

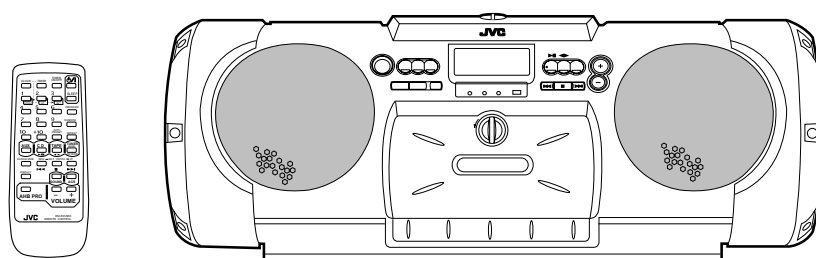
# JVC

# SERVICE MANUAL

CD PORTABLE SYSTEM

## RV-B550BU

### Supplement



COMPACT  
**disc**  
DIGITAL AUDIO

Area Suffix  
UY ..... Argentina

**This service manual adds UY version to the service manual (RV-B550BU No.20826) previously issued.**

## Contents

Safety precautions .....	1-2	Adjustment method .....	1-15
Importance administering point on the safety .....	1-3	Flow of functional operation until TOC read .....	1-19
Important for laser products .....	1-4	Maintenance of laser pickup .....	1-20
Preventing static electricity .....	1-5	Replacement of laser pickup .....	1-20
Disassembly method .....	1-6	Description of major ICs .....	1-21~29

## Safety precautions

1. This design of this product contains special hardware and many circuits and components specially for safety purposes. For continued protection, no changes should be made to the original design unless authorized in writing by the manufacturer. Replacement parts must be identical to those used in the original circuits. Services should be performed by qualified personnel only.
2. Alterations of the design or circuitry of the product should not be made. Any design alterations of the product should not be made. Any design alterations or additions will void the manufacturer's warranty and will further relieve the manufacture of responsibility for personal injury or property damage resulting therefrom.
3. Many electrical and mechanical parts in the products have special safety-related characteristics. These characteristics are often not evident from visual inspection nor can the protection afforded by them necessarily be obtained by using replacement components rated for higher voltage, wattage, etc. Replacement parts which have these special safety characteristics are identified in the Parts List of Service Manual. Electrical components having such features are identified by shading on the schematics and by ( $\triangle$ ) on the Parts List in the Service Manual. The use of a substitute replacement which does not have the same safety characteristics as the recommended replacement parts shown in the Parts List of Service Manual may create shock, fire, or other hazards.
4. The leads in the products are routed and dressed with ties, clamps, tubings, barriers and the like to be separated from live parts, high temperature parts, moving parts and/or sharp edges for the prevention of electric shock and fire hazard. When service is required, the original lead routing and dress should be observed, and it should be confirmed that they have been returned to normal, after re-assembling.
5. Leakage current check (Electrical shock hazard testing)  
After re-assembling the product, always perform an isolation check on the exposed metal parts of the product (antenna terminals, knobs, metal cabinet, screw heads, headphone jack, control shafts, etc.) to be sure the product is safe to operate without danger of electrical shock. Do not use a line isolation transformer during this check.

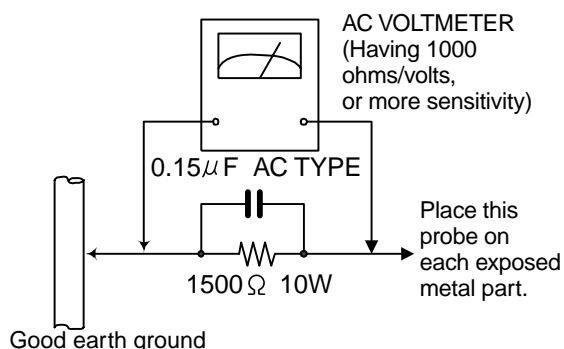
- Plug the AC line cord directly into the AC outlet. Using a "Leakage Current Tester", measure the leakage current from each exposed metal parts of the cabinet, particularly any exposed metal part having a return path to the chassis, to a known good earth ground. Any leakage current must not exceed 0.5mA AC (r.m.s.)

- Alternate check method

Plug the AC line cord directly into the AC outlet. Use an AC voltmeter having 1,000 ohms per volt or more sensitivity in the following manner. Connect a 1,500 $\Omega$  10W resistor paralleled by a 0.15 $\mu$ F AC-type capacitor between an exposed metal part and a known good earth ground.

Measure the AC voltage across the resistor with the AC voltmeter.

Move the resistor connection to each exposed metal part, particularly any exposed metal part having a return path to the chassis, and measure the AC voltage across the resistor. Now, reverse the plug in the AC outlet and repeat each measurement. Voltage measured any must not exceed 0.75 V AC (r.m.s.). This corresponds to 0.5 mA AC (r.m.s.).

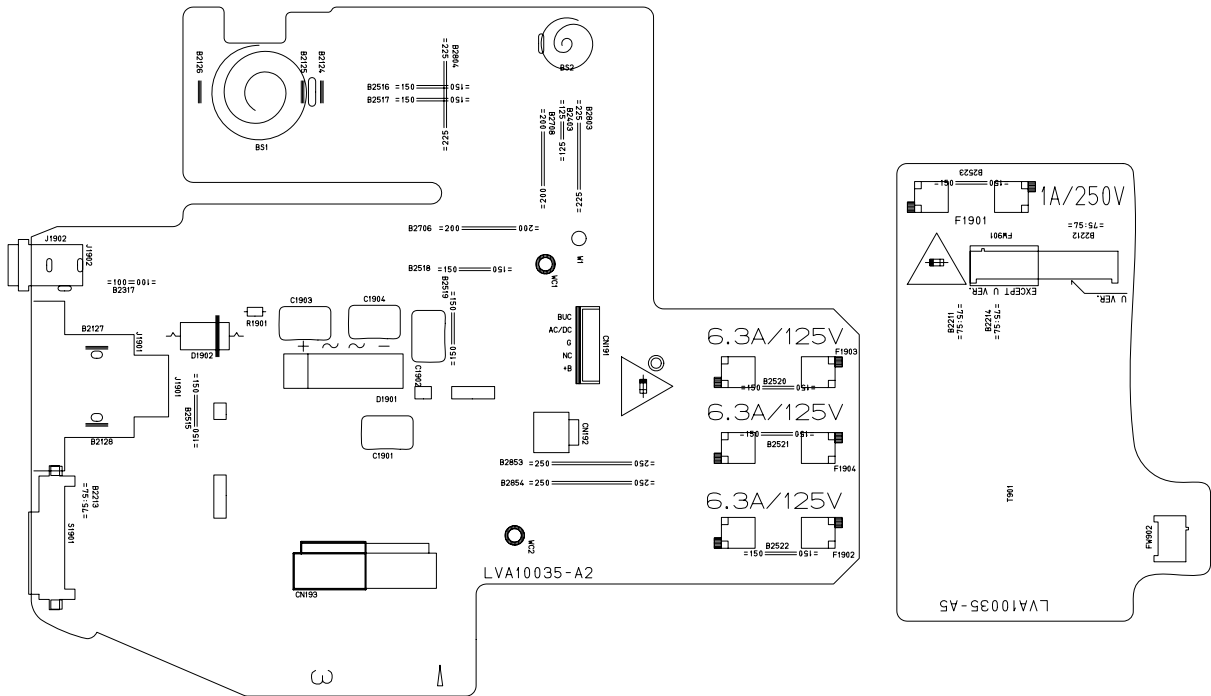


## Warning

1. This equipment has been designed and manufactured to meet international safety standards.
2. It is the legal responsibility of the repairer to ensure that these safety standards are maintained.
3. Repairs must be made in accordance with the relevant safety standards.
4. It is essential that safety critical components are replaced by approved parts.
5. If mains voltage selector is provided, check setting for local voltage.

**CAUTION** Burrs formed during molding may be left over on some parts of the chassis. Therefore, pay attention to such burrs in the case of preforming repair of this system.

# Importance administering point on the safety



Note : It's means "J" for U.S.A. and Canada market model.

<b>RV-B550J ONLY</b>
<b>Full Fuse Replacement Marking</b>
Graphic symbol mark (This symbol means fast blow type fuse.)
should be read as follows ;
<b>FUSE CAUTION</b>
<b>FOR CONTINUED PROTECTION AGAINST RISK OF FIRE, REPLACE ONLY WITH SAME TYPE AND RATING OF FUSES ;</b>
<b>F1901 : 1.0-A, 250-V</b> <b>F1902 : 6.3-A, 125-V</b> <b>F1903 : 6.3-A, 125-V</b> <b>F1904 : 6.3-A, 125-V</b>

<b>RV-B550J SEULEMENT</b>
<b>Marquage Pour Le Remplacement Complet De Fusible</b>
Le symbole graphique (Ce symbole signifie fusible de type à fusion rapide.)
doit être interprété comme suit ;
<b>PRECAUTIONS SUR LES FUSIBLES</b>
<b>POUR UNE PROTECTION CONTINUE CONTRE DES RISQUES D'INCENDIE, REMPLACER SEULEMENT PAR UN FUSIBLE DU MEME TYPE ;</b>
<b>F1901 : 1.0-A, 250-V</b> <b>F1902 : 6.3-A, 125-V</b> <b>F1903 : 6.3-A, 125-V</b> <b>F1904 : 6.3-A, 125-V</b>

## Important for laser products

### 1. CLASS 1 LASER PRODUCT

**2. DANGER :** Invisible laser radiation when open and interlock failed or defeated. Avoid direct exposure to beam.

**3. CAUTION :** There are no serviceable parts inside the Laser Unit. Do not disassemble the Laser Unit. Replace the complete Laser Unit if it malfunctions.

**4. CAUTION :** The compact disc player uses invisible laser radiation and is equipped with safety switches which prevent emission of radiation when the drawer is open and the safety interlocks have failed or are defeated. It is dangerous to defeat the safety switches.

**5. CAUTION :** If safety switches malfunction, the laser is able to function.

**6. CAUTION :** Use of controls, adjustments or performance of procedures other than those specified herein may result in hazardous radiation exposure.



**CAUTION** Please use enough caution not to see the beam directly or touch it in case of an adjustment or operation check.

**VARNING :** Osynlig laserstrålning är denna del är öppnad och spårren är urkopplad. Betrakta ej strålen.

**VARO :** Avattaessa ja suojalukitus ohitettaessa olet alttiina näkymättömälle lasersäteilylle. Älä katso säteeseen.

**ADVARSEL :** Usynlig laserstrålning ved åbning , når sikkerhedsafbrydere er ude af funktion. Undgå udsættelse for stråling.

**ADVARSEL :** Usynlig laserstrålning ved åbning, når sikkerhedsbryteren er avslott. unngå utsettelse for stråling.

## REPRODUCTION AND POSITION OF LABELS

### WARNING LABEL

CLASS 1  
LASER PRODUCT

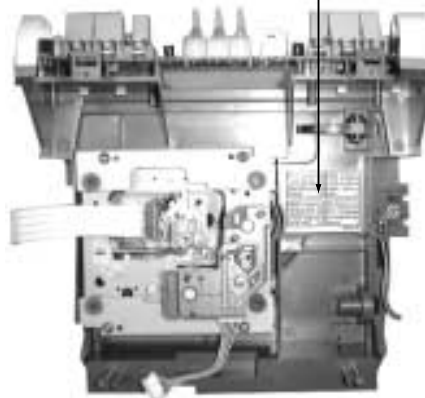


DANGER : Invisible laser radiation when open and interlock or defeated.  
AVOID DIRECT EXPOSURE TO BEAM (e)

VARO : Avattaessa ja suojalukitus ohitettaessa olet alttiina näkymättömälle lasersäteilylle. Älä katso säteeseen. (d)

VARNING : Osynlig laserstrålning är denna del är öppnad och spårren är urkopplad. Betrakta ej strålen. (s)

ADVARSEL : Usynlig laserstrålning ved åbning , når sikkerhedsafbrydere er ude af funktion. Undgå udsættelse for stråling. (f)



## Preventing static electricity

### 1. Grounding to prevent damage by static electricity

Electrostatic discharge (ESD), which occurs when static electricity stored in the body, fabric, etc. is discharged, can destroy the laser diode in the traverse unit (optical pickup). Take care to prevent this when performing repairs.

### 2. About the earth processing for the destruction prevention by static electricity

In the equipment which uses optical pick-up (laser diode), optical pick-up is destroyed by the static electricity of the work environment.

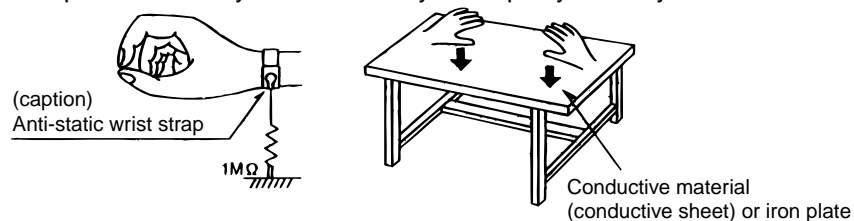
Be careful to use proper grounding in the area where repairs are being performed.

#### 2-1 Ground the workbench

Ground the workbench by laying conductive material (such as a conductive sheet) or an iron plate over it before placing the traverse unit (optical pickup) on it.

#### 2-2 Ground yourself

Use an anti-static wrist strap to release any static electricity built up in your body.



## 3. Handling the optical pickup

- In order to maintain quality during transport and before installation, both sides of the laser diode on the replacement optical pickup are shorted. After replacement, return the shorted parts to their original condition. (Refer to the text.)
- Do not use a tester to check the condition of the laser diode in the optical pickup. The tester's internal power source can easily destroy the laser diode.

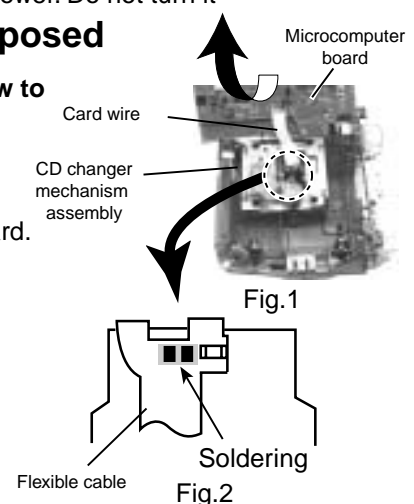
## 4. Handling the traverse unit (optical pickup)

- Do not subject the traverse unit (optical pickup) to strong shocks, as it is a sensitive, complex unit.
- Cut off the shorted part of the flexible cable using nippers, etc. after replacing the optical pickup. For specific details, refer to the replacement procedure in the text. Remove the anti-static pin when replacing the traverse unit. Be careful not to take too long a time when attaching it to the connector.
- Handle the flexible cable carefully as it may break when subjected to strong force.
- It is not possible to adjust the semi-fixed resistor that adjusts the laser power. Do not turn it

## Attention when CD mechanism assembly is decomposed

**\*Please refer to "Disassembly method" in the text for pick-up and how to detach the CD mechanism.**

- Remove CD mechanism assembly.
- Remove the four screws on the microcomputer board.
- Disconnect the connector CN907 and CN602 on the microcomputer board.
- The microcomputer board is put up as shown in Fig.1.
- Solder is put up before the card wire is removed from connector CN601 on the microcomputer board as shown in Fig. 2.  
(When the wire is removed without putting up solder, the CD pick-up assembly might destroy.)
- Please remove solder after connecting the card wire with CN601 when you install picking up in the substrate.



## Disassembly method

<Main Body>

### ■ Removing the side grilles

(See Fig.1 and 2)

1. Remove the six screws **A** attaching the side grille on the left side of the body and pull out the side grille from the body.
2. Similarly, remove the side grille on the right side.

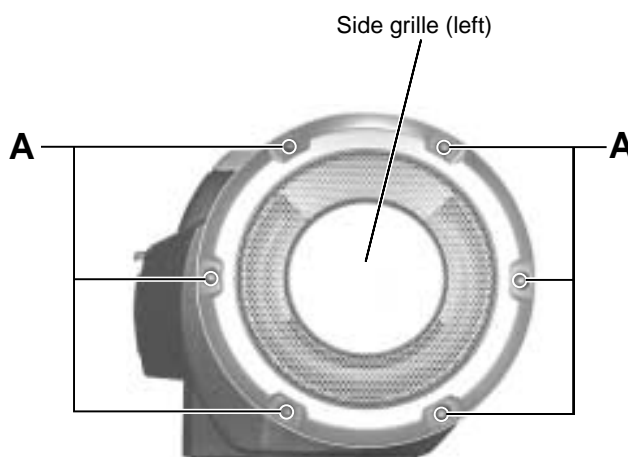


Fig.1

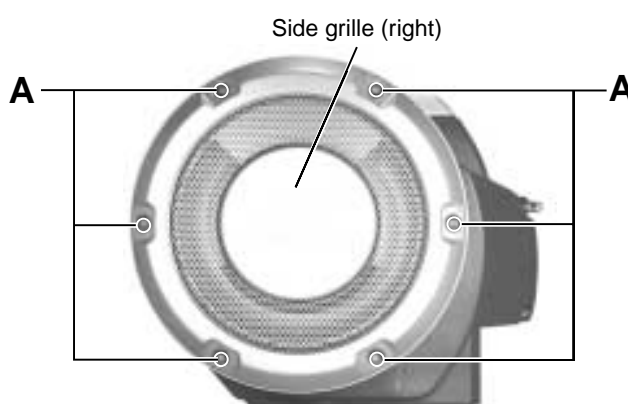


Fig.2

### ■ Removing the front cabinet assembly and the rear cabinet assembly (See Fig.3 and 3a)

- Prior to performing the following procedure, remove the right and left side grilles.

1. Remove the battery cover on the back of the body.
2. Remove the eight screws **B** on the back of the body and detach the front cabinet assembly and the rear cabinet assembly. Disconnect the connector CN904 on the LED (Illumination) board.

Attention: When reassembling, make sure that connector CN633 on the rear cabinet is connected to the speaker terminal on the front cabinet.

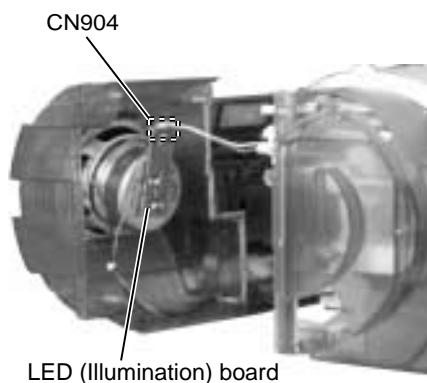


Fig.3a

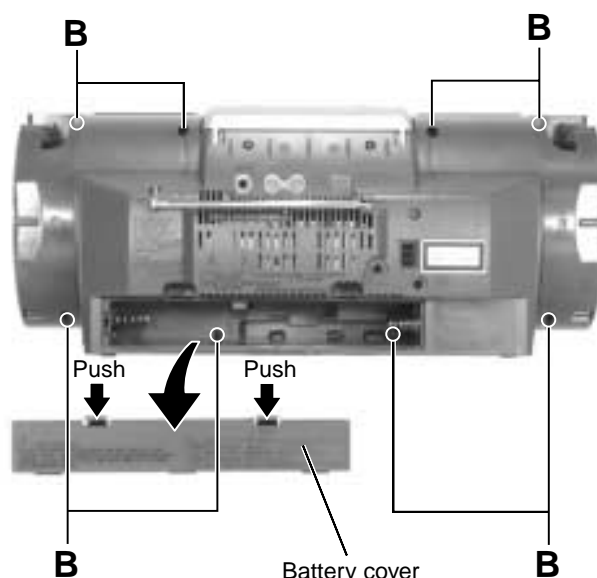
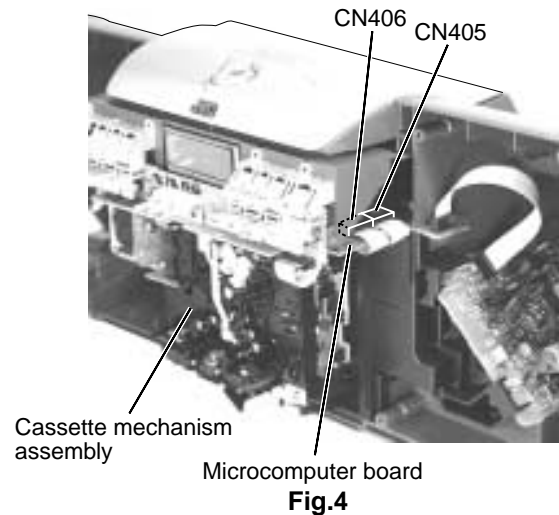


Fig.3

## ■ Removing the cassette mechanism assembly (See Fig.4 and 5)

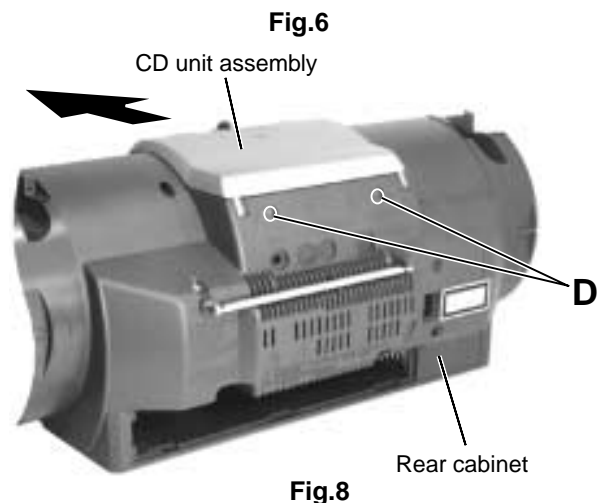
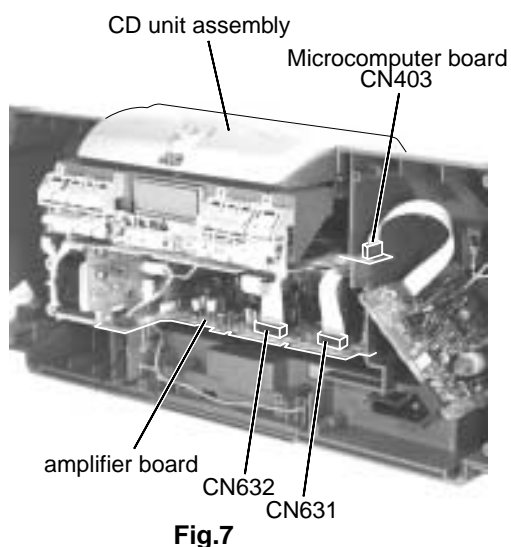
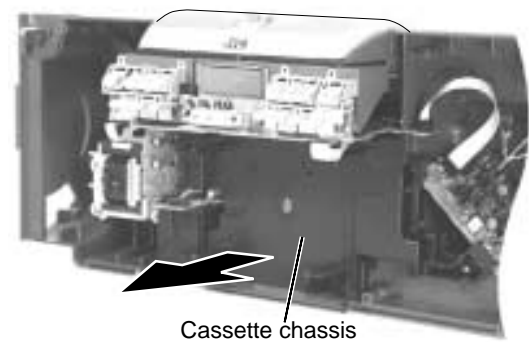
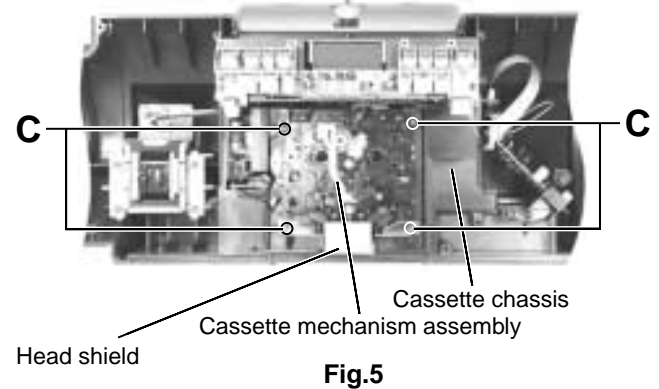
- Prior to performing the following procedure, remove the right and left side grilles and the front cabinet assembly.
1. Disconnect the card wires from connector CN405 and CN406 on the microcomputer board located on the underside of the CD unit of the rear cabinet assembly.
  2. Remove the four screws **C** attaching head shield and the cassette mechanism assembly.



## ■ Removing the CD unit assembly (See Fig.6 to 8)

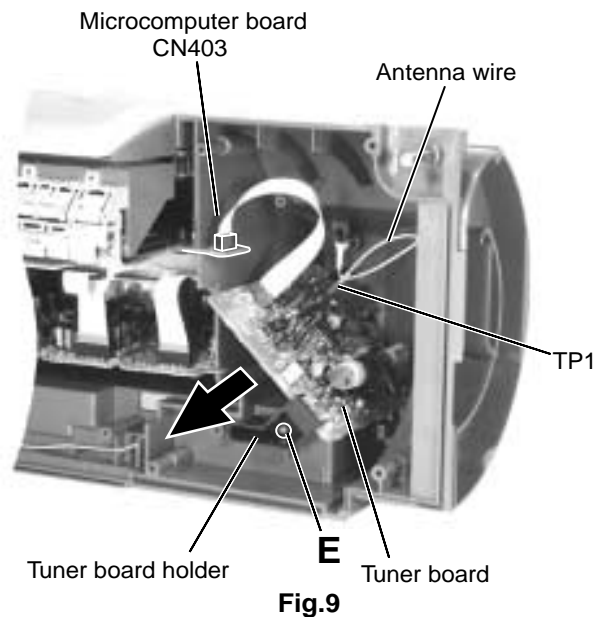
※ The CD unit assembly cannot be removed if the cassette mechanism assembly has not been removed.

- Prior to performing the following procedure, remove the right and left side grilles, the front cabinet assembly and the cassette mechanism assembly.
1. Remove the cassette chassis (See Fig.6).
  2. Disconnect the card wires from connector CN631 and CN632 on the amplifier board.
  3. Disconnect the card wires from connector CN403 on the microcomputer board.
  4. Remove the two screws **D** attaching the CD mechanism assembly on the back of the rear cabinet (See Fig.8).
  5. Pull out the CD unit assembly toward the front.



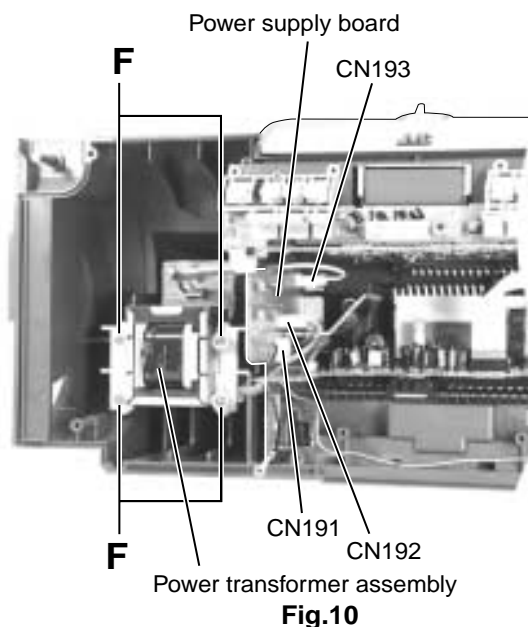
**■ Removing the tuner board (See Fig.9)**

- Prior to performing the following procedure, remove the right and left side grilles, the front cabinet assembly.
1. Disconnect the card wire from connector CN403 on the microcomputer board.
  2. Remove the screw **E** attaching the tuner board holder and pull out the tuner board holder together with the tuner board. Disconnect the antenna wire from TP1.



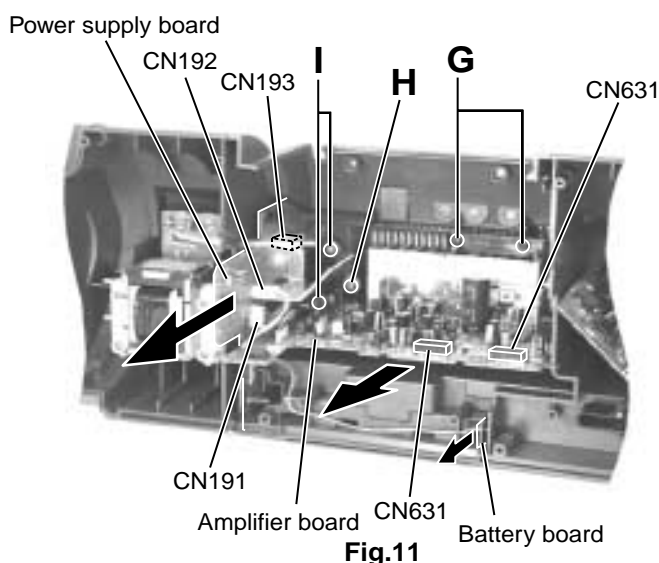
**■ Remove the power transformer assembly (See Fig.10)**

- Prior to performing the following procedure, remove the right and left side grilles, the front cabinet assembly, the cassette mechanism assembly and the cassette chassis.
1. Disconnect the harness from connector CN192 and CN193 on the power supply board respectively.
  2. Remove the four screws **F** attaching the power transformer assembly.



**■ Remove the amplifier board, the power supply board and the battery board (See Fig.11)**

- Prior to performing the following procedure, remove the right and left side grilles, the front cabinet assembly, the cassette mechanism assembly, the cassette chassis and the CD unit assembly.
1. Disconnect the 5pin harness from connector CN191 on the power supply board.
  2. Remove the two screws **G** and the one screw **H** attaching the amplifier board.
  3. Disconnect the harness from connector CN192 and CN193 on the power supply board respectively.
  4. Remove the two screws **I** attaching the power supply board.
  5. Pull out the battery board.





<CD unit assembly>

■ Removing the microcomputer board

(See Fig.12 and 13)

1. Disconnect the card wire from connector CN251 and CN252 on the key switch board on the front side of the CD unit assembly.
2. Remove the four screws **J** attaching the microcomputer board on the underside of the CD unit assembly.
3. Disconnect the card wire or the harness from connector CN601, CN602 and CN907 on the microcomputer board respectively.

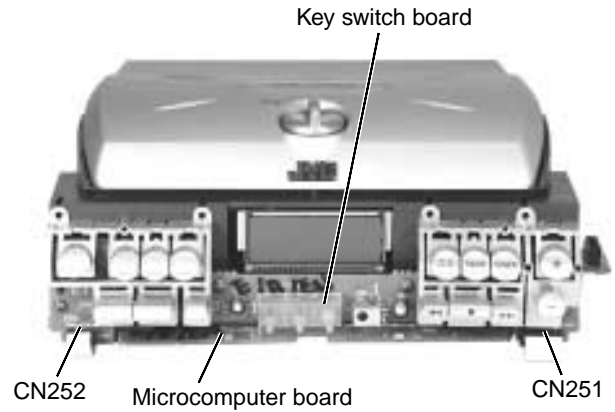


Fig.12

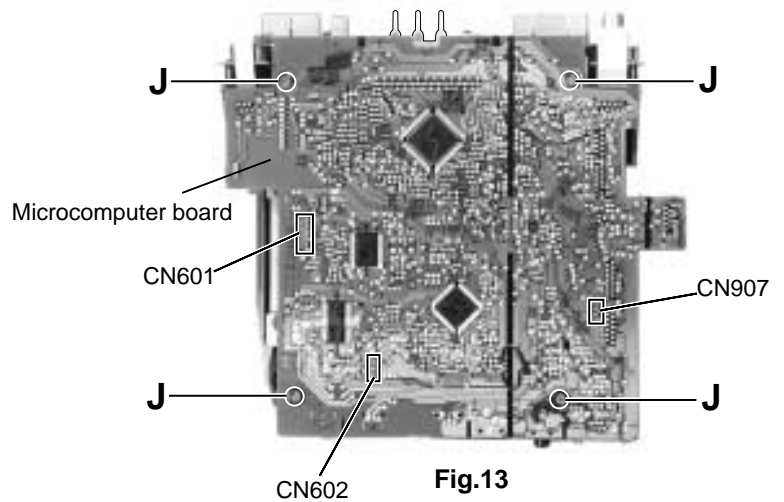


Fig.13

■ Removing the key switch board

(See Fig.14 and 15)

- Prior to performing the following procedure, remove the microcomputer board.

1. Release the four tabs **a** fixing the right and left function buttons and the three tabs **b** by the key switch board.

Push tabs **a** and **b** in the directions of the arrows carefully not to damage the function buttons

2. Remove the six screws **K** attaching the key switch board.

3. Pull out the key switch board from two tabs **c**.

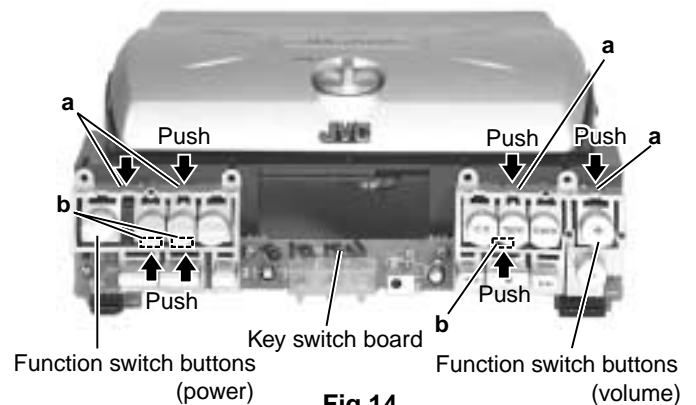


Fig.14

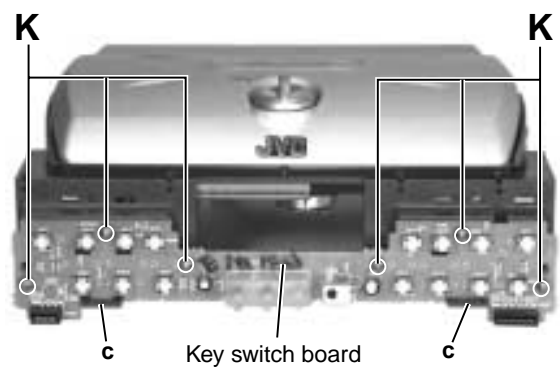
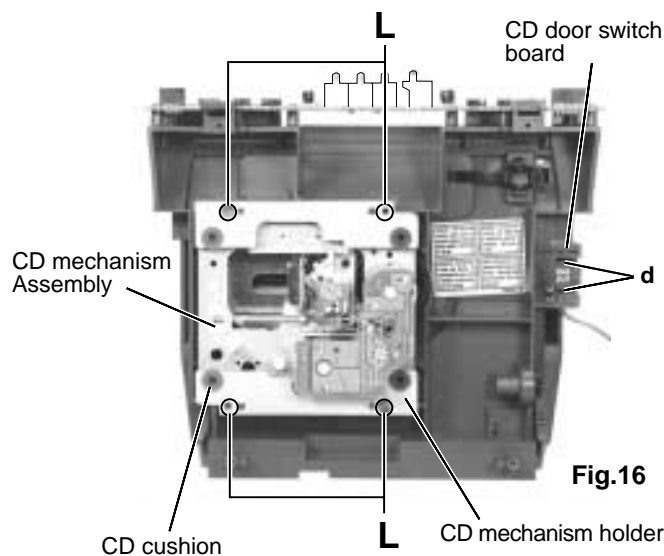


Fig.15

**■ Removing the CD door switch board**  
(See Fig.16)

- Prior to performing the following procedure, remove the microcomputer board.

1. Release the two tabs **d** fixing the CD door switch board on the back of the CD unit assembly.



**■ Removing the CD mechanism assembly**  
(See Fig.16)

- Prior to performing the following procedure, remove the microcomputer board.

1. Remove the four screws **L** attaching the CD mechanism holder on the back of the CD unit assembly.
2. Remove the CD mechanism holder, the CD cushion and the CD mechanism assembly respectively.

**■ Removing the pickup assembly**  
(See Fig.17 to 19)

- Prior to performing the following procedure, remove the CD mechanism assembly.

1. Remove the four screws **M** attaching the pickup cover.
2. Push the shaft stopper by the turn table in the direction of the arrow and pull out the shaft. The pickup assembly comes off.

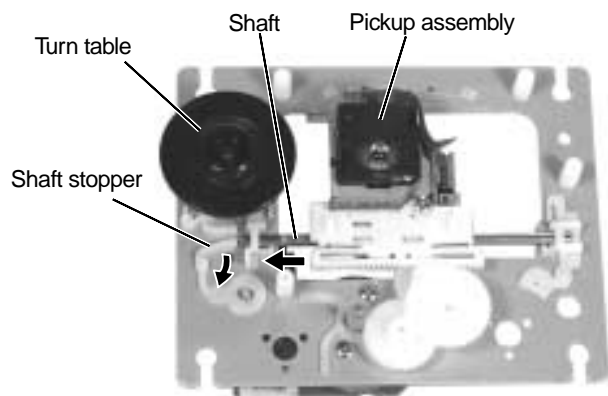
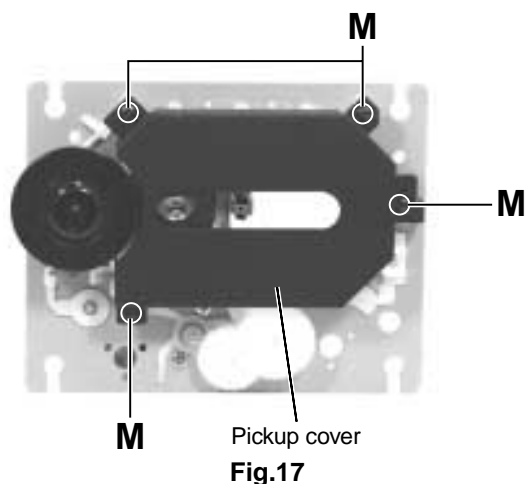


Fig.18

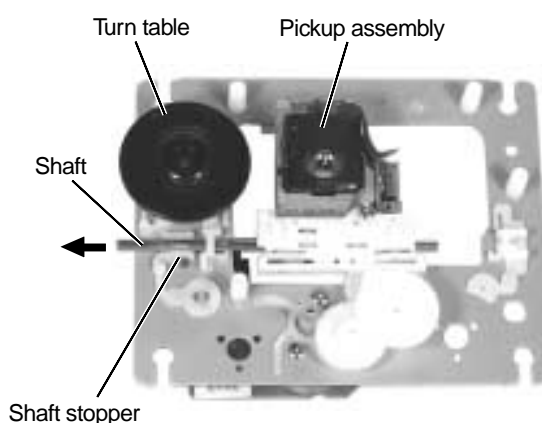


Fig.19

## &lt;Front Cabinet Assembly&gt;

## ■ Removing the LED boards (See Fig.20)

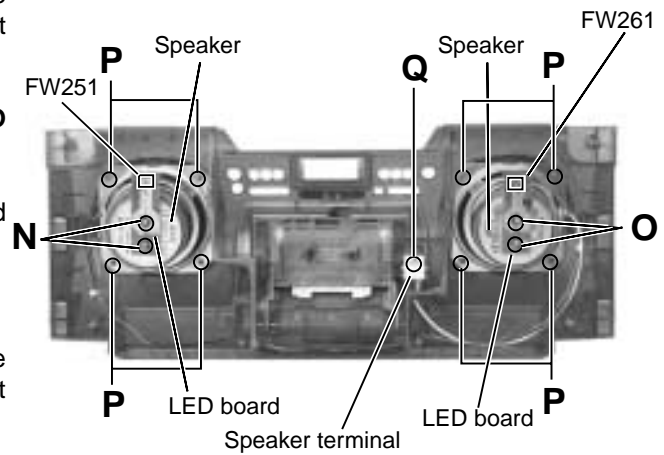
- Prior to performing the following procedure, remove the front cabinet assembly and the rear cabinet assembly.

1. Remove the two screws **N** and two screws **O** attaching the LED boards on the speaker.
2. Disconnect the harness from connector FW251 and FW261.

## ■ Removing the speakers (See Fig.20)

- Prior to performing the following procedure, remove the front cabinet assembly and the rear cabinet assembly.

1. Remove the eight screws **P** attaching the right and left speakers on the inside of the front cabinet assembly.
2. Remove the screw **Q** attaching the speaker terminal.



<<Cassette mechanism section>>

■ Removing the playback/recording & eraser head ( See Figs. 1 and 2 )

1. While shifting the trigger arms seen on the right side of the head mount in the arrow direction, turn the flywheel R in counterclockwise direction until the head mount has gone out with a click (See Fig. 1).
2. When the flywheel R is rotated in counterclockwise direction, the playback/recording & eraser head will be turned in counterclockwise direction from the position in Fig. 2 to that in Fig. 3.
3. At this position, disconnect the flexible P.C. board (outgoing from the playback/recording & eraser head) from the connector CN31 on the head amplifier & mechanism control P.C. board.
4. After dismounting the FPC holder, remove the flexible P.C. board.
5. Remove the flexible P.C. board from the chassis base.
6. Remove the spring a from behind the playback/recording & eraser head.
7. Loosen the reversing azimuth screw retaining the playback /recording & eraser head.
8. Take out the playback/recording & eraser head from the front of the head mount.
9. The playback/recoring & eraser head should also be removed similarly according to Steps 1 ~ 8 above.

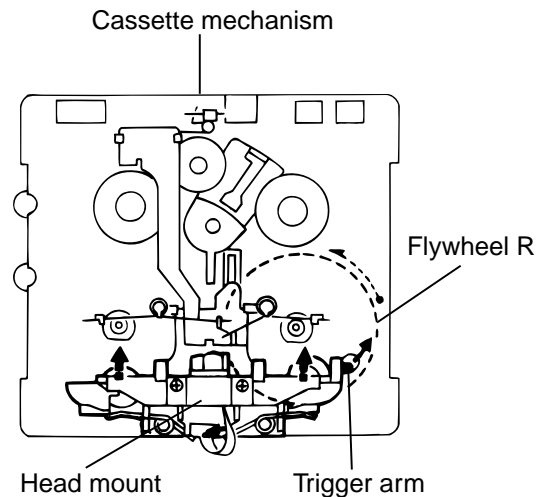


Fig. 1

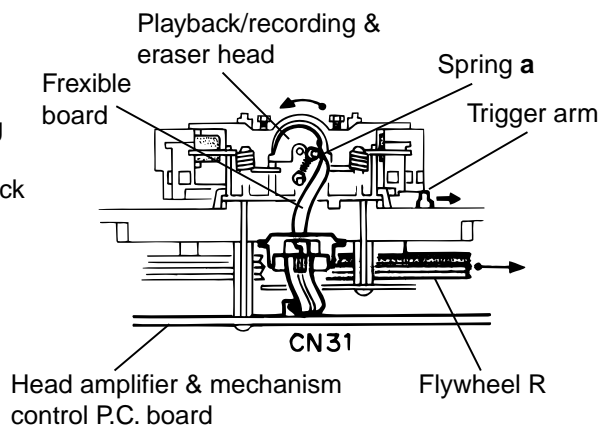


Fig. 2

■ Reassembling the playback/recording & eraser head

1. Reassemble the playback head from the front of the head mount to the position as shown in Fig. 3.
2. Fix the reversing azimuth screw.
3. Set the spring a from behind the Playback/Recording & Eraser head.
4. Attach the flexible P.C. board to the chassis base, and fix it with the FPC holder as shown in Fig. 3.
5. The playback/recording & eraser head should also be reassembled similarly to Step 1 ~ 4 above.

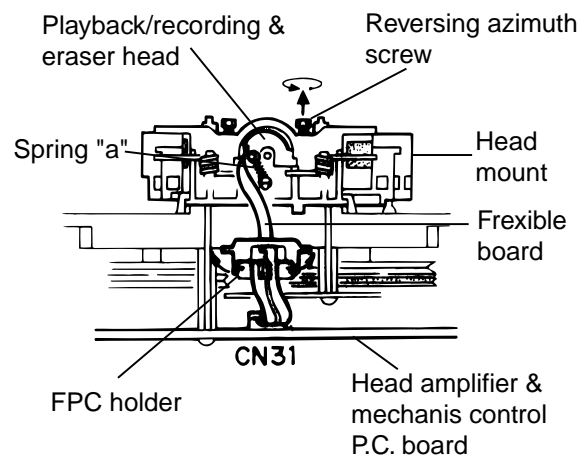
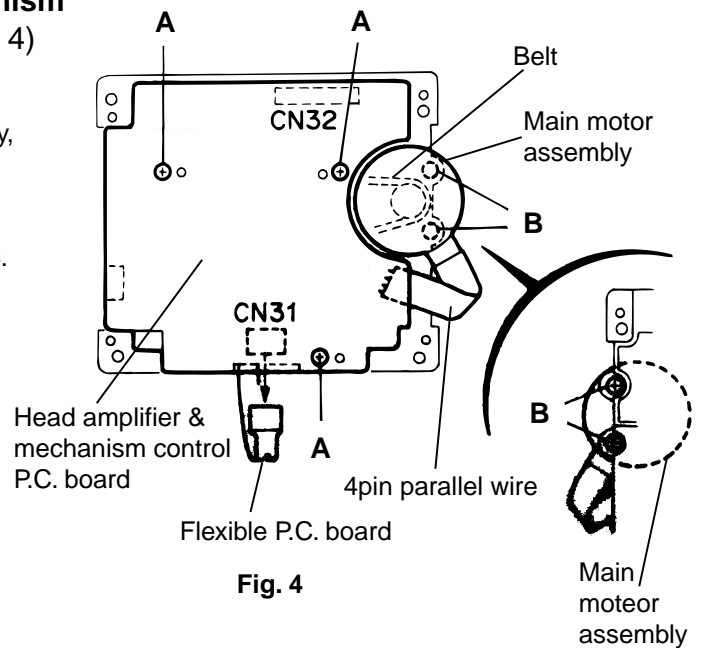


Fig. 3

## ■ Removing the head amplifier & mechanism control P.C. board (See Fig. 4)

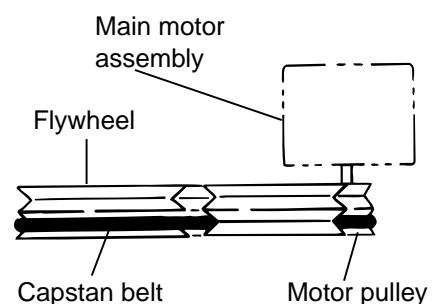
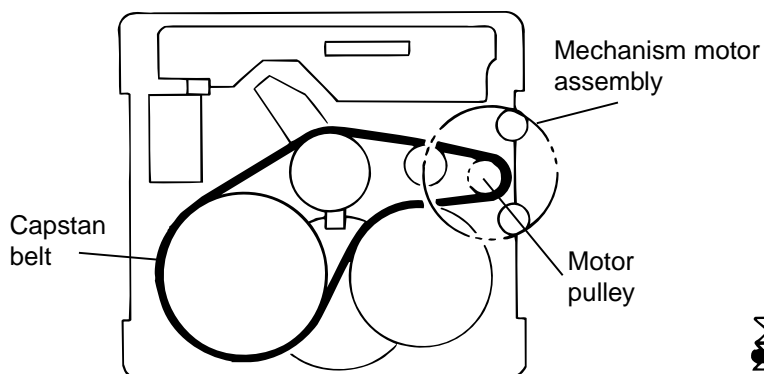
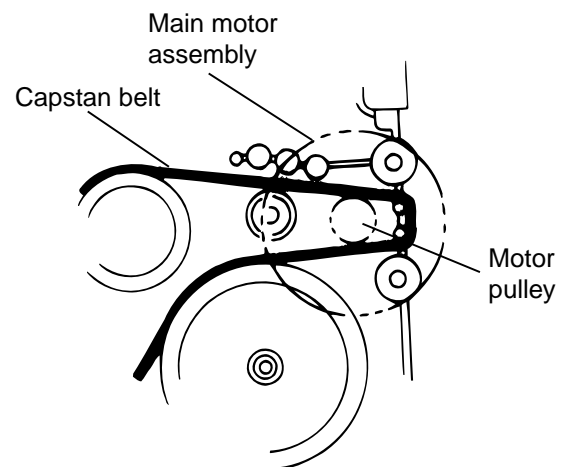
1. Remove the cassette mechanism assembly.
2. After turning over the cassette mechanism assembly, remove the three screws **A** retaining the head amplifier & mechanism control P.C. board.
3. Disconnect the connector CN32 on the P.C. board including the connector CN 1 on the reel pulse P.C. board.
4. When necessary, remove the 4 pin parallel wire soldered to the main motor.



## ■ Removing the main motor assembly (See Fig. 4~6)

1. Remove the two screws **B** retaining the main motor assembly (See Fig. 4, 4a).
2. While raising the main motor, remove the capstan belt from the motor pulley (See Fig. 4a).

**Caution 1:** Be sure to handle the capstan belt so carefully that this belt will not be stained by grease and other foreign matter. Moreover, this belt should be hung while referring to the capstan belt hanging method in Fig. 5, 6.



■ **Removing the flywheel**

(See Figs. 7 and 8)

1. Remove the head amplifier & mechanism control P.C. board.
2. Remove the main motor assembly.
3. After turning over the cassette mechanism, remove the slit washers **b** and **c** fixing the capstan shafts R and L, and pull out the flywheel R and L respectively from behind the cassette mechanism.

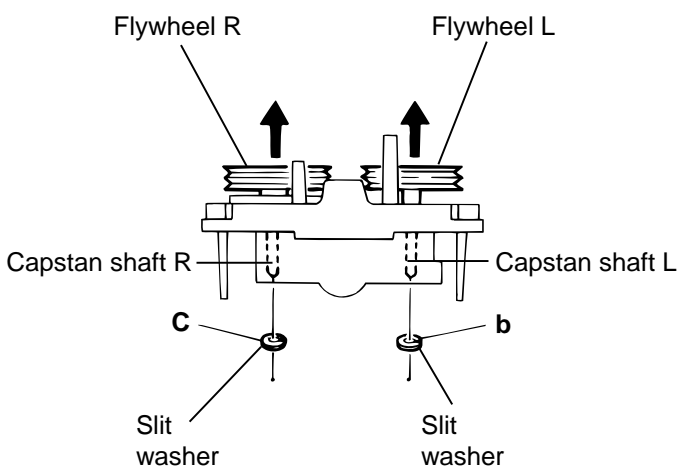
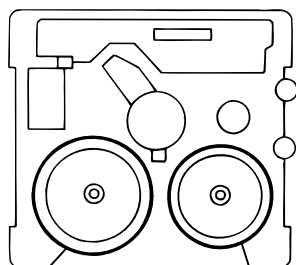


Fig.7



Flywheel R Flywheel L

Fig. 8

■ **Removing the reel pulse P.C. board and solenoid**

(See Fig. 9)

1. Remove the five pawls **d~h** and screw **C** retaining the reel pulse P.C. board.
2. From the surface of the reel pulse P.C. board parts, remove the two pawls **i** and **j** retaining the solenoid.

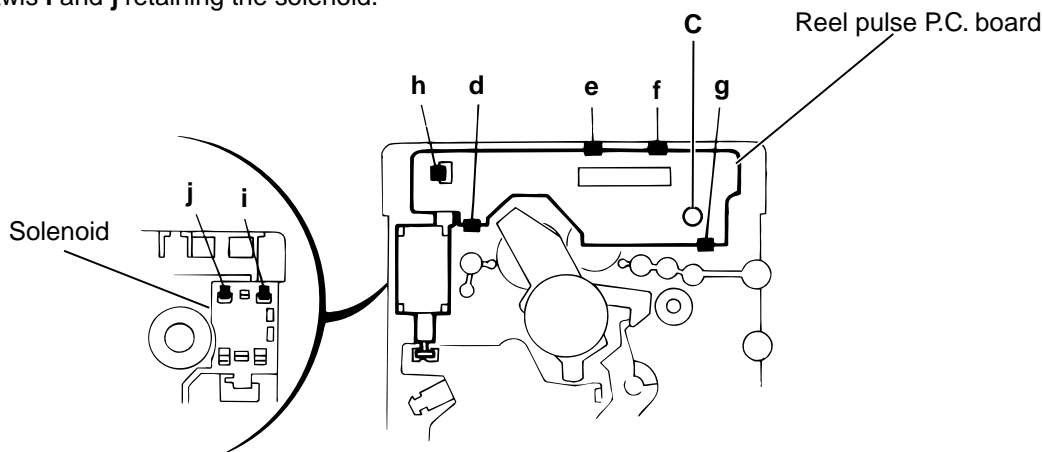


Fig. 9

## Adjustment method

### ■ Measuring devices necessary for adjustment

1. Low-frequency oscillator  
It must have the ability to output 600ohm from 0 dBs at an oscillation frequency of 20 Hz – 50 Hz.
2. Attenuator impedance: 600ohm
3. Electronic voltmeter
4. Distortion meter
5. Frequency counter
6. Wow and flutter meter
7. Test tapes  
VT-712: tape speed and rotational distortion (3 kHz)  
VT-724: standard level (1 kHz)  
VT-703: head angle adjustment (10 kHz),  
or use VT-73  
VT-739: reproduction of frequency characteristics  
(1 kHz, 63 Hz, 10 kHz)
8. Blank tape  
Type I : AC-225 (TDK-AD)  
Type II : AC-514 (TDK-SA)
9. Torque gauge: Tension gauge for playback,  
fast-forward and rewind.  
FWD (TW211A), REW (TW212A)  
and FF/REW (TW2231A)

### ■ Specifications for measurement

Power supply voltage ..... AC 100 V (50/60 Hz)  
Standard output ..... Speaker: 0.775V/4ohm  
Headphone: 0.245V/32ohm  
Standard frequency and input level  
..... 1 kHz: AUX: -8 dBs  
Input level for reproduction of recording characteristics  
..... AUX: -28 dBs  
Measuring output terminal ..... Speaker: CN633  
Load resistance ..... 4ohm

### ■ Radio input signal

AM frequency ..... 400 Hz  
Degree of modulation in AM band ..... 30%  
FM frequency ..... 400 Hz  
Frequency deviation in FM band ..... 22.5 kHz

### ■ Tuner section

Voltage input to the tuner ..... +B: DC 5.7 V  
VT: DC 12 V  
Standard measuring output ..... 26.1 mV (0.28 V) /3ohm  
Input locations ..... AM: standard loop antenna  
FM: TP1 (hot) and TP2 (GND)

### ■ Standard settings for measuring volume

Sound ..... OFF  
Effective hyper bass ..... OFF  
Volume adjustment ..... VOL. 23

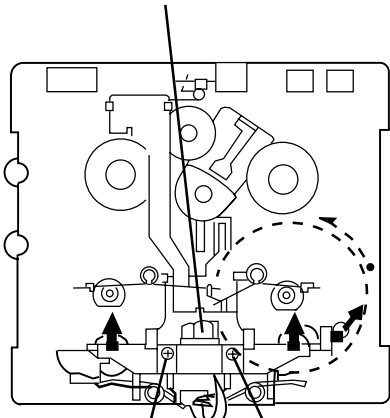
### Precautions for measuring

1. Input 30 pF and 33 kohm to the IF sweeper output and 0.082  $\mu$ F and 100 kohm to the sweeper input, respectively.
2. Lower the output level of the IF sweeper as much as possible in the adjustable range.
3. The IF sweeper needs no adjustment as it is a fixed component.
4. It is not necessary to perform any kind of adjustment on the MPX, as a ceramic oscillator is used for measuring.
5. FM tracking adjustment is not necessary as a fixed coil is used.
6. The grounding circuit is separate from the input and output. Therefore, be sure to connect to ground carefully when measuring both the input and output voltages simultaneously using 2 channels of the electronic voltmeter.
7. The speaker's minus terminal cannot be connected to ground when using a BTL format amplifier. Therefore, do not connect any type of ground wire to this terminal. The OTL format is used with this system.
8. Use a large wire to connect to the dummy impedance generator when measuring the output.
9. Be sure to use a band pass filter (DV-12) when using mixed tape.

**Location of parts to be adjusted**

■ **Cassette handling mechanism**

Head for recording, playing and erasing the tape



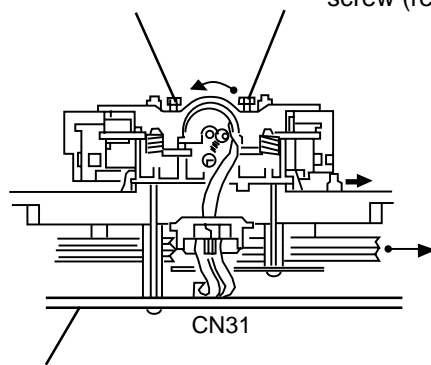
Head azimuth adjusting screw (fast-forward)

Head azimuth adjusting screw (rewind)

■ **Cassette handling mechanism (reverse side)**

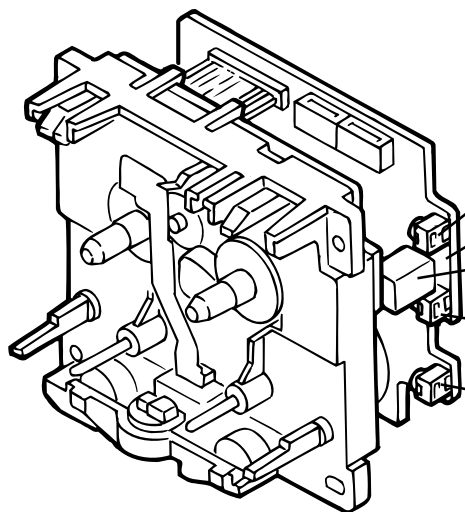
Head azimuth adjusting screw (fast-forward)

Head azimuth adjusting screw (rewind)



Head for recording, playing and erasing the tape

■ **Location of parts to be adjusted**



VR37  
Motor speed

TP  
Bias oscillation frequency (wide pattern)

L301  
Bias oscillation frequency

VR31  
Lch recording frequency (bias adjustment)

VR32  
Rch recording frequency (bias adjustment)



## ■ Adjustment of cassette handling mechanism

Items	Condition	Method for adjustment and confirmation	Standard value	Parts to be adjusted
Confirmation of head angle	Test tape: VT-703 (10 kHz) Measuring output terminal: Speaker terminal, speaker (R) (Load resistance: 4Ω), headphone terminal	(1) Play back the VT-703 test tape. (2) Adjust the head azimuth screws so that the tape playback mechanism records the maximum output level in both the fast-forward and rewind direction. (3) In all cases, both the fast-forward and rewind direction should be adjusted using head azimuth screws.	Maximum output	Adjust the head azimuth screws when changing the head.
Confirmation of tape speed	Test tape: VT-712 (3 kHz) Measuring output terminal: Headphone terminal	Adjust VR37 so that the frequency counter records 3,015 Hz $\pm$ 15 Hz when playing back the end of the VT-712 test tape (3 kHz) in the fast-forward direction.	Tape speed of cassette deck: 3,015 Hz $\pm$ 15 Hz	VR37

## ■ Items to be confirmed and standard values

Items	Condition	Method for adjustment and confirmation	Standard value	Parts to be adjusted
Difference in speed between fast-forward and rewind	Test tape: VT-712 (3 kHz) Measuring output terminal: Speaker terminal, speaker (R) (Load resistance: 4 ), headphone terminal	The difference between fast-forward and rewind should be less than 60 Hz on the frequency counter when playing back the beginning of the VT-712 test tape (3 kHz) in both directions.	Less than 60 Hz	Should be confirmed when changing the motor.
Wow and flutter	Test tape: VT-712 (3 kHz) Measuring output terminal: Headphone terminal	Wow and flutter should be recorded at less than 0.25% (WRMS) when playing back the VT-712 test tape (3 kHz) in the fast-forward direction.	Less than 0.25% (WRMS)	

## ■ Electronic performance

Items	Condition	Method for adjustment and confirmation	Standard value	Parts to be adjusted
Confirmation of output	Measuring output terminal: CN34-5 or 7-terminal preamp base Test tape: VT-724	Confirm that the output from the CN34-5 or 7-terminal preamp base connector is -25 dBs $\pm$ 3 dB when playing back the VT-724 test tape. Reference value: The output from the headphone terminal is -7 dB $\pm$ 4 dB.	Output of CN34-5 terminal: -25 dBs $\pm$ 3 dB Difference between Lch and Rch: within 3 dB	
Confirmation of reproduction of frequency characteristics	Measuring output terminal: Headphone terminal Test tape: VT-739	Confirm that the 10 kHz reproduction level is -1 dB $\pm$ 5 dB compared to the 1 kHz reproduction level when playing back the VT-739 test tape.	Difference between 10 kHz and 1 kHz should be -1 dB $\pm$ 5 dB.	
Recording bias frequency	Fast-forward or rewind direction: Test tape: TYPE II (AC-514) Measuring terminal: Bias TP on the base	Switch the bias (beat cut switch) between 1 and 2 to confirm that the frequency changes. Load the test tape (AC-514 for TYPE II) into the mechanism and preset it to the record-pause mode. Confirm that the bias TP frequency on the base is 100 kHz $\pm$ 6 kHz.	100 kHz $\pm$ 6 kHz	

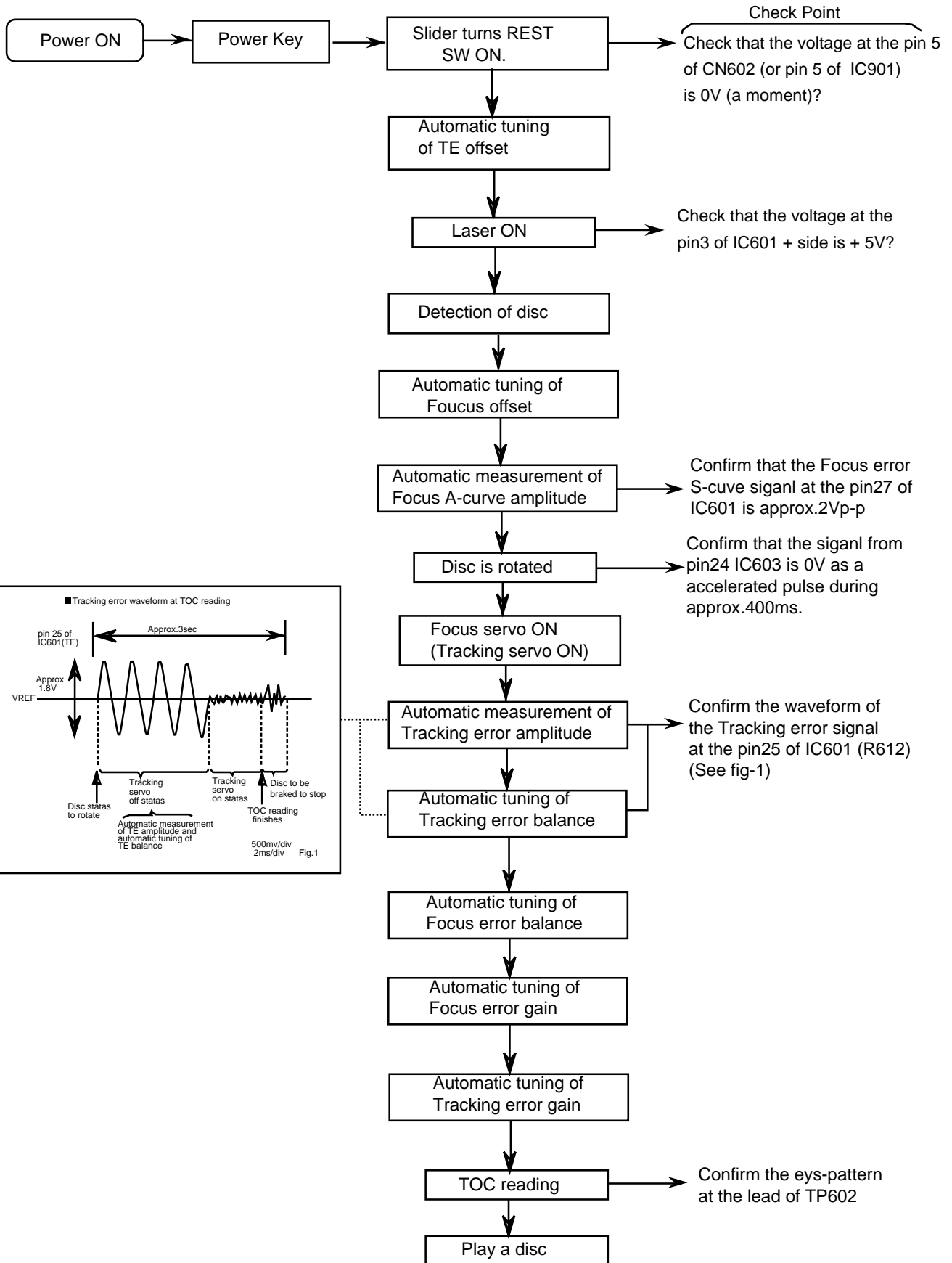
### ■ Standard values for confirmation of electronic performance

Items	Condition	Method for adjustment and confirmation	Standard value	Parts to be adjusted
Erasing current (standard and reference value)	Fast-forward and rewind direction: <ul style="list-style-type: none"> <li>▪ Recording mode</li> <li>▪ AC-514 for TYPE II, AC-225 for TYPE I</li> </ul> Measuring terminal: Both erase head terminals	Load the test tape (AC-514 for TYPE II, AC-225 for TYPE I) into the tape playback mechanism and preset it to the record-pause mode. After setting it to the recording mode, send 1 M in series to the erase head and measure the erasing current from both erase head terminals.	TYPE II: 110 mA TYPE I: 75 mA	
Adjustment of reproduction of frequency characteristics	Standard frequencies: 1 kHz and 10 kHz (REF: -20 dB) Test tape: TYPE II: AC-514 Measuring input terminal: OSC IN	Load the test tape (AC-514 for TYPE II, AC-225 for TYPE I) into the tape playback mechanism and preset it to the record-pause mode. Input the standard value of -20 dB and the standard frequencies of 1 kHz and 10 kHz repeatedly to the microphone input from the transmitter in the recording mode. Adjust VR31 for Lch and VR32 for Rch so that the difference in level between 10 kHz and 1 kHz is $-1 \text{ dB} \pm 5 \text{ dB}$ . Repeat the above for TYPE I and confirm that the difference in level is $-X \text{ dB} \pm \text{dB}$ .	Difference in output between 1 kHz and 10 kHz: $-1 \text{ dB} \pm 5 \text{ dB}$	Lch: VR31 Rch: VR32

#### (U version only)

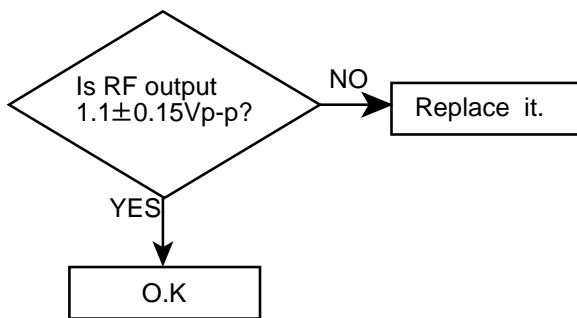
Sensitivity of reproduction of microphone mixing	Microphone input terminal: 1 kHz, -65 dB Test tape: VT-724	Based on the reproduction level of the VT-724 test tape, confirm that the microphone level is $0 \text{ dBs} \pm 3 \text{ dB}$ when a 1 kHz, 65 dBs signal is input. (The mixing volume and sound volume should be at maximum.)	$0 \text{ dBs} \pm 3 \text{ dB}$ (Based on the reproduction level of the VT-724)	
--	---	---	---	--

# Flow of functional operation until TOC read



## Maintenance of laser pickup

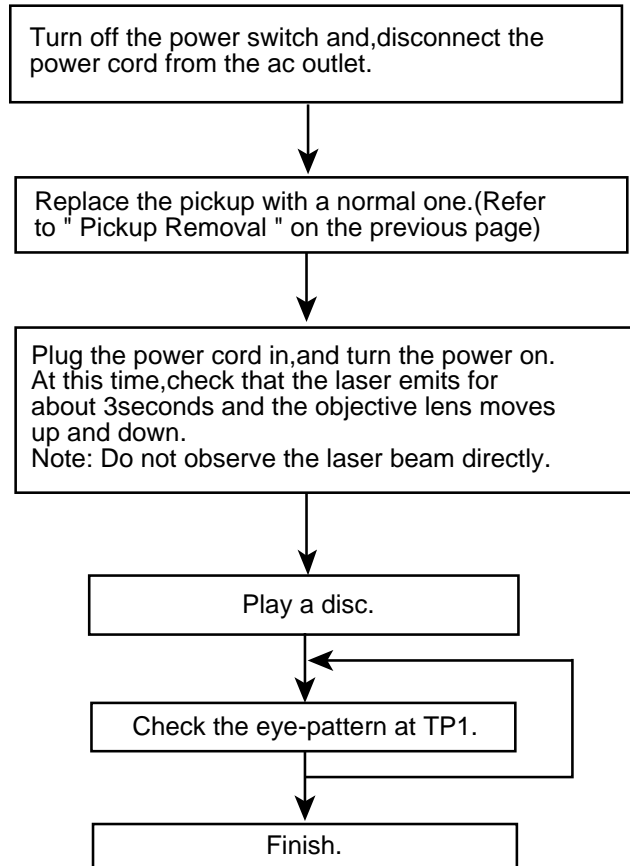
- (1) Cleaning the pick up lens  
Before you replace the pick up, please try to clean the lens with a alcohol soaked cotton swab.
- (2) Life of the laser diode (Fig.1)  
When the life of the laser diode has expired, the following symptoms wil appear.  
(1) The level of RF output (EFM output:amplitude of eye pattern) will below.



(Fig.1)

- (3) Semi-fixed resistor on the APC PC board  
The semi-fixed resistor on the APC printed circuit board which is attached to the pickup is used to adjust the laser power. Since this adjustment should be performed to match the characteristics of the whole optical block, do not touch the semi-fixed resistor.  
If the laser power is lower than the specified value, the laser diode is almost worn out, and the laser pickup should be replaced.  
If the semi-fixed resistor is adjusted while the pickup is functioning normally, the laser pickup may be damaged due to excessive current.

## Replacement of laser pickup



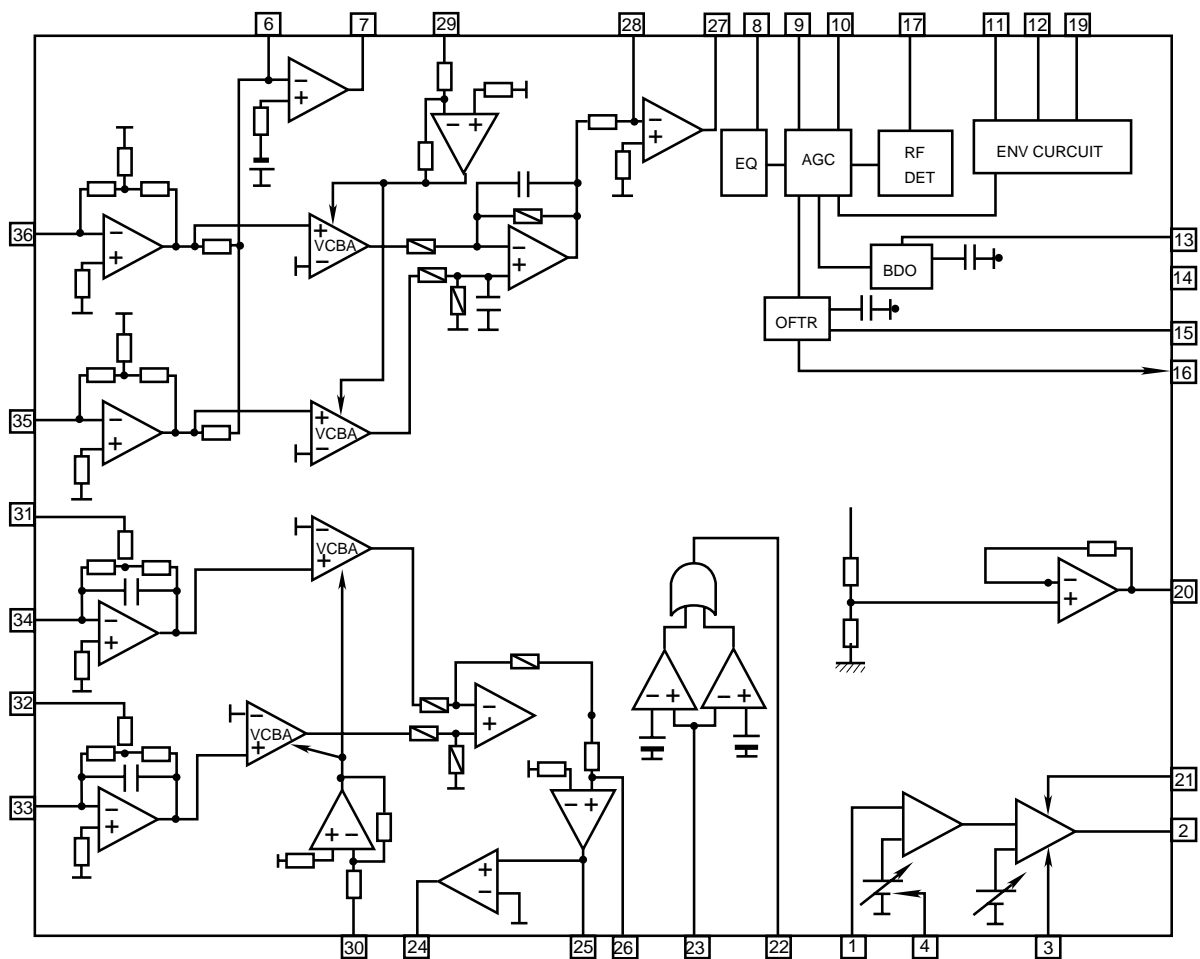
# Description of major ICs

## ■ AN8806SB (IC601) : RF&Servo AMP

### 1. Terminal Layout

PD	1	36	PDAC
LD	2	35	PDBD
LDON	3	34	PDF
LDP	4	33	PDE
VCC	5	32	PDER
RF-	6	31	PDFR
RF OUT	7	30	TBAL
RF IN	8	29	FBAL
C.AGC	9	28	EF-
ARF	10	27	EF OUT
C.ENV	11	26	TE-
C.EA	12	25	TE OUT
CS BDO	13	24	CROSS
BDO	14	23	TE BPF
CS BRT	15	22	VDET
OFTR	16	21	LD OFF
/NRFDET	17	20	VREF
GND	18	19	ENV

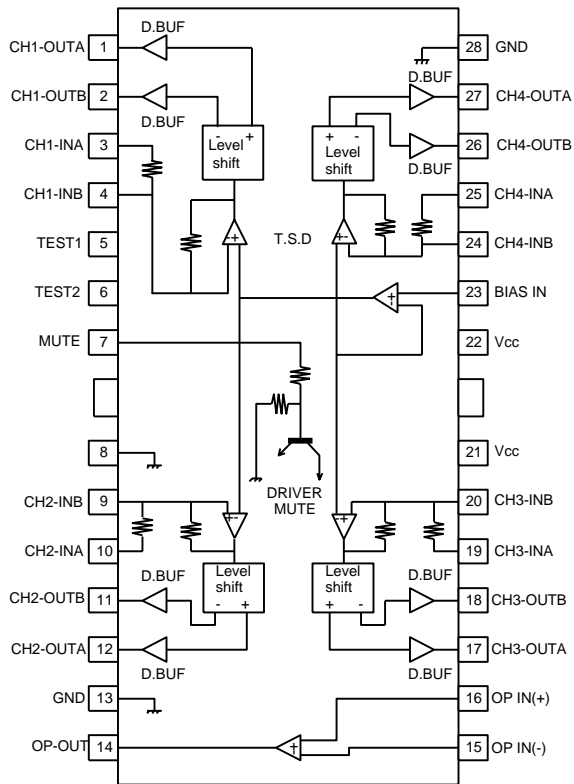
### 2. Block Diagram



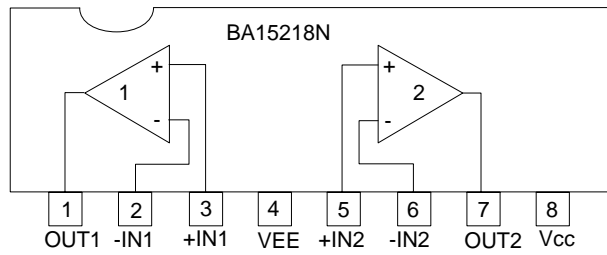
## 3. Functions

Pin No.	Symbol	I/O	Functions and operations
1	PD	I	APC amp input terminal
2	LD	O	APC amp output terminal
3	LD ON	I	APC ON/OFF control terminal
4	LDP	--	Connect to ground
5	VCC	--	Power supply
6	RF-	I	Inverse input pin for RF amp
7	RF OUT	O	RFamp output
8	RF IN	I	RF input
9	C.AGC	I/O	Connecting pin of AGC loop filter
10	ARF	O	RF output
11	C.ENV	I/O	A capacitor is connected to this terminal to detect the envelope of RF signal
12	C.EA	I/O	A capacitor is connected to this terminal to detect the envelope of RF signal
13	CS BDO	I/O	A capacitor is connected to detect the lower envelope of RF signal
14	BDO	O	BDO output pin
15	CS BRT	I/O	A capacitor is connected to detect the lower envelope of RF signal
16	OFTR	O	Of-track status signal output
17	/NRFDET	O	RF detection signal output
18	GND	--	Ground
19	ENV	O	Envelope output
20	VREF	O	Reference voltage output
21	LD OFF	--	Connect to ground
22	VDET	O	Vibration detection signal output
23	TE BPF	I	Input pin of tracking error through BPF
24	CROSS	O	Tracking error cross output
25	TE OUT	O	Tracking error signal output
26	TE-	I	Inverse input pin for tracking error amp
27	FE OUT	O	Output pin of focus error
28	FE-	I	Inverse input pin for focus error amp
29	FBAL	I	Focus balance control
30	TBAL	I	Tracking balance control
31	PDFR	I/O	F I-V amp gain control
32	PDER	I/O	E I-V amp gain control
33	PDF	I	I-V amp input
34	PDE	I	I-V amp input
35	PD BD	I	I-V amp input
36	PD AC	I	I-V amp input

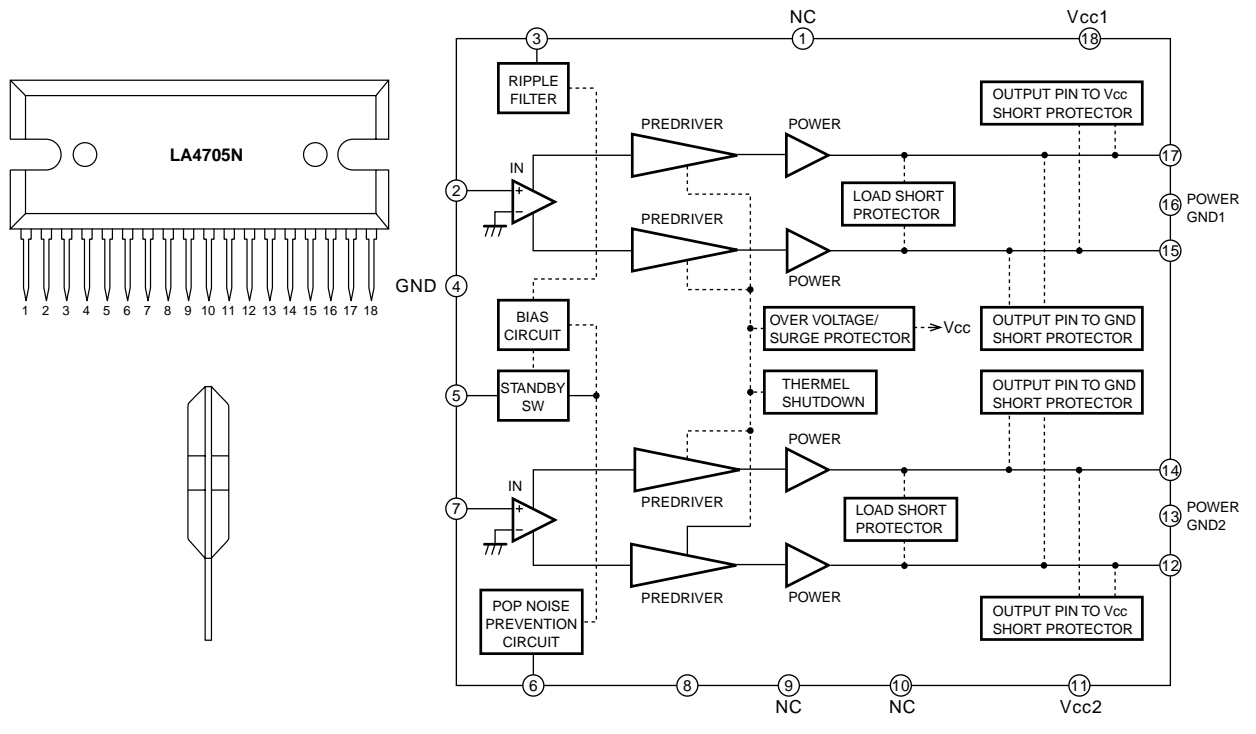
■ BA6897FP-W (IC602)  
: 4channel driver



■ BA15218N (IC801/IC831)  
: Dual op amplifier

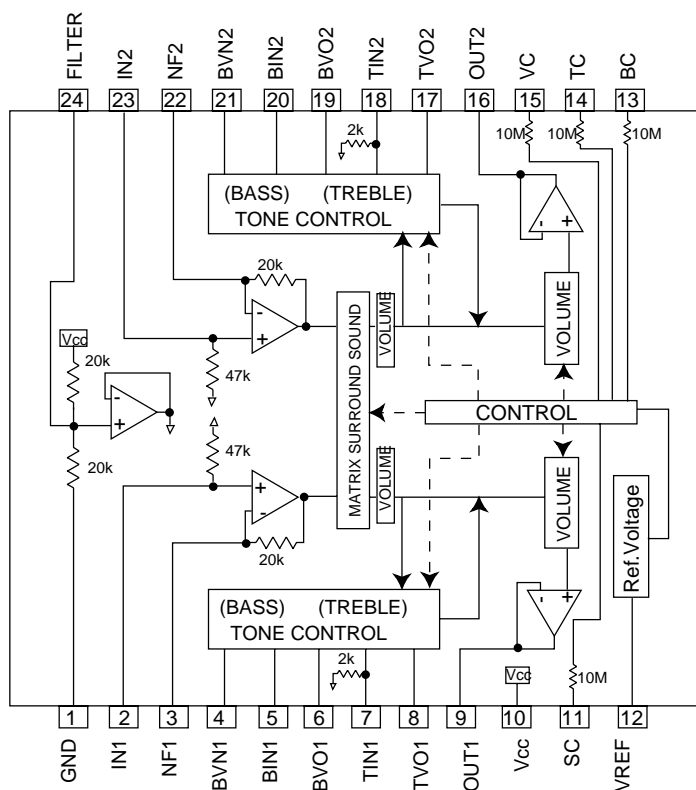


■ LA4705NA (IC631) : power amplifier



■ BH3852S (IC501) : E. Volume

1. Block diagram



2. Pin function

Pin No.	Pin name	I/O	Function	Pin No.	Pin name	I/O	Function
1	GND	-	Grand terminal	13	BASS	I	Terminal for bass control
2	IN1	I	Terminal for 1ch volume input	14	TRE	I	Terminal for treble control
3	NF1	I	Terminal for gain adjustment of input step amp.	15	VOL	I	Terminal for volume control
4~6	BASS1	-	Terminal for connection of 1ch low-frequency filter	16	OUT2	O	Terminal for 2ch volume output
7.8	TRE1	-	Terminal for connection of 1ch High frequency filter	17.18	TRE2	-	Terminal for connection of 2ch high-frequency filter
9	OUT1	O	Terminal for 1ch volume output	19~21	BASS2	-	Terminal for connection of 2ch low-frequency filter
10	VCC	-	Terminal for power supply	22	NF2	I	Terminal for gain adjustment of input step amp.
11	LIVE	-	Terminal for surround control	23	IN2	I	Terminal for 2ch volume output
12	VREF	O	Terminal for reference voltage output	24	VSET	-	Terminal for filter

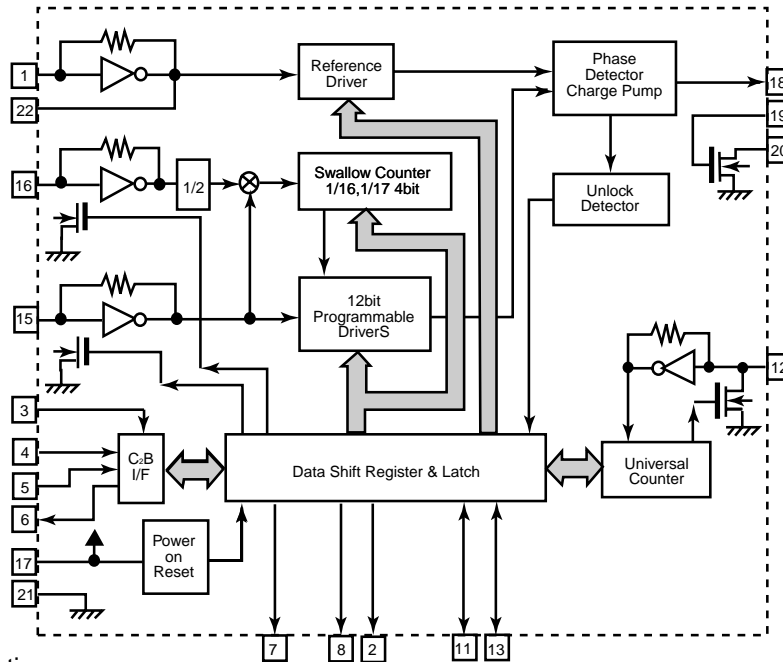


■ LC72136N(IC2):PLL Frequency synthesizer

1. Layout

XT	1	22	XT
FM/AM	2	21	GND
CE	3	20	LPFOUT
DI	4	19	LPFIN
CLOCK	5	18	PD
DO	6	17	VCC
FM/ST/VCO	7	16	FMIN
AM/FM	8	15	AMIN
	9	14	
	10	13	IFCONT
SDIN	11	12	IFIN

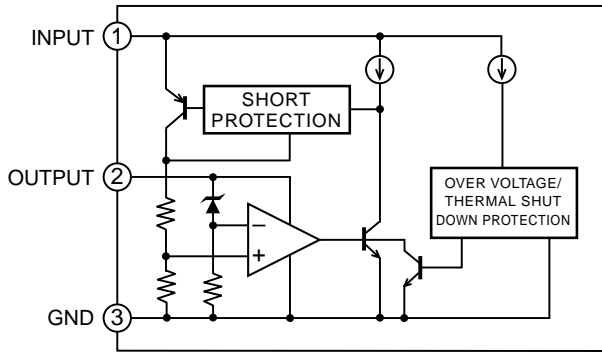
2. Block



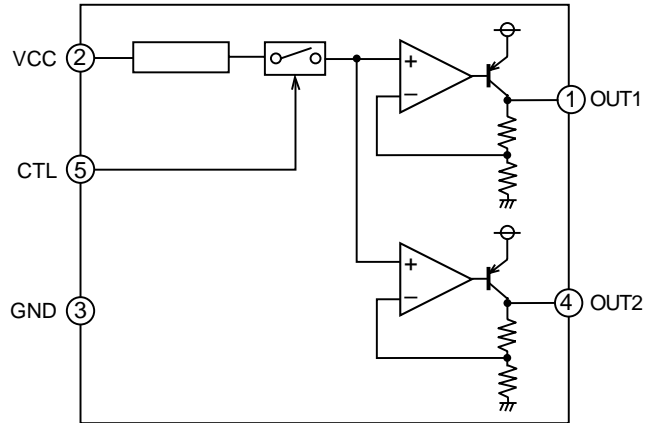
3. Function

Pin No.	Symbol	I/O	Function	Pin No.	Symbol	I/O	Function
1	XT	I	X'tal oscillator connect (75kHz)	12	IFIN	I	IF counter signal input
2	FM/AM	O	LOW:FM mode	13	IFCONT	O	IF signal output
3	CE	I	When data output/input for 4pin(input) and 6pin(output): H	14		-	Not use
4	DI	I	Input for receive the sirisl data from controller	15	AMIN	I	AM Local OSC signal output
5	CLOCK	I	Sync signal input use	16	FMIN	I	FM Local OSC signal input
6	DO	O	Data output for Controller Output port	17	VCC	-	Power suply(VDD=4.5-5.5V) When power ON:Reset circuit move
7	FM/ST/VCO	O	"Low": MW mode	18	PD	O	PLL charge pump output(H: Local OSC frequency Height than Reference frequency. L: Low Agreement: Height impedance)
8	AM/FM	O	Not use	19	LPFIN	I	Input for active lowpassfilter of PLL
9		-	Not use	20	LPFOUT	O	Output for active lowpassfilter of PLL
10		-	Input/output port	21	GND	-	Connected to GND
11	SDIN	I/O	Data input/output	22	XT	I	X'tal oscillator(75KHz)

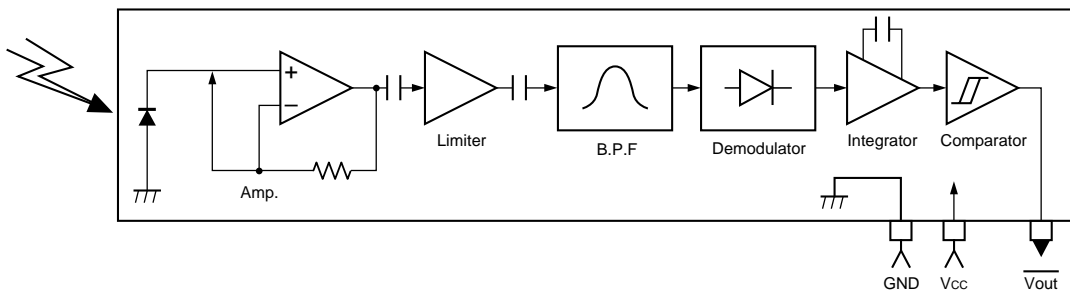
■ TA78DL06S(IC390) : Regulator



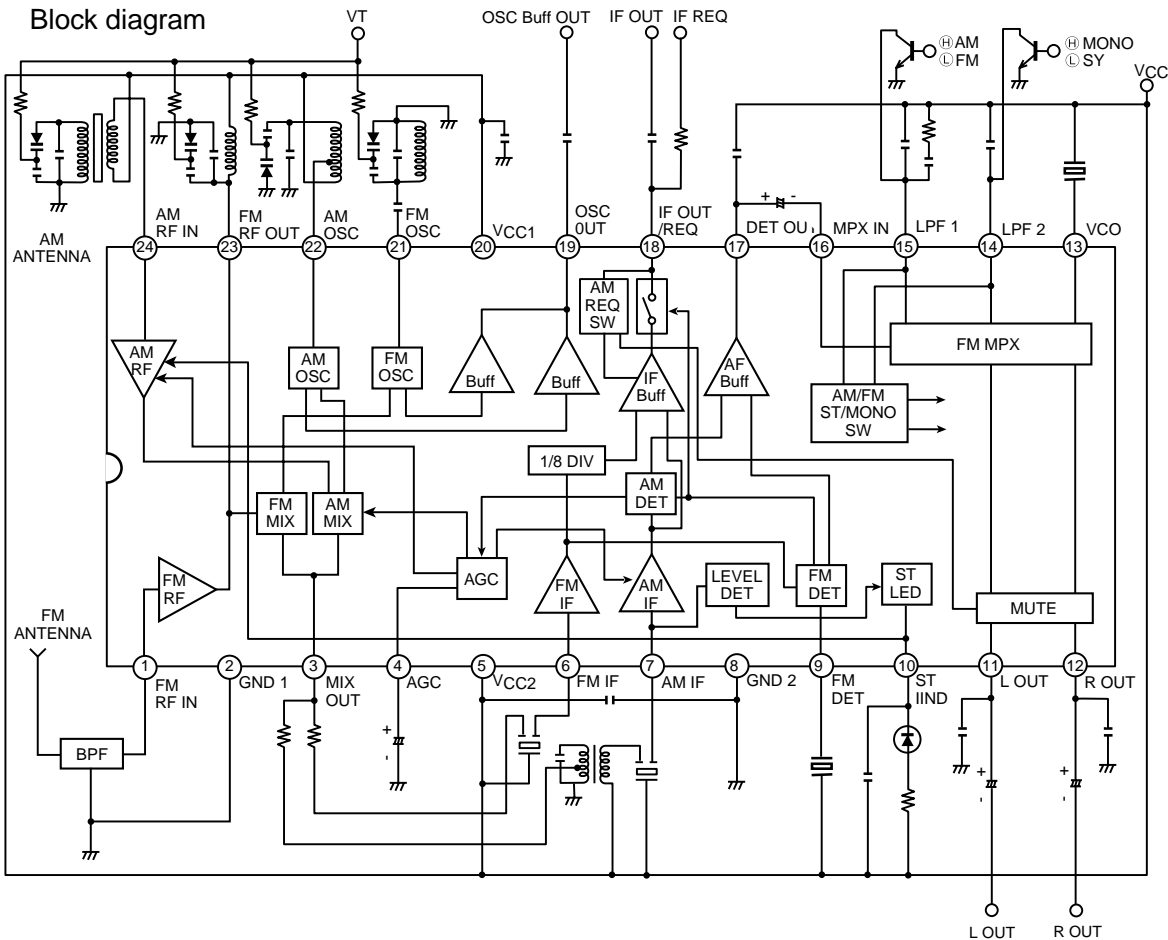
■ BA44W12ST-V5/Z1(IC310):Regulator



■ GP1U281X(IC903) : Remocon sensor

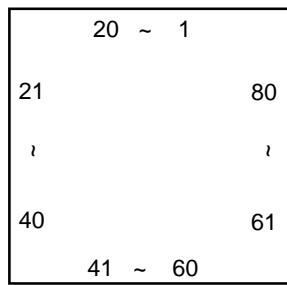


■ TA2008AN (IC 1): FM/AM,IF/DET

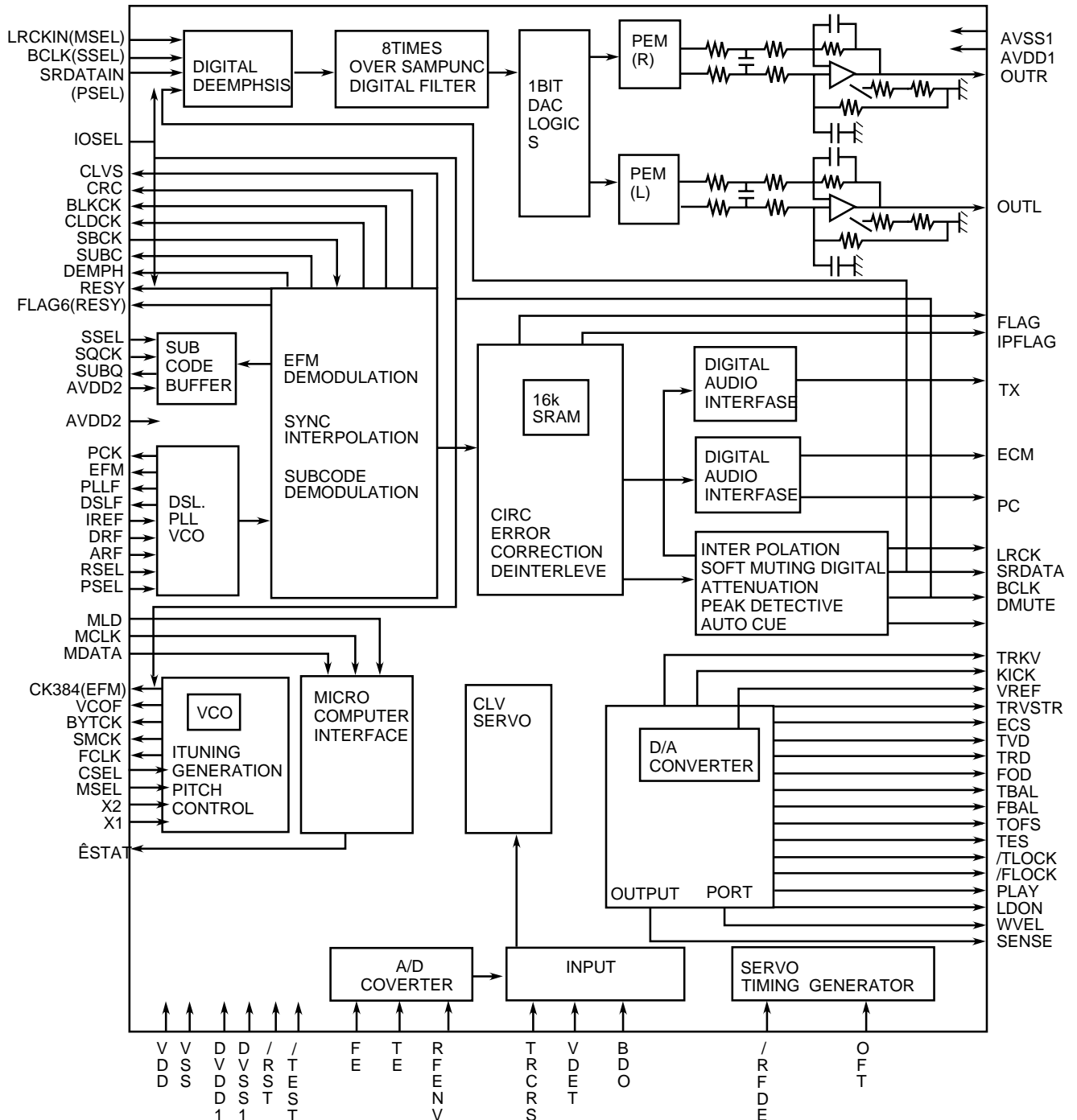


**MN35510(IC603):DIGITAL SERVO&DIGITAL SIGNAL PROCESSER**

1. Terminal Layout

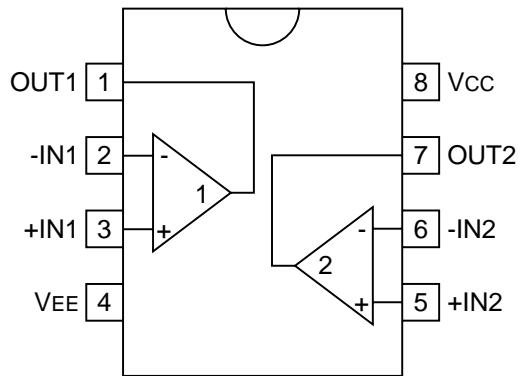


2. Block Diagram



## 3. Description

Pin No.	symbol	I/O	Description	Pin No.	symbol	I/O	Description
1	BCLK	O	Not used	41	TES	O	Tracking error shunt signal output(H:shunt)
2	LRCK	O	Not used	42	PLAY	—	Not used
3	SRDATA	O	Not used	43	WVEL	—	Not used
4	DVDD1	—	Power supply (Digital)	44	ARF	I	RF signal input
5	DVSS1	—	Connected to GND	45	IREF	I	Reference current input pin
6	TX	O	Digital audio interface output	46	DRF	I	Bias pin for DSL
7	MCLK	I	Micom command clock signal input (Data is latched at signal's rising point)	47	DSLFL	I/O	Loop filter pin for DSL
8	MDATA	I	Micom command data input	48	PLLF	I/O	Loop filter pin for PLL
9	MLD	I	Micom command load signal input	49	VCOF	—	Not used
10	SENSE	O	Sence signal output	50	AVDD2	—	Power supply(Analog)
11	FLOCK	O	Focus lock signal output Active :Low	51	AVSS2	—	Connected to GND(Analog)
12	TLOCK	O	Tracking lock signal output Active :Low	52	EFM	—	Not used
13	BLKCK	O	sub-code - block - clock signal output	53	PCK	—	Not used
14	SQCK	I	Outside clock for sub-code Q resister input	54	PDO	—	Not used
15	SUBQ	O	Sub-code Q -code output	55	SUBC	—	Not used
16	DMUTE	—	Connected to GND	56	SBCK	—	Not used
17	STATUS	O	Status signal (CRC,CUE,CLVS,TTSTOP,ECLV,SQOK)	57	VSS	—	Connected to GND(for X'tal oscillation circuit)
18	RST	I	Reset signal input (L:Reset)	58	XI	I	Input of 16.9344MHz X'tal oscillation circuit
19	SMCK	—	Not used	59	X2	O	Output of X'tal oscillation circuit
20	PMCK	—	Not used	60	VDD	—	Power supply(for X'tal cscillation circuit)
21	TRV	O	Traverse enforced output	61	BYTCK	—	Not used
22	TVD	O	Traverse drive output	62	CLDCK	—	Not used
23	PC	—	Not used	63	FLAG	—	Not used
24	ECM	O	Spindle motor drive signal (Enforced mode output) 3-State	64	IPPLAG	—	Not used
25	ECS	O	Spindle motor drive signal (Servo error signal output)	65	FLAG	—	Not used
26	KICK	O	Kick pulse output	66	CLVS	—	Not used
27	TRD	O	Tracking drive output	67	CRC	—	Not used
28	FOD	O	Focus drive output	68	DEMPH	—	Not used
29	VREF	I	Reference voltage input pin for D/A output block (TVD,FOD,FBA,TBAL)	69	RESY	—	Not used
30	FBAL	O	Focus Balance adjust signal output	70	IOSEL	—	pull up
31	TBAL	O	Tracking Balance adjust signal output	71	TEST	—	pull up
32	FE	I	Focus error signal input(Analog input)	72	AVDD1	—	Power supply(Digital)
33	TE	I	Tracking error signal input(Analog input)	73	OUT L	O	Lch audio output
34	RF ENV	I	RF envelope signal input(Analog input)	74	AVSS1	—	Connected to GND
35	VDET	I	Vibration detect signal input(H:detect)	75	OUT R	O	Rch audio output
36	OFT	I	Off track signal input(H:off track)	76	RSEL	—	pull up
37	TRCRS	I	Track cross signal input	77	CSEL	—	Connected to GND
38	RFDET	I	RF detect signal input(L:detect)	78	PSEL	—	Connected to GND
39	BDO	I	BDO input pin(L:detect)	79	MSEL	—	Connected to GND
40	LDON	O	Laser ON signal output(H:on)	80	SSEL	—	Pull up

**■ BA15218F-XE(IC401/751):OP AMP.**


RV-B550BU

**JVC**

VICTOR COMPANY OF JAPAN, LIMITED

AUDIO DIVISION, 10-1, 1Chome, Ohwatari-machi, Maebashi-city, 371-8543, Japan

(No.20826C)

 Printed in Japan  
200101 (V)

# PARTS LIST

[ RV-B550BU ]

\* All printed circuit boards and its assemblies are not available as service parts.

Area suffix

UY ----- Argentina

## - Contents -

Exploded view of general assembly and parts list .....	3- 2
CD mechanism assembly and parts list .....	3- 7
Cassette mechanism assembly and parts list .....	3- 8
Electrical parts list .....	3-13
Packing materials and accessories parts list .....	3-24

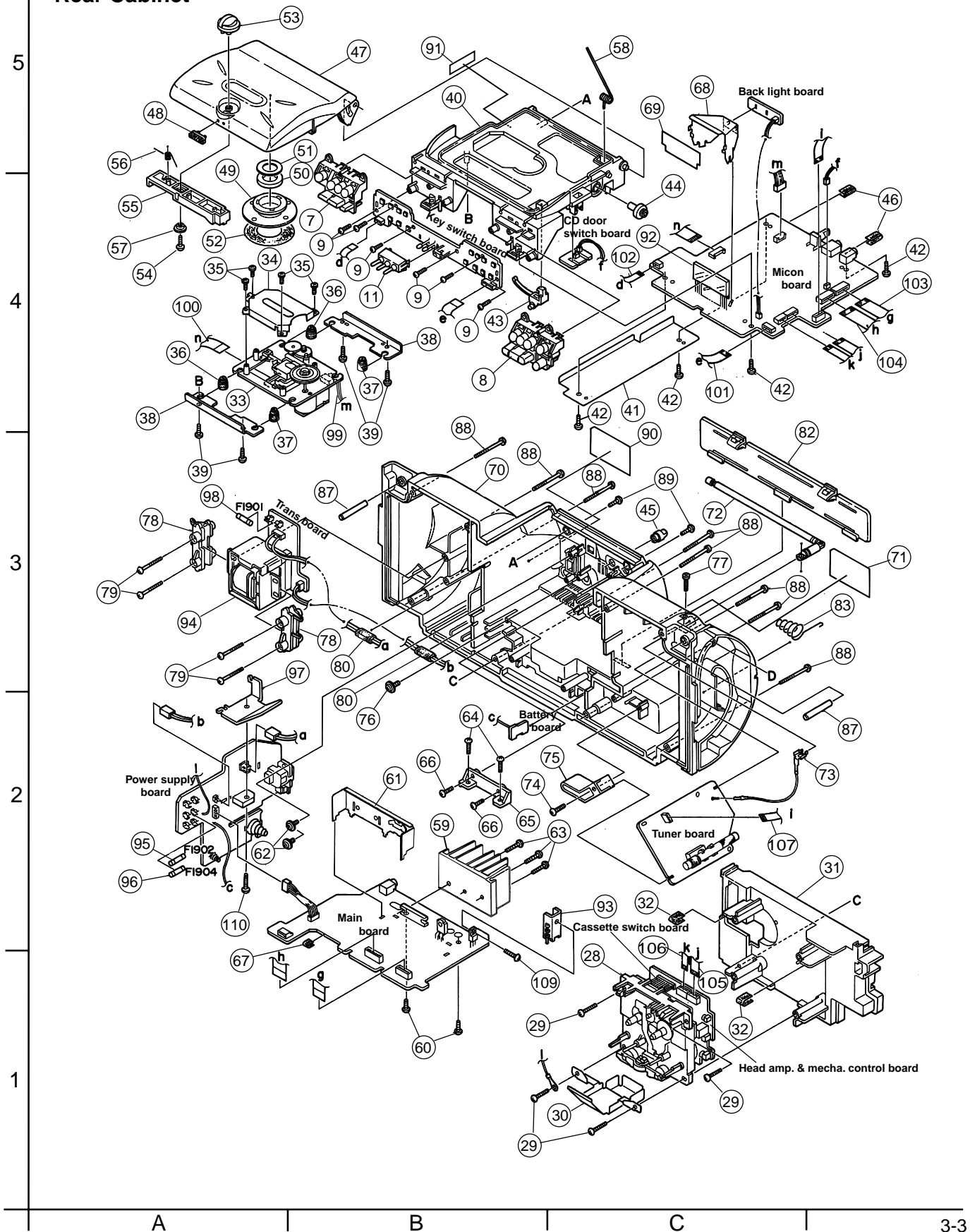




# Exploded view of general assembly and parts list

Block No. M 1 M M

## Rear Cabinet



## ■ Parts list(General assembly)

Block No. M1MM

△	Item	Parts number	Parts name	Q'ty	Description	Area
	1	LV10160-012A	FRONT CABI ASSY	1	H.F.WELDING	
	2	LE10010-012A	SPEAKER	2	L/R	
	3	QYSBSF3010Z	SCREW	8	FOR SPK.	
	4	QYSBST3006Z	T.SCREW	4	SPK+LED PWB	
	5	LV41752-001A	SPK.LED HOLDER	2		
	6	VJK4520-081	LCD LENS	1	AS SILK X 1	
	7	LV20331-001A	POWER BUTTON	1		
	8	LV20332-001A	VOLUME BUTTON	1		
	9	QYSBSF2610Z	SCREW	6	BUTTON + SW PWB	
	10	LV40715-002A	LENS	1	AS PAD X 1	
	11	LV40716-002A	LED HOLDER	1	ABS	
	12	LV40750-001A	PACKING SHEET L	1	PEFU(FRONT CABI	
	13	LV40751-001A	PACKING SHEET R	1	PEFU(FRONT CABI	
	14	QYSBSFG3010Z	TAP SCREW	1	SPK.CON+FRONT	
	15	LV20298-003A	CASSETTE HOLDER	1	MIPS	
	16	VKZ4794-002	SPECIAL SCREW	3	EJECT SAFTY	
	17	LV20299-005A	DOOR COVER	1		
	18	LV30844-001A	EJECT SAFTY	1	CASS HOLDER	
	19	LV40717-003A	DOOR LENS	1	PC SILK X 2	
	20	VKY4180-001	CASSETTE SPRING	2	SUS	
	21	VYH5601-001	GEAR	1	POM	
	22	LV40718-001A	EJECT KNOB	1	ABS	
	23	LV40719-001A	CAM(CASS)	1	POM	
	24	LV40749-001A	TENSION SPRING	1	CAM + DOOR COVE	
	25	QYSDSF2614Z	SCREW	1	E.KNOB + CAM	
	26	LV40721-001A	DOOR SPRING	1	SUS T1.0	
	27	LV40720-002A	COLLAR (CASS)	1	SLIDER + D.COVE	
	28	-----	SLC MECHA ASS'Y	1		
	29	QYSBSF3014Z	SCREW	4	FOR SLC	
	30	LV30845-001A	HEAD SHIELD	1	SPT T 0.4	
	31	LV10192-001A	CASS CHASSIS	1	MIPS	
	32	VYSA1R6-080	SPACER	2	FOR CASS CHASSI	
	33	-----	EXL-M6MAYPM	1		
	34	VJD5410-205	PICK COVER	1		
	35	QYSDSF2006M	SCREW	4		
	36	VKZ4791-001	INSULATOR	2		
	37	VKZ4791-001	INSULATOR	2		
	38	LV40723-001A	CD MECHA HOLDER	2	EGC T1.0	
	39	QYSBSF3010Z	SCREW	4	FOR HOLDER	
	40	LV10162-009A	CD CASE	1	MIPS	
	41	LV31305-001A	SHIELD	1	FOR CD CASE	
	42	QYSBSF3010Z	SCREW	4	FOR MICON PWB	
	43	LV40726-001A	LOCK LEVER	1	POM	
	44	VYH4769-002SS	GEAR	1	FOR CD CASE	
	45	VXL4442-001	VOLUME KNOB	1	MIC VOLUME	
	46	VYSA1R6-080	SPACER	2	FOR MICON PWB	
	47	LV10163-008A	CD DOOR	1		
	48	PQ45130-7	JVC MARK	1	FOR CD DOOR	

**Parts list(General assembly)**
**Block No. M1MM**

△	Item	Parts number	Parts name	Q'ty	Description	Area
	49	VYH3644-201	CLAMPER	1	FOR OPTIMA-6	
	50	VYH7313-003	MAGNET	1		
	51	VYH7314-001	YOKE	1		
	52	VYH7315-005	PAD	1		
	53	LV40718-001A	EJECT KNOB	1	ABS	
	54	QYSBSF2610Z	SCREW	1	E.KNOB + SLIDER	
	55	LV30846-001A	SLIDER (CD)	1	POM	
	56	LV40725-001A	TORSION SPRING	1	FOR SLIDER	
	57	LV40728-002A	COLLAR (CD)	1		
	58	LV40729-002A	CD DOOR SPRING	1	SUS	
	59	LV30847-001A	HEAT SINK(A)	1	AL T2.0	
	60	QYSBSF3012Z	SCREW	2	HEAT SINK(A)+PW	
	61	LV30848-001A	HEAT SINK(B)	1		
	62	E65923-003	TAPPING SCREW	2	FOR AC	
	63	QYSBSF3012Z	SCREW	3	FOR POWER IC	
	64	QYSBSF3012Z	SCREW	2	H.SINK(A)+BKT.	
	65	LV40730-001A	HEAT SINK BKT	1	FOR HEAT SINK	
	66	QYSBSF3010Z	SCREW	2	REAR + H.BKT.	
	67	VYSA1R6-080	SPACER	1	FOR AMP PWB	
	68	LV30849-001A	LCD HOLDER	1	SPT E T0.4	
	69	VYH8193-002	SHEET	1	LCD + LCD HOLDE	
	70	LV10164-030A	REAR CABINET	1	MIPS	
	71	VND4118-004	CAUTION LABEL	1	FOR REAR	
	72	FMJA3001-00A(D)	ROD ANT ASS'Y	1		
	73	VYH5012-006	TERMINAL LUG	1	SPT E T0.4	
	74	QYSBSF3012Z	SCREW	1	TUNER HOLDER+RE	
	75	LV41032-001A	TUNER HOLDER	1		
	76	E65923-003	TAPPING SCREW	1	FOR H.PHONES	
	77	QYSDSP3012N	SCREW	1	FOR ROD ANT	
	78	VYH8101-001	TRANS SUPPORT	2	POM	
	79	QYSBSF3030Z	SCREW	4	FOR TRANS	
	80	LV30225-021A	SPACER	2	TRANS WIRE	
	82	VJC2016-341	BATTERY COVER	1	MIPS	
	83	VYH5657-001	BATTERY SPRING	1		
	84	LV10165-005A	SIDE PROT.ASY L	1		
	85	LV10166-005A	SIDE PROT.ASY R	1		
	86	QYSBSF3012N	SCREW	12	FOR SIDE PROTEC	
	87	VKH3012-073	SHAFT(E)	2	REAR(S.BELT)	
	88	QYSBSF3040Z	SCREW	8	FRONT+REAR	
	89	QYSBSF3010Z	SCREW	2	CD CASE + REAR	
△	90	LV31998-004A	NAME PLATE	1		
	91	LV40231-001A	CAUTION LABEL	1		
	92	QLD0024-002	L.C.DISPL.PANEL	1		
	93	E70306-001	HEAT SINK	1		
△	94	QQT0247-004	POWER TRANS	1		
△	95	QMF51E2-4R0-J1	FUSE	1	F1902	
△	96	QMF51E2-6R3-J1	FUSE	1	F1904	
	97	LV41029-001A	HEAT SINK	1		

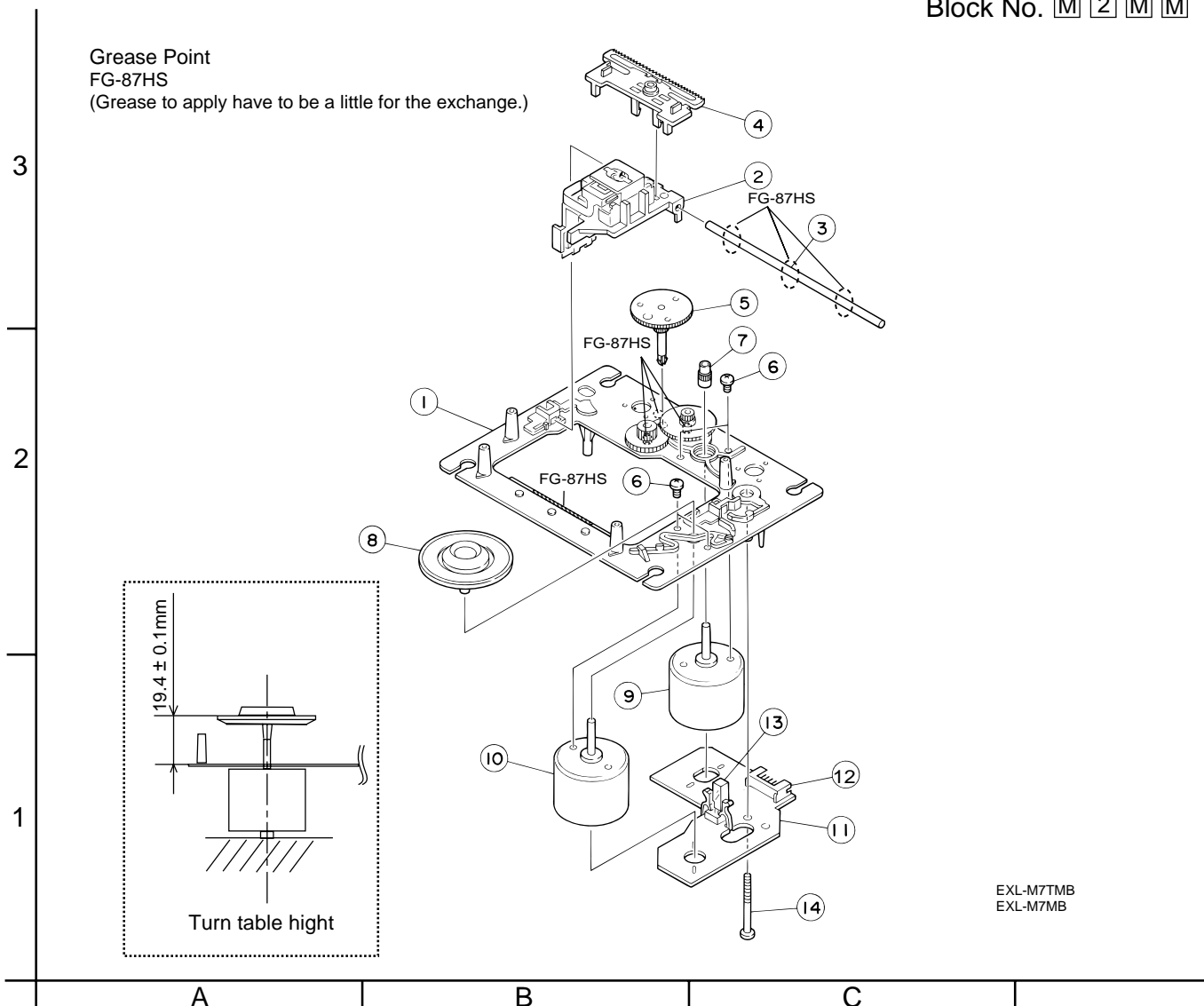
**Parts list(General assembly)**

Block No. M1MM

▲	Item	Parts number	Parts name	Q'ty	Description	Area
	98	QMF51E2-R80-J1	FUSE	1	F1901	
	99	QJJ010-060606	SIN CR C-C WIRE	1		
	100	QUQ610-1508AJ	FFC WIRE	1		
	101	QUQC12-0806CJ	FFC WIRE	1		
	102	QUQC12-1006CJ	FFC WIRE	1		
	103	QUQ412-1313CJ	FFC WIRE	1		
	104	QUQ412-1415CJ	FFC WIRE	1		
	105	QUQ412-1012DJ	FFC WIRE	1		
	106	QUQ412-0914DJ	FFC WIRE	1		
	107	QUQ412-0912CJ	FFC WIRE	1		
	108	WJJ0034-010A	E-SI C WIRE C-C	1		
	109	QYSBSSF3010Z	SCREW	1		
	110	QYSBSF3014Z	SCREW	1		

# CD mechanism assembly and parts list

Block No. M 2 M M



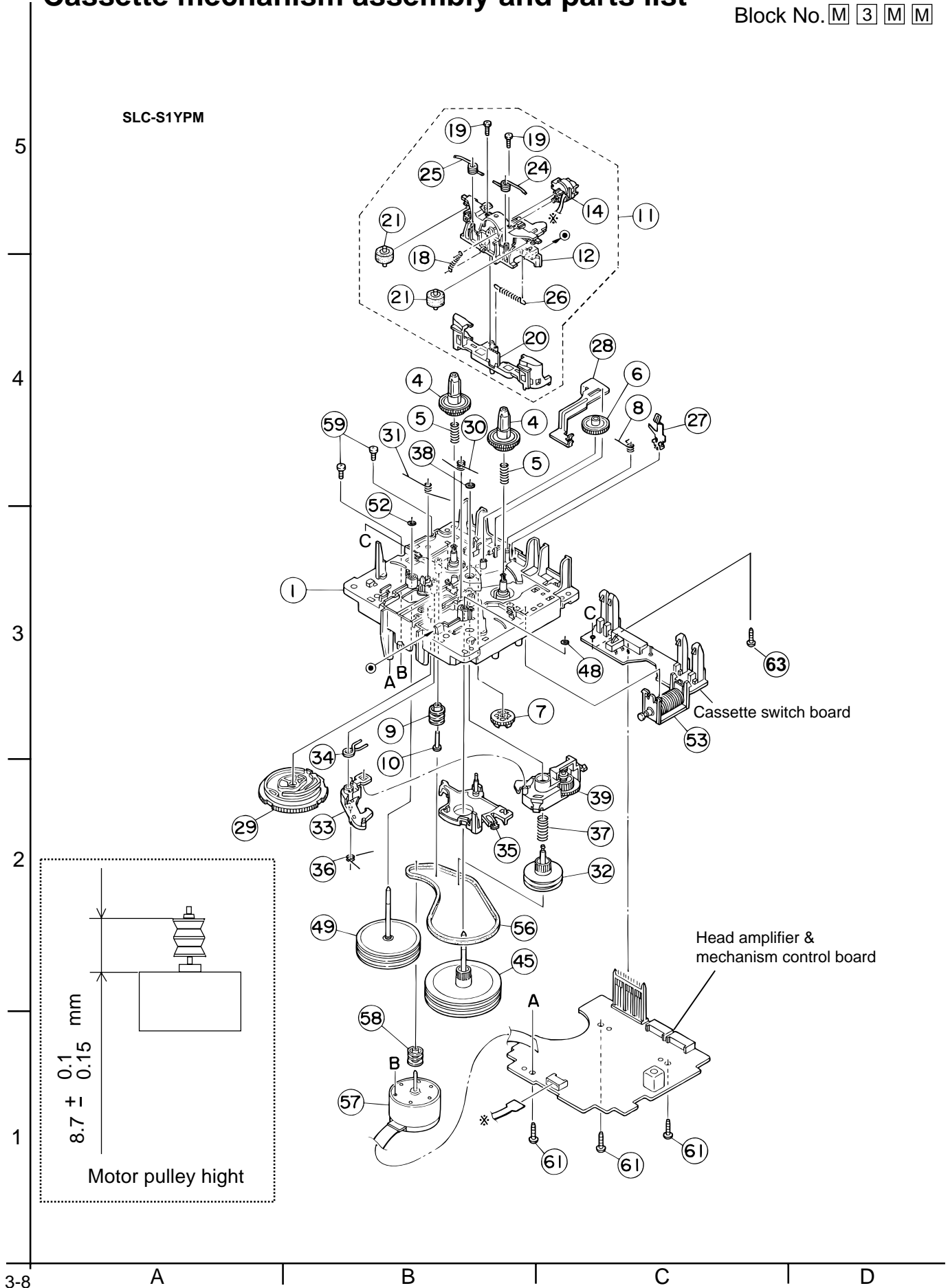
## Parts list ( CD mechanism )

Block No. M2MM

Item	Parts number	Parts name	Q'ty	Description	Area
1	E102731-221SM	MECHA BASE	1		
2	OPTIMA-7B	OPTICAL PICK UP	1		
3	E406777-002SM	CD SHAFT	1		
4	LV31002-001A	CD RACK	1		
5	E307745-441SM	MECHA GEAR	1		
6	QYSDSP2003N	SCREW	4		
7	E406750-442SM	PINION GEAR	1		
8	EPB-001PK	TURN TABLE	1	SINGLE CD	
	EPB309173PKA	TURN TABLE	1	CHANGER CD	
9	E406784-001	FEED MOTOR	1		
10	QAR0130-001	SPPINDLE MOTOR	1		
11	EMW10190-441	P.C.BOARD	1		
12	QGA2001F1-06	6P PLUG ASSY	1		
13	QSW0506-001	LEAF SWITCH	1		
14	E75832-221SS	SPECIAL SCREW	1		

# Cassette mechanism assembly and parts list

Block No. M 3 M M



**Parts list(Cassette mechanism)**

Block No. M3MM

△	Item	Parts number	Parts name	Q'ty	Description	Area
	1	VKS1165-00G	CHASSIS B.ASS'Y	1		
	4	VKS2274-002	REEL GEAR	2		
	5	VKW5286-002	B.T. SPRING	2		
	6	VKS5559-001	PLAY IDLE GEAR	1		
	7	VKS5597-00A	BUND ASS'Y	1		
	8	VKW5296-001	EARTH SPRING	1		
	9	VKR4749-003	IDLE PULLEY	1		
	10	VKH5786-003	SHAFT	1		
	11	VKS2275-00E	HEAD MOUNT ASSY	1		
	12	VKS1167-003	HEAD MOUNT BASE	1		
	14	LV41089-001A	R/P&E HEAD	1	VKS2275-00B	
	18	VKW5302-001	HEAD SPRING	1		
	19	VKZ4730-001	SPECIAL SCREW	2		
	20	VKS2277-005	DIRECTION LEVER	1		
	21	VKP4233-00A	PINCH ROL. ASSY	2		
	24	VKW5299-002	PIN ROL.SP.(R)	1		
	25	VKW5300-002	PIN ROL.SP.(L)	1		
	26	VKW5285-001	RETURN SPRING	1		
	27	VKY3149-002	CASSETTE SP.	1		
	28	VKM3906-002	PLAY SW LEVER	1		
	29	VKS1166-003	CONTROL CAM	1		
	30	VKW5279-001	HEAD BASE SP(R)	1		
	31	VKW5280-001	HEAD BASE SP(L)	1		
	32	VKS5603-00D	MAIN PULLEY ASY	1		
	33	VKS3785-001MM	FR ARM	1		
	34	VKW5284-002	SWING SPRING	1		
	35	VKS2278-003	TRIGGER ARM	1		
	36	VKW5301-001	FR SPRING	1		
	37	VKW5266-001	ELEVATOR SPRING	1		
	38	WDL214025	WASHER	1		
	39	VKS3786-00G	CLUTCH ASS'Y	1		
	45	VKF3205-00B	F.WHEEL ASSY(R)	1		
	48	WDL183425	SLIT WASHER	1		
	49	VKF3207-00B	F.WHEEL ASSY(L)	1		
	52	WDL173525-6	SLIT WASHER	1		
	53	VKZ3174-00A	DC SOLENOID	1		
	56	VKB3000-181	CAPSTAN BELT	1		
	57	MSI-5U2LWA	D.C.MOTOR ASS'Y	1		
	58	VKR4761-001	MOTOR PULLEY	1		
	59	QYSPSP2604Z	SCREW	2		
	61	QYSBSF2608Z	T.SCREW	3	FOR P.W.B.	
	63	QYSBSF2006Z	SCREW	1		

# Grease point 1/3

- Grease
- \* EM-30L
  - UD-24
  - ◆ LEN-320M

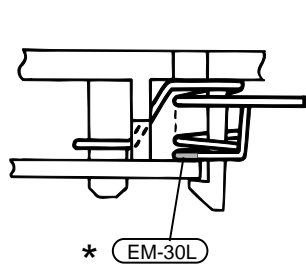


Fig.1

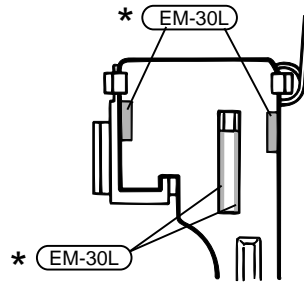


Fig.2

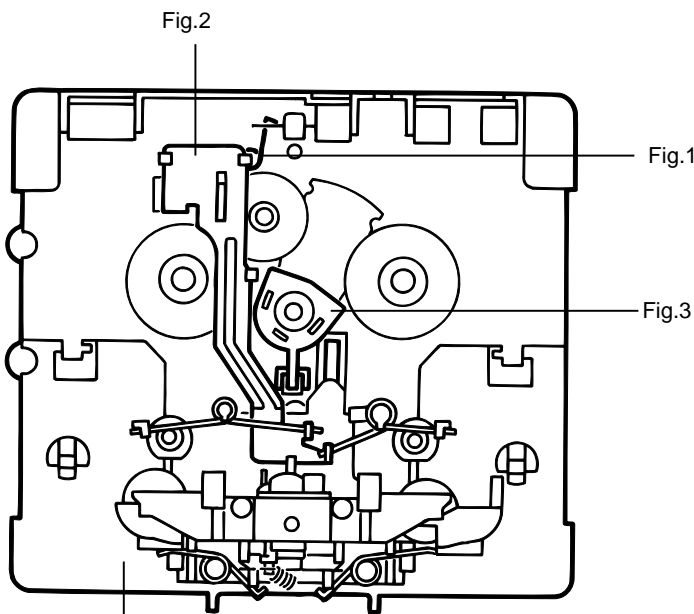


Fig.4

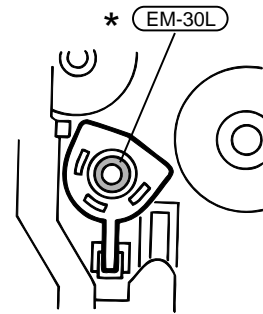


Fig.3

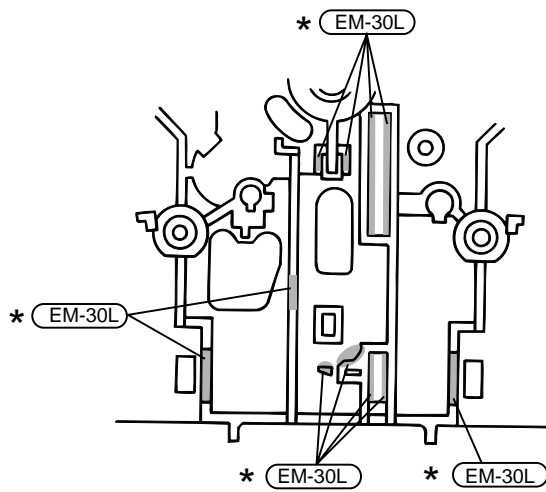


Fig.4

(Remove the Head mount Ass'y on the Chasis Base)



# Grease point 2/3

5  
4  
3  
2  
1  
A B C

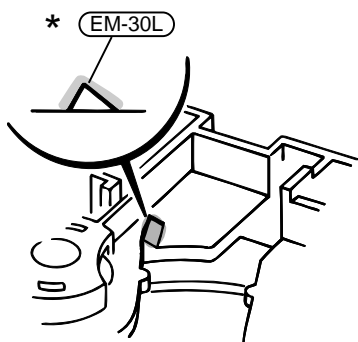


Fig.5

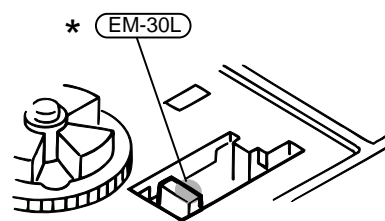


Fig.1

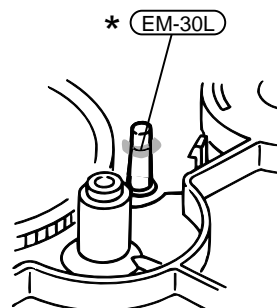
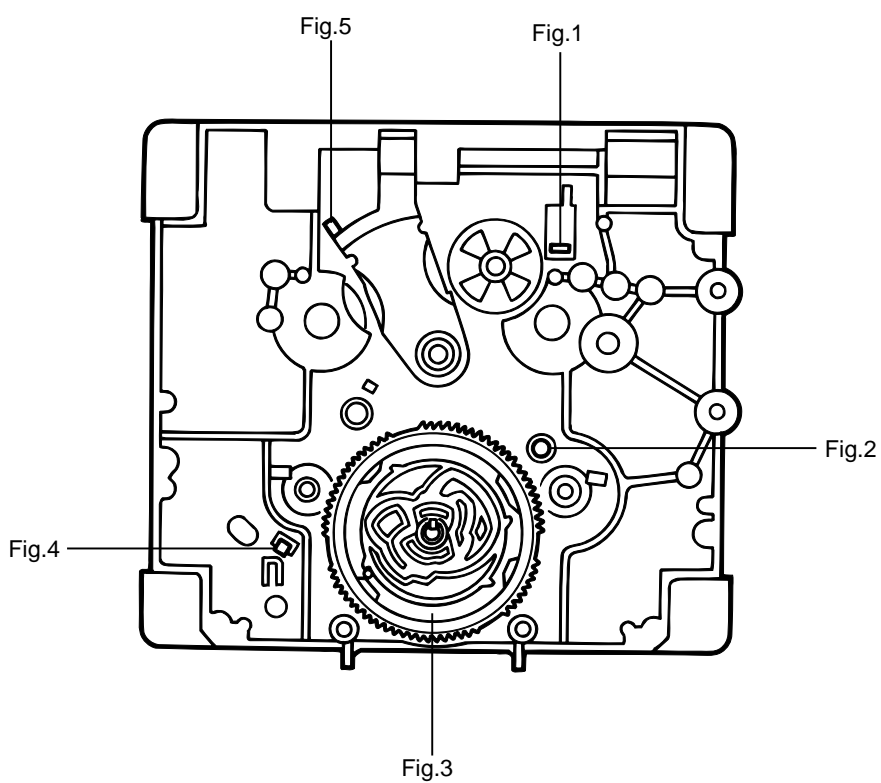


Fig.2

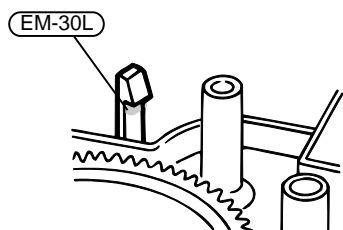


Fig.4

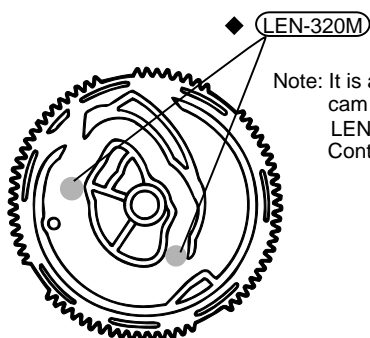
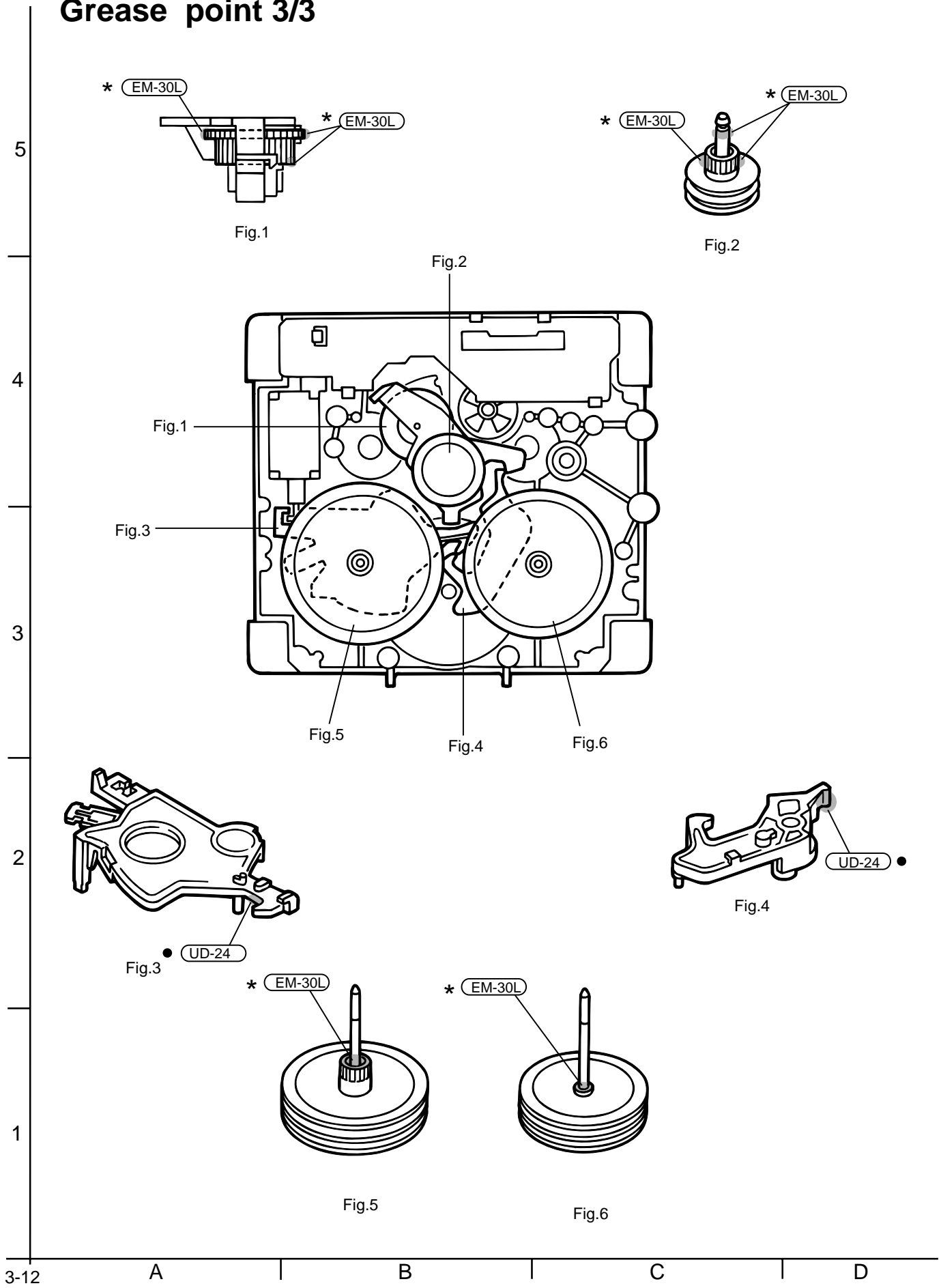


Fig.3

Note: It is a putting up of the control cam to UD-24H(Hanarl) and LEN-320M(Grease)dipping on the Control cam

# Grease point 3/3



# Electrical parts list

## ■ Electrical parts list(Micon board)

Block No. 01

Item	Parts number	Parts name	Remarks	Area	Item	Parts number	Parts name	Remarks	Area
C 604	QKCC1AM-107Z	E CAPACITOR	100MF 20% 10V		C3362	QER61EM-475Z	E CAPACITOR	4.7MF 20% 25V	
C 605	QETN1HM-106Z	E CAPACITOR	10MF 20% 50V		C3571	QER41CM-476	E CAPACITOR	47MF 20% 16V	
C 606	NCB21HK-102X	C CAPACITOR			C4142	NCS21HJ-100X	C CAPACITOR		
C 607	NCB21HK-102X	C CAPACITOR			C4143	QER61EM-475Z	E CAPACITOR	4.7MF 20% 25V	
C 608	QETN1HM-105Z	E CAPACITOR	1.0MF 20% 50V		C4144	QER61EM-475Z	E CAPACITOR	4.7MF 20% 25V	
C 609	NCS21HJ-101X	C CAPACITOR			C4145	QTE1V06-106Z	E CAPACITOR		
C 610	QFLM1HJ-273Z	M CAPACITOR	.027MF 5% 50V		C4151	NCB21HK-681X	C CAPACITOR		
C 611	NCB21HK-472X	C CAPACITOR			C4242	NCS21HJ-100X	C CAPACITOR		
C 612	NCB21HK-103X	C CAPACITOR			C4243	QER61EM-475Z	E CAPACITOR	4.7MF 20% 25V	
C 613	NCS21HJ-331X	C CAPACITOR			C4244	QER61EM-475Z	E CAPACITOR	4.7MF 20% 25V	
C 614	QFVF1HJ-104Z	TF CAPACITOR	.10MF 5% 50V		C4245	QTE1V06-106Z	E CAPACITOR		
C 615	NCB21HK-223X	C CAPACITOR			C4251	NCB21HK-681X	C CAPACITOR		
C 616	NCB21HK-223X	C CAPACITOR			C4341	QER41CM-476	E CAPACITOR	47MF 20% 16V	
C 617	NCB21HK-223X	C CAPACITOR			C4342	QER61CM-107Z	E CAPACITOR	100MF 20% 16V	
C 618	NCB21HK-222X	C CAPACITOR			C4343	NCS21HJ-151X	C CAPACITOR		
C 619	NCS21HJ-271X	C CAPACITOR			C4344	QER61EM-475Z	E CAPACITOR	4.7MF 20% 25V	
C 620	NCS21HJ-181X	C CAPACITOR			C7351	QETN1HM-226Z	E CAPACITOR	22MF 20% 50V	
C 622	QETN1EM-476Z	E CAPACITOR	47MF 20% 25V		C7352	QETN1HM-226Z	E CAPACITOR	22MF 20% 50V	
C 623	QFVF1HJ-104Z	TF CAPACITOR	.10MF 5% 50V		C7353	NCS21HJ-390X	C CAPACITOR		
C 628	QDX31EM-473Z	C CAPACITOR			C7354	QETN1HM-335Z	E CAPACITOR	3.3MF 20% 50V	
C 629	QETN1AM-107Z	E CAPACITOR	100MF 20% 10V		C7355	QER61HM-474Z	E CAPACITOR	.47MF 20% 50V	
C 631	QETN1AM-477Z	E CAPACITOR	470MF 20% 10V		C7356	QETN1HM-336Z	E CAPACITOR	33MF 20% 50V	
C 632	QKCC1AM-107Z	E CAPACITOR	100MF 20% 10V		C7357	QETN1HM-335Z	E CAPACITOR	3.3MF 20% 50V	
C 640	NCB21HK-822X	C CAPACITOR			C7358	QETN1HM-475Z	E CAPACITOR	4.7MF 20% 50V	
C 641	NCB21HK-223X	C CAPACITOR			C9001	NCS21HJ-220X	C CAPACITOR	SUB CLOCK	
C 651	NCS21HJ-270X	C CAPACITOR			C9002	NCS21HJ-220X	C CAPACITOR	SUB CLOCK	
C 652	NCS21HJ-270X	C CAPACITOR			C9003	NCS21HJ-151X	C CAPACITOR	BEAT	
C 653	NCB21HK-223X	C CAPACITOR			C9004	NCS21HJ-471X	C CAPACITOR		
C 655	QDX31EM-473Z	C CAPACITOR			C9005	NCS21HJ-240X	C CAPACITOR	MAIN CLOCK	
C 661	NCS21HJ-471X	C CAPACITOR			C9006	NCS21HJ-240X	C CAPACITOR	MAIN CLOCK	
C 662	NCB21HK-223X	C CAPACITOR			C9007	NCS21HJ-360X	C CAPACITOR	MAIN CLOCK	
C 663	QFLM1HJ-223Z	M CAPACITOR	.022MF 5% 50V		C9008	NCS21HJ-360X	C CAPACITOR	MAIN CLOCK	
C 664	NCB21HK-223X	C CAPACITOR			C9009	NCB21HK-103X	C CAPACITOR	VDD	
C 665	QFVF1HJ-104Z	TF CAPACITOR	.10MF 5% 50V		C9011	NCB21HK-103X	C CAPACITOR	RESET	
C 671	NCB21HK-222X	C CAPACITOR			C9012	QER61HM-226Z	E.CAPACITOR	22MF 20% 50V	
C 672	NCB21HK-222X	C CAPACITOR			C9013	NCS21HJ-151X	C CAPACITOR		
C 673	QTE1A28-227Z	E CAPACITOR			C9015	NCS21HJ-151X	C CAPACITOR		
C 674	NCB21HK-223X	C CAPACITOR			C9016	NCS21HJ-151X	C CAPACITOR		
C 675	NCB21HK-102X	C CAPACITOR	AG-DG		C9017	NCS21HJ-151X	C CAPACITOR		
C 691	NCS21HJ-151X	C CAPACITOR	DENGEN NOISE		C9018	QER41AM-107	E CAPACITOR	100MF 20% 10V	
C 692	NCS21HJ-151X	C CAPACITOR	DENGEN NOISE		C9019	QER61HM-106Z	E CAPACITOR	BASS	
C 693	NCS21HJ-151X	C CAPACITOR	DENGEN NOISE		C9020	QER61HM-106Z	E CAPACITOR	TRE	
C 694	NCS21HJ-151X	C CAPACITOR	DENGEN NOISE		C9021	QER61HM-106Z	E CAPACITOR	10MF 20% 50V	
C 696	NCS21HJ-101X	C CAPACITOR			C9022	NCB21HK-103X	C CAPACITOR	AVREF	
C 697	NCS21HJ-101X	C CAPACITOR			C9023	NCS21HJ-151X	C CAPACITOR		
C 698	NCS21HJ-101X	C CAPACITOR			C9024	NCS21HJ-101X	C CAPACITOR		
C 699	NCS21HJ-101X	C CAPACITOR			C9025	NCS21HJ-151X	C CAPACITOR		
CN251	QGF1205C1-10	CONNECTOR			C9026	NCS21HJ-151X	C CAPACITOR		
CN252	QGF1205C1-08	CONNECTOR			C9027	NCS21HJ-680X	C CAPACITOR		
CN403	QGF1205C1-09	CONNECTOR			C9031	NCB21HK-103X	C CAPACITOR		
CN405	QGF1205F1-10	CONNECTOR			C9034	NCS21HJ-151X	C CAPACITOR		
CN406	QGF1205F1-09	CONNECTOR			C9035	NCS21HJ-151X	C CAPACITOR		
CN407	QGF1205F1-13	CONNECTOR			C9036	NCS21HJ-151X	C CAPACITOR		
CN408	QGF1205F1-14	CONNECTOR			C9037	NCS21HJ-151X	C CAPACITOR		
CN601	QGF1008F1-15	21-41 CONNECTOR	TO RF		C9038	NCS21HJ-151X	C CAPACITOR		
CN602	QGA2001C1-06	6P PLUG ASSY			C9039	NCB21HK-103X	C CAPACITOR		
CN901	QGF1205F1-10	CONNECTOR			C9040	NCB21HK-102X	C CAPACITOR		
CN902	QGF1205F1-08	CONNECTOR			D 661	1SS133-T2	SI DIODE		
CN904	QGA2501F1-02	CONNECTOR			D2502	SLR-342VR-T15	LED	STAND-BY LED	
CN907	QGA2501C1-02	2P CONNECTOR			D2504	SLR-342MG-T15	LED	ACS IND (GR)	
C2501	QER61AM-226Z	E CAPACITOR	22MF 20% 10V		D2505	1SS133-T2	SI DIODE		
C2502	QER41CM-476	E CAPACITOR	47MF 20% 16V		D2506	SLR-342VR-T15	LED	AHB ON/OFF(R)	
C3361	QER41AM-107	E CAPACITOR	100MF 20% 10V		D2507	1SS133-T2	SI DIODE		

■ Electrical parts list(Micon board)

Block No. 01

△	Item	Parts number	Parts name	Remarks	Area	△	Item	Parts number	Parts name	Remarks	Area
	D2508	SELU2E10C	LED	3MMLED			R 603	NRSA02J-125X	MG RESISTOR		
	D2509	SELU2E10C	LED	3MMLED			R 605	NRSA02J-274X	MG RESISTOR		
	D3361	1SS133-T2	SI DIODE				R 606	NRSA02J-154X	MG RESISTOR		
	D3362	MTZJ3.9B-T2	Z DIODE				R 607	NRSA02J-273X	MG RESISTOR		
	D3363	1SS133-T2	SI DIODE				R 609	NRSA02J-104X	MG RESISTOR		
	D4301	1SS133-T2	SI DIODE				R 610	NRSA02J-154X	MG RESISTOR		
	D4302	1SS133-T2	SI DIODE				R 612	NRSA02J-102X	MG RESISTOR		
	D7351	1SS133-T2	SI DIODE				R 613	NRSA02J-121X	MG RESISTOR		
	D7352	1SS133-T2	SI DIODE				R 614	NRSA02J-100X	MG RESISTOR		
	D7353	1SS133-T2	SI DIODE				R 615	NRSA02J-120X	MG RESISTOR		
	D9001	1SS133-T2	SI DIODE				R 616	NRSA02J-910X	MG RESISTOR		
	D9002	MTZJ5.1C-T2	ZENER DIODE				R 621	NRSA02J-330X	MG RESISTOR		
	D9006	MA700A-T2	S.B.DIODE				R 622	NRSA02J-330X	MG RESISTOR		
	ICH01	VYH7237-002	IC HOLDER	FOR MICON			R 623	NRSA02J-330X	MG RESISTOR		
	IC401	BA15218F-XE	IC	ADDER			R 631	NRSA02J-331X	MG RESISTOR		
	IC601	AN8806SB-W	IC	RF AMP			R 632	NRSA02J-101X	MG RESISTOR		
△	IC602	BA6897FP-W	IC	DRIVER			R 633	NRSA02J-273X	MG RESISTOR		
	IC603	MN35510	IC	1CHIP PROCESSER			R 641	NRSA02J-563X	MG RESISTOR		
	IC751	BA15218F-XE	IC				R 642	NRSA02J-123X	MG RESISTOR		
	IC901	MN171603BJ1	IC	SYSTEM MICON			R 643	NRSA02J-822X	MG RESISTOR		
	IC902	IC-PST9131-T	IC				R 644	NRSA02J-223X	MG RESISTOR		
	IC903	GP1U281X	IC				R 645	NRSA02J-223X	MG RESISTOR		
	J4301	QNS0047-001	JACK	AUX			R 646	NRSA02J-222X	MG RESISTOR		
	J7351	QNS0043-001	JACK				R 647	NRSA02J-472X	MG RESISTOR		
	K 698	QQR0779-001Z	INDUCTOR	B4121			R 651	NRSA02J-102X	MG RESISTOR		
	K 699	QQR0779-001Z	INDUCTOR				R 652	NRSA02J-102X	MG RESISTOR		
	K9001	QQR0779-001Z	INDUCTOR				R 653	NRSA02J-102X	MG RESISTOR		
	L4351	QQR0779-001Z	INDUCTOR				R 654	NRSA02J-102X	MG RESISTOR		
	L4352	QQR0779-001Z	INDUCTOR				R 655	NRSA02J-471X	MG RESISTOR		
	L4353	QQL01BK-100Z	INDUCTOR				R 659	NRSA02J-221X	MG RESISTOR		
	L4354	QQR0779-001Z	INDUCTOR				R 661	NRSA02J-683X	MG RESISTOR		
	L4355	QQL01BK-100Z	INDUCTOR				R 662	NRSA02J-155X	MG RESISTOR		
	L4356	QQR0779-001Z	INDUCTOR				R 663	NRSA02J-124X	MG RESISTOR		
	L9001	QQL01BK-100Z	INDUCTOR				R 664	NRSA02J-471X	MG RESISTOR		
	L9002	QQL01BK-100Z	INDUCTOR				R 666	NRSA02J-220X	MG RESISTOR		
	PL 1	QLL0051-002	LAMP				R 671	NRSA02J-103X	MG RESISTOR		
	Q 601	2SA952/LK/-T	TRANSISTOR				R 672	NRSA02J-103X	MG RESISTOR		
	Q 631	2SA952/LK/-T	TRANSISTOR				R 696	NRSA02J-222X	MG RESISTOR		
	Q2501	DTA124XKA-X	CHIP D.TR				R 697	NRSA02J-474X	MG RESISTOR		
	Q2504	UN2210-X	TRANSISTOR				R2501	NRS181J-271X	MG RESISTOR		
	Q2505	2SC2412K/RS/-X	CHIP TRANSISTOR				R2502	NRSA02J-391X	MG RESISTOR		
	Q2506	DTC124TKA-X	TRANSISTOR				R2503	NRSA02J-391X	MG RESISTOR		
△	Q3361	2SA1037AK/RS/-X	TRANSISTOR	TUNER SW			R2504	NRSA02J-101X	MG RESISTOR		
	Q3362	2SD601A/R/-X	TRANSISTOR				R2505	NRSA02J-101X	MG RESISTOR		
	Q3571	2SB624/4/-X	TRANSISTOR				R2506	NRSA02J-121X	MG RESISTOR		
	Q3572	2SD601A/R/-X	TRANSISTOR				R2507	NRSA02J-151X	MG RESISTOR		
	Q4101	2SD2144S/VW/-T	TRANSISTOR				R2508	NRSA02J-221X	MG RESISTOR		
	Q4102	2SD596/4/-X	TRANSISTOR				R2509	NRSA02J-271X	MG RESISTOR		
	Q4201	2SD2144S/VW/-T	TRANSISTOR				R2510	NRSA02J-391X	MG RESISTOR		
	Q4202	2SD596/4/-X	TRANSISTOR				R2511	NRSA02J-561X	MG RESISTOR		
	Q4301	2SD601A/R/-X	TRANSISTOR				R2512	NRSA02J-102X	MG RESISTOR		
	Q7351	2SD601A/R/-X	TRANSISTOR				R2513	NRSA02J-182X	MG RESISTOR		
	Q7352	2SD601A/R/-X	TRANSISTOR				R2514	NRSA02J-391X	MG RESISTOR		
	Q7353	2SA1037AK/RS/-X	TRANSISTOR				R2515	NRSA02J-473X	MG RESISTOR		
	Q7354	UN2216-X	TRANSISTOR				R2516	NRS181J-473X	MG RESISTOR		
	Q9001	2SC2714/O/-X	TRANSISTOR	MAIN CLOCK			R2518	NRSA02J-223X	MG RESISTOR		
	Q9002	2SC2714/O/-X	TRANSISTOR	MAIN CLOCK			R2520	NRSA02J-391X	MG RESISTOR		
	Q9003	2SD601A/R/-X	TRANSISTOR				R2521	NRSA02J-102X	MG RESISTOR		
	Q9006	2SA1037AK/RS/-X	TRANSISTOR				R2522	NRSA02J-102X	MG RESISTOR		
	Q9010	UN2210-X	TRANSISTOR				R2523	NRSA02J-332X	MG RESISTOR		
	Q9011	UN2210-X	TRANSISTOR				R3361	NRSA02J-390X	MG RESISTOR		
	Q9013	UN2210-X	TRANSISTOR				R3362	NRSA02J-102X	MG RESISTOR		
	R 601	NRSA02J-113X	MG RESISTOR				R3363	NRSA02J-472X	MG RESISTOR		

## ■ Electrical parts list(Micon board)

Block No. 01

△	Item	Parts number	Parts name	Remarks	Area	△	Item	Parts number	Parts name	Remarks	
	R3571	NRSA02J-472X	MG RESISTOR				R9014	NRSA02J-102X	MG RESISTOR		
	R3572	NRSA02J-472X	MG RESISTOR				R9015	NRSA02J-104X	MG RESISTOR		
	R3573	NRSA02J-472X	MG RESISTOR				R9016	NRSA02J-224X	MG RESISTOR		
	R4141	NRSA02J-683X	MG RESISTOR				R9017	NRSA02J-822X	MG RESISTOR		
	R4142	NRSA02J-273X	MG RESISTOR				R9018	NRSA02J-822X	MG RESISTOR		
	R4143	NRSA02J-224X	MG RESISTOR				R9019	NRSA02J-104X	MG RESISTOR		
	R4144	NRSA02J-203X	MG RESISTOR				R9020	NRSA02J-104X	MG RESISTOR		
	R4145	NRSA02J-124X	MG RESISTOR				R9021	NRSA02J-102X	MG RESISTOR		
	R4149	NRSA02J-102X	MG RESISTOR				R9022	NRSA02J-682X	MG RESISTOR		
	R4150	NRSA02J-102X	MG RESISTOR				R9023	NRSA02J-103X	MG RESISTOR		
	R4151	NRSA02J-823X	MG RESISTOR				R9024	NRSA02J-103X	MG RESISTOR		
	R4153	NRSA02J-103X	MG RESISTOR				R9025	NRSA02J-103X	MG RESISTOR		
	R4155	NRSA02J-183X	MG RESISTOR				R9026	NRSA02J-102X	MG RESISTOR		
	R4158	NRSA02J-203X	MG RESISTOR				R9027	NRSA02J-103X	MG RESISTOR		
	R4159	NRSA02J-821X	MG RESISTOR				R9028	NRSA02J-102X	MG RESISTOR		
	R4160	NRSA02J-102X	MG RESISTOR				R9029	NRSA02J-102X	MG RESISTOR		
	R4161	NRSA02J-273X	MG RESISTOR				R9030	NRSA02J-102X	MG RESISTOR		
	R4241	NRSA02J-683X	MG RESISTOR				R9031	NRSA02J-102X	MG RESISTOR		
	R4242	NRSA02J-273X	MG RESISTOR				R9032	NRSA02J-103X	MG RESISTOR		
	R4243	NRSA02J-224X	MG RESISTOR				R9033	NRSA02J-102X	MG RESISTOR		
	R4244	NRSA02J-203X	MG RESISTOR				R9035	NRSA02J-103X	MG RESISTOR		
	R4245	NRSA02J-124X	MG RESISTOR				R9036	NRSA02J-102X	MG RESISTOR		
	R4249	NRSA02J-102X	MG RESISTOR				R9037	NRSA02J-102X	MG RESISTOR		
	R4250	NRSA02J-102X	MG RESISTOR				R9038	NRSA02J-103X	MG RESISTOR		
	R4251	NRSA02J-823X	MG RESISTOR				R9039	NRSA02J-103X	MG RESISTOR		
	R4253	NRSA02J-103X	MG RESISTOR				R9041	NRSA02J-104X	MG RESISTOR		
	R4255	NRSA02J-183X	MG RESISTOR				R9044	NRSA02J-222X	MG RESISTOR		
	R4258	NRSA02J-203X	MG RESISTOR				R9045	NRSA02J-333X	MG RESISTOR		
	R4259	NRSA02J-821X	MG RESISTOR				R9046	NRSA02J-682X	MG RESISTOR		
	R4260	NRSA02J-102X	MG RESISTOR				R9047	NRSA02J-103X	MG RESISTOR		
	R4261	NRSA02J-273X	MG RESISTOR				R9048	NRSA02J-103X	MG RESISTOR		
	R4301	NRSA02J-222X	MG RESISTOR				R9049	NRSA02J-103X	MG RESISTOR		
	R4341	NRSA02J-103X	MG RESISTOR				R9050	NRSA02J-222X	MG RESISTOR		
	R4342	NRSA02J-103X	MG RESISTOR				R9051	NRSA02J-222X	MG RESISTOR		
	R4343	NRSA02J-101X	MG RESISTOR				R9052	NRSA02J-222X	MG RESISTOR		
	R7351	NRS181J-101X	MG RESISTOR				R9053	NRSA02J-222X	MG RESISTOR		
	R7352	NRSA02J-223X	MG RESISTOR				R9054	NRSA02J-222X	MG RESISTOR		
	R7353	NRSA02J-223X	MG RESISTOR				R9055	NRSA02J-222X	MG RESISTOR		
	R7354	NRSA02J-103X	MG RESISTOR				R9056	NRSA02J-222X	MG RESISTOR		
	R7355	NRSA02J-222X	MG RESISTOR				R9057	NRSA02J-103X	MG RESISTOR		
	R7356	NRSA02J-564X	MG RESISTOR				R9059	NRSA02J-102X	MG RESISTOR		
	R7357	NRSA02J-104X	MG RESISTOR				R9061	NRSA02J-104X	MG RESISTOR		
	R7358	NRSA02J-102X	MG RESISTOR				R9062	NRSA02J-104X	MG RESISTOR		
	R7359	NRSA02J-103X	MG RESISTOR				R9063	NRSA02J-104X	MG RESISTOR		
	R7360	NRSA02J-103X	MG RESISTOR				R9065	NRSA02J-563X	MG RESISTOR		
	R7361	NRSA02J-224X	MG RESISTOR				R9066	NRSA02J-473X	MG RESISTOR		
	R7362	NRSA02J-102X	MG RESISTOR				R9067	NRSA02J-333X	MG RESISTOR		
	R7363	NRSA02J-102X	MG RESISTOR				R9068	NRSA02J-104X	MG RESISTOR		
	R7364	NRSA02J-103X	MG RESISTOR				R9069	NRSA02J-102X	MG RESISTOR		
	R7365	NRSA02J-473X	MG RESISTOR				R9070	NRSA02J-102X	MG RESISTOR		
	R7366	NRSA02J-104X	MG RESISTOR				R9071	NRSA02J-223X	MG RESISTOR		
	R9001	NRSA02J-681X	MG RESISTOR				R9072	NRSA02J-333X	MG RESISTOR		
	R9002	NRSA02J-681X	MG RESISTOR				R9073	NRSA02J-222X	MG RESISTOR		
	R9003	NRSA02J-222X	MG RESISTOR				R9074	NRSA02J-103X	MG RESISTOR		
	R9004	NRSA02J-222X	MG RESISTOR				R9075	NRSA02J-102X	MG RESISTOR		
	R9005	NRSA02J-153X	MG RESISTOR				R9076	NRSA02J-102X	MG RESISTOR		
	R9006	NRSA02J-472X	MG RESISTOR				R9077	NRSA02J-472X	MG RESISTOR		
	R9007	NRSA02J-222X	MG RESISTOR				R9078	NRSA02J-223X	MG RESISTOR		
	R9009	NRSA02J-102X	MG RESISTOR				R9079	NRSA02J-243X	MG RESISTOR		
	R9010	NRSA02J-103X	MG RESISTOR				R9080	NRSA02J-243X	MG RESISTOR		
	R9011	NRSA02J-222X	MG RESISTOR				R9081	NRSA02J-912X	MG RESISTOR		
	R9012	NRSA02J-222X	MG RESISTOR				R9082	NRSA02J-102X	MG RESISTOR		
	R9013	NRSA02J-222X	MG RESISTOR				R9083	NRSA02J-473X	MG RESISTOR		

# RV-B550BU

## ■ Electrical parts list(Micon board)

Block No. 01

△	Item	Parts number	Parts name	Remarks	Area
	R9084	NRSA02J-222X	MG RESISTOR		
	R9085	NRSA02J-912X	MG RESISTOR		
	R9086	NRSA02J-473X	MG RESISTOR		
	R9087	NRSA02J-222X	MG RESISTOR		
	R9088	NRSA02J-222X	MG RESISTOR		
	R9089	NRSA02J-103X	MG RESISTOR		
	R9092	NRSA02J-103X	MG RESISTOR		
	R9093	NRSA02J-393X	MG RESISTOR		
	R9094	NRSA02J-473X	MG RESISTOR		
	R9095	NRSA02J-103X	MG RESISTOR		
	R9096	NRSA02J-104X	MG RESISTOR		
	R9097	NRSA02J-683X	MG RESISTOR		
	R9098	NRSA02J-103X	MG RESISTOR		
	R9099	NRSA02J-823X	MG RESISTOR		
	R9101	NRSA02J-102X	MG RESISTOR		
	R9102	NRSA02J-102X	MG RESISTOR		
	S2501	QSW0647-001Z	TACT SW		
	S2502	QSW0647-001Z	TACT SW		
	S2503	QSW0647-001Z	TACT SW		
	S2504	QSW0647-001Z	TACT SW		
	S2505	QSW0647-001Z	TACT SW		
	S2506	QSW0647-001Z	TACT SW		
	S2507	QSW0647-001Z	TACT SW		
	S2508	QSW0647-001Z	TACT SW		
	S2509	QSW0647-001Z	TACT SW		
	S2510	QSW0647-001Z	TACT SW		
	S2511	QSW0647-001Z	TACT SW		
	S2512	QSW0647-001Z	TACT SW		
	S2513	QSW0647-001Z	TACT SW		
	S2514	QSW0647-001Z	TACT SW		
	S2515	QSW0647-001Z	TACT SW		
△	S2521	QSW0122-001	PUSH SWITCH		
	VR731	QVQ0112-B24	V RESISTOR		
	WC101	QZW0038-001	WIRE CLAMP		
	WC102	QZW0038-001	WIRE CLAMP		
	X 651	QAX0369-001Z	CERA LOCK	16.9344MHZ	
	X9001	QAX0401-001	CRYSTAL	SUB CLOCK	
	X9002	QAX0410-001Z	CERA LOCK	MAIN CLOCK	

## ■ Electrical parts list(Main board)

Block No. 02

△	Item	Parts number	Parts name	Remarks	Area	△	Item	Parts number	Parts name	Remarks	Area
	C 3	QCSB1HK-6R8Y	C CAPACITOR	6.8PF 10% 50V			C3303	QFVJ1HJ-334Z	M CAPACITOR	.33MF 5% 50V	
	C 6	QDYB1CM-103Y	C CAPACITOR				C3304	QETN1CM-107Z	E CAPACITOR	100MF 20% 16V	
	C 7	QCS11HJ-200	C CAPACITOR	20PF 5% 50V			C3791	QDYB1CM-103Y	C CAPACITOR		
	C 9	QCSB1HJ-120Y	C CAPACITOR	12PF 5% 50V			C3901	QETN1AM-107Z	E CAPACITOR	100MF 20% 10V	
	C 13	QDX31EM-223Z	C CAPACITOR				C3902	QDX31EM-104Z	C CAPACITOR		
	C 16	QDYB1CM-103Y	C CAPACITOR				C5101	QFLM1HJ-222Z	M CAPACITOR	2200PF 5% 50V	
	C 17	QCS11HJ-200	C CAPACITOR	6.8PF 10% 50V			C5102	QTE1H28-475Z	E CAPACITOR		
	C 21	QDX31EM-473Z	C CAPACITOR				C5103	QTE1H06-475Z	E CAPACITOR		
	C 22	QFP31HJ-431Z	PP CAPACITOR	430PF 5% 50V			C5104	QFLM1HJ-563Z	M CAPACITOR	.056MF 5% 50V	
	C 23	QDCB1HK-4R7Y	C CAPACITOR				C5105	QFLM1HJ-563Z	M CAPACITOR	.056MF 5% 50V	
	C 25	QDX31EM-223Z	C CAPACITOR				C5106	QFLM1HJ-562Z	M CAPACITOR	5600PF 5% 50V	
	C 26	QFLM1HJ-472Z	M CAPACITOR	4700PF 5% 50V			C5201	QFLM1HJ-222Z	M CAPACITOR	2200PF 5% 50V	
	C 31	QDGB1HK-102Y	C CAPACITOR				C5202	QTE1H28-475Z	E CAPACITOR		
	C 32	QDYB1CM-103Y	C CAPACITOR				C5203	QTE1H06-475Z	E CAPACITOR		
	C 33	QETN1AM-107Z	E CAPACITOR	100MF 20% 10V			C5204	QFLM1HJ-563Z	M CAPACITOR	.056MF 5% 50V	
	C 35	QDYB1CM-103Y	C CAPACITOR				C5205	QFLM1HJ-563Z	M CAPACITOR	.056MF 5% 50V	
	C 36	QETN1HM-475Z	E CAPACITOR	4.7MF 20% 50V			C5206	QFLM1HJ-562Z	M CAPACITOR	5600PF 5% 50V	
	C 37	QDGB1HK-102Y	C CAPACITOR				C5301	QETN1HM-106Z	E CAPACITOR	10MF 20% 50V	
	C 41	QETN1CM-106Z	E CAPACITOR	10MF 20% 16V			C5302	QETN1HM-105Z	E CAPACITOR	1.0MF 20% 50V	
	C 42	QDX31EM-473Z	C CAPACITOR				C5303	QETN1HM-225Z	E CAPACITOR	2.2MF 20% 50V	
	C 43	QDYB1CM-103Y	C CAPACITOR				C5304	QETN1HM-105Z	E CAPACITOR	1.0MF 20% 50V	
	C 44	QETN1HM-104Z	E CAPACITOR	.10MF 20% 50V			C5305	QETN1HM-106Z	E CAPACITOR	10MF 20% 50V	
	C 45	QETN1HM-474Z	E CAPACITOR	.47MF 20% 50V			C5306	QETN1HM-225Z	E CAPACITOR	2.2MF 20% 50V	
	C 47	QDX31EM-123Z	C CAPACITOR				C5307	QFLM1HJ-473Z	M CAPACITOR	.047MF 5% 50V	
	C 48	QDX31EM-123Z	C CAPACITOR				C5309	QETN1HM-474Z	E CAPACITOR	.47MF 20% 50V	
	C 49	QETN1HM-104Z	E CAPACITOR	.10MF 20% 50V			C6101	QTE1H06-475Z	E CAPACITOR		
	C 50	QETN1HM-104Z	E CAPACITOR	.10MF 20% 50V			C6102	QCBB1HK-151Y	C CAPACITOR	150PF 10% 50V	
	C 51	QCBB1HK-331Y	C CAPACITOR	330PF 10% 50V			C6103	QFVF1HJ-104Z	TF CAPACITOR	.10MF 5% 50V	
	C 52	QDGB1HK-102Y	C CAPACITOR				C6104	QFVF1HJ-104Z	TF CAPACITOR	.10MF 5% 50V	
	C 56	QDGB1HK-102Y	C CAPACITOR				C6201	QTE1H06-475Z	E CAPACITOR		
	C 60	QDGB1HK-102Y	C CAPACITOR				C6202	QCBB1HK-151Y	C CAPACITOR	150PF 10% 50V	
	C 61	QETN1AM-107Z	E CAPACITOR	100MF 20% 10V			C6203	QFVF1HJ-104Z	TF CAPACITOR	.10MF 5% 50V	
	C 62	QDCB1HJ-120Y	C CAPACITOR				C6204	QFVF1HJ-104Z	TF CAPACITOR	.10MF 5% 50V	
	C 63	QDGB1HK-102Y	C CAPACITOR				C6301	QTE1C28-227Z	E CAPACITOR		
	C 64	QDCB1HJ-120Y	C CAPACITOR				C6302	QETN1EM-336Z	E CAPACITOR	33MF 20% 25V	
	C 65	QDGB1HK-102Y	C CAPACITOR				C6303	QETN1HM-225Z	E CAPACITOR	2.2MF 20% 50V	
	C 66	QCBB1HK-151Y	C CAPACITOR	150PF 10% 50V			C6304	QETN1HM-225Z	E CAPACITOR	2.2MF 20% 50V	
	C 69	QDXB1CM-222Y	C CAPACITOR				C6305	QETN1EM-107Z	E CAPACITOR	100MF 20% 25V	
	C 70	QETN1HM-225Z	E CAPACITOR	2.2MF 20% 50V			C6306	QETN1HM-105Z	E CAPACITOR	1.0MF 20% 50V	
	C 71	QETN1HM-335Z	E CAPACITOR	3.3MF 20% 50V			C6307	QETN1HM-105Z	E CAPACITOR	1.0MF 20% 50V	
	C 74	QCBB1HK-221Y	C CAPACITOR	220PF 10% 50V			C6308	QFV41HJ-473	CAPACITOR	.047MF 5% 50V	
	C 75	QDCB1HK-6R8Y	C CAPACITOR				C6309	QFV41HJ-473	CAPACITOR	.047MF 5% 50V	
	C 76	QDX31EM-103Z	C CAPACITOR				C6314	QTE1E28-476Z	E CAPACITOR		
	C 77	QDGB1HK-102Y	C CAPACITOR				C6315	QETM1EM-688	E CAPACITOR	6800MF 20% 25V	
	C 78	QDCB1HK-5R6Y	C CAPACITOR				C6321	QETN1HM-106Z	E CAPACITOR	10MF 20% 50V	
	CF 1	QAX0403-001	C FILTER				C8101	QFN31HJ-124Z	M CAPACITOR	.12MF 5% 50V	
	CF 3	QAX0404-001Z	C FILTER				C8102	QFN31HJ-124Z	M CAPACITOR	.12MF 5% 50V	
	CF 4	QAX0409-001	CERA LOCK				C8103	QTE1E06-226Z	E CAPACITOR		
	CN 1	QGF1205C1-09	CONNECTOR	TO MAIN			C8105	QFVF1HJ-684Z	TF CAPACITOR	.68MF 5% 50V	
	CN191	QGA2501C1-05	5P CONNECTOR				C8106	QCS11HJ-150	C CAPACITOR	15PF 5% 50V	
	CN192	QGA3901C1-02	CONNECTOR				C8201	QFN31HJ-124Z	M CAPACITOR	.12MF 5% 50V	
	CN193	QGA7901C1-04	CONNECTOR				C8202	QFN31HJ-124Z	M CAPACITOR	.12MF 5% 50V	
	CN631	QGF1205C1-13	CONNECTOR				C8203	QTE1E06-226Z	E CAPACITOR		
	CN632	QGF1205C1-14	CONNECTOR				C8205	QFVF1HJ-684Z	TF CAPACITOR	.68MF 5% 50V	
	CN633	QGB2501K1-04	CONNECTOR				C8206	QCS11HJ-150	C CAPACITOR	15PF 5% 50V	
	C1901	QFLM1HJ-683Z	M CAPACITOR	.068MF 5% 50V			C8301	QETN1CM-476Z	E CAPACITOR	47MF 20% 16V	
	C1902	QFLM1HJ-683Z	M CAPACITOR	.068MF 5% 50V			C8303	QETN1HM-104Z	E CAPACITOR	.10MF 20% 50V	
	C1903	QFLM1HJ-683Z	M CAPACITOR	.068MF 5% 50V			C8304	QETN1HM-475Z	E CAPACITOR	4.7MF 20% 50V	
	C1904	QFLM1HJ-683Z	M CAPACITOR	.068MF 5% 50V			C8305	QETN1HM-106Z	E CAPACITOR	10MF 20% 50V	
	C3191	QTE1V06-226Z	E CAPACITOR				C8322	QETN1CM-476Z	E CAPACITOR	47MF 20% 16V	
	C3192	QETN1EM-107Z	E CAPACITOR	100MF 20% 25V			C8351	QCS11HJ-680	C CAPACITOR	68PF 5% 50V	
	C3301	QDYB1CM-103Y	C CAPACITOR				C8352	QCBB1HK-221Y	C CAPACITOR	220PF 10% 50V	
	C3302	QETN1CM-107Z	E CAPACITOR	100MF 20% 16V			C8353	QCBB1HK-221Y	C CAPACITOR	220PF 10% 50V	

## ■ Electrical parts list(Main board)

Block No. 02

△	Item	Parts number	Parts name	Remarks	Area	△	Item	Parts number	Parts name	Remarks	Area
	C8354	QCS11HJ-330	C CAPACITOR	33PF 5% 50V			L 3	QQR0770-001	BAR ANTENA	MW RF	
	C8355	QFVJ1HJ-393Z	CAPACITOR	.039MF 5% 50V			L 4	QQR0723-001	OSC COIL	MW OSC	
	C8356	QETN1CM-107Z	E CAPACITOR	100MF 20% 16V			L 6	QQR0775-001	OSC COIL		
	C8357	QCBB1HK-101Y	C CAPACITOR	100PF 10% 50V			L 7	QLL231K-221Y	INDUCTOR		
	C8358	QETN1HM-226Z	E CAPACITOR	22MF 20% 50V			L 12	QQR0756-001	INDUCTOR		
	C8359	QETN1HM-106Z	E CAPACITOR	10MF 20% 50V			L 13	QQR0874-001	COIL		
	C8360	QFLM1HJ-272Z	M CAPACITOR	2700PF 5% 50V			Q 3	2SC2668/O/-T	TRANSISTOR		
	C8361	QFLM1HJ-104Z	M CAPACITOR	.10MF 5% 50V			Q 4	2SA1175/HFE/-T	TRANSISTOR		
	C8362	QFLM1HJ-473Z	M CAPACITOR	.047MF 5% 50V			Q 5	2SC2668/O/-T	TRANSISTOR		
	C8363	QCBB1HK-101Y	C CAPACITOR	100PF 10% 50V			Q 6	2SC2668/O/-T	TRANSISTOR		
	C8364	QDYB1CM-103Y	C CAPACITOR				Q 16	2SC2668/O/-T	TRANSISTOR		
	D 1	SVC203SPA-JV-T	VARI CAP				Q 17	DTA114YSA-T	D.TR		
	D 2	SVC203SPA-JV-T	VARI CAP				Q3191	DTA114TSA-T	D.TR		
	D 5	1SS133-T2	SI DIODE			△	Q3192	2SB1565/EF/	TRANSISTOR		
	D 6	1SS133-T2	SI DIODE				Q3193	2SA1175/HFE/-T	TRANSISTOR		
	D 8	SVC344-T	VARI CAP				Q3194	2SC2785/FE/-T	TRANSISTOR		
	D 10	SVC344-T	VARI CAP				Q3198	DTC114TSA-T	D.TRANSISTOR		
	D 12	DSK10C-T1	DIODE				Q3791	2SC2785/HFE/-T	TRANSISTOR		
△	D1901	KBU603G-A3	DIODE				Q5101	2SK105/EF/-T	TRANSISTOR(FET)		
	D1902	1N5401-TM	DIODE				Q5201	2SK105/EF/-T	TRANSISTOR(FET)		
	D3192	MTZJ3.0B-T2	Z.DIODE				Q6101	2SD2144S/VW/-T	TRANSISTOR		
	D3194	MTZJ7.5A-T2	Z.DIODE				Q6201	2SD2144S/VW/-T	TRANSISTOR		
	D3195	1SS133-T2	SI DIODE				Q6301	DTA114ESA-T	DIGITAL.TR TAPE	MUTE DRIV	
	D3301	1SS133-T2	SI DIODE				Q8101	2SC2785/FE/-T	TRANSISTOR		
	D3302	1SS133-T2	SI DIODE				Q8102	2SC2785/FE/-T	TRANSISTOR		
	D3791	MTZJ6.2A-T2	Z.DIODE IDM				Q8103	2SC2785/FE/-T	TRANSISTOR		
	D3901	MTZJ8.2B-T2	DIODE				Q8201	2SC2785/FE/-T	TRANSISTOR		
	D6301	1SS133-T2	SI DIODE				Q8202	2SC2785/FE/-T	TRANSISTOR		
	D6302	1SS133-T2	SI DIODE				Q8203	2SC2785/FE/-T	TRANSISTOR		
	D6303	1SS133-T2	SI DIODE				Q8301	DTC144TSA-T	D.TR		
	D6304	1SS133-T2	SI DIODE				Q8302	DTA114ESA-T	DIGITAL.TR TAPE		
	D8301	MTZJ4.3B-T2	ZENER DIODE				Q8351	DTC124TSA-T	TRANSISTOR		
	D8302	1SS133-T2	SI DIODE				Q8352	2SA1175/HFE/-T	TRANSISTOR		
	D8303	1SS133-T2	SI DIODE				Q8353	2SC2785/HFE/-T	TRANSISTOR		
	D8304	1SS133-T2	SI DIODE				Q8354	2SC2785/HFE/-T	TRANSISTOR		
	D8351	1SS133-T2	SI DIODE				R 1	QRE141J-104Y	C RESISTOR	100K 5% 1/4W	
	D8352	1SS133-T2	SI DIODE				R 2	QRE141J-473Y	C RESISTOR	47K 5% 1/4W	
	D8353	1SS133-T2	SI DIODE				R 3	QRE141J-4R7Y	C RESISTOR	4.7 5% 1/4W	
	D8354	1SS133-T2	SI DIODE				R 7	QRE141J-104Y	C RESISTOR	100K 5% 1/4W	
	D8355	1SS133-T2	SI DIODE				R 9	QRE141J-102Y	C RESISTOR	1.0K 5% 1/4W	
	D8356	1SS133-T2	SI DIODE				R 12	QRE141J-472Y	C RESISTOR	4.7K 5% 1/4W	
	D8357	1SS133-T2	SI DIODE				R 13	QRE141J-104Y	C RESISTOR	100K 5% 1/4W	
	D8358	1SS133-T2	SI DIODE				R 15	QRE141J-222Y	C RESISTOR	2.2K 5% 1/4W	
	FW251	QJL008-026802	SIN CR B-B WIRE	TO FW261 SPK LE			R 16	QRE141J-472Y	C RESISTOR	4.7K 5% 1/4W	
	FW256	QJK005-021002	SIN CL C-B WIRE	CD OPEN/CLOSE S			R 17	QRE141J-104Y	C RESISTOR	100K 5% 1/4W	
	FW401	QJL007-021002	SIN CR B-B WIRE	TO FW402 LAMP W			R 18	QRE141J-102Y	C RESISTOR	1.0K 5% 1/4W	
	FW601	WJK0042-001A	E-SI C WIRE C-B	AMP-DENGEN			R 20	QRE141J-102Y	C RESISTOR	1.0K 5% 1/4W	
	FW901	WJK0044-001A	E-SI C WIRE C-B	TRANS WIRE			R 21	QRE141J-103Y	C RESISTOR	10K 5% 1/4W	
	FW902	WJK0043-001A	E-SI C WIRE C-B	TRANS WIRE			R 28	QRE141J-512Y	C RESISTOR	5.1K 5% 1/4W	
	FW914	QJK002-024002	SIN CR C-B WIRE	MICON PWB - SPK			R 30	QRE141J-104Y	C RESISTOR	100K 5% 1/4W	
	IC 1	TA2008AN	IC				R 32	QRE141J-223Y	C RESISTOR	22K 5% 1/4W	
	IC 2	LC72136N	IC				R 33	QRE141J-101Y	C RESISTOR	100 5% 1/4W	
△	IC310	BA44W12ST-V5/Z1	IC				R 34	QRE141J-393Y	C RESISTOR	39K 5% 1/4W	
△	IC390	KIA78DL06PI	IC				R 35	QRE141J-393Y	C RESISTOR	39K 5% 1/4W	
	IC501	BH3852S	IC				R 37	QRE141J-560Y	C RESISTOR	56 5% 1/4W	
△	IC631	LA4705NA	IC	<111>			R 40	QRE141J-222Y	C RESISTOR	2.2K 5% 1/4W	
	IC801	BA15218N	IC	BB AMP			R 41	QRE141J-222Y	C RESISTOR	2.2K 5% 1/4W	
	IC831	BA15218N	IC				R 42	QRE141J-473Y	C RESISTOR	47K 5% 1/4W	
△	J1901	QNC0042-001	AC SOCKET				R 44	QRE141J-222Y	C RESISTOR	2.2K 5% 1/4W	
	J1902	QNA0016-001	DC JACK				R 45	QRE141J-102Y	C RESISTOR	1.0K 5% 1/4W	
	J6301	QNS0072-001	HEADPHONE JACK				R 46	QRE141J-103Y	C RESISTOR	10K 5% 1/4W	
	L 1	QQR0772-001	OSC COIL	FM OSC			R 47	QRE141J-471Y	C RESISTOR	470 5% 1/4W	
	L 2	QQR0769-001	RF COIL	FM RF			R 48	QRE141J-102Y	C RESISTOR	1.0K 5% 1/4W	



## ■ Electrical parts list(Main board)

Block No. 02

△	Item	Parts number	Parts name	Remarks	Area	△	Item	Parts number	Parts name	Remarks	Area
	R 51	QRE141J-102Y	C RESISTOR	1.0K 5% 1/4W			R6208	QRE141J-102Y	C RESISTOR	1.0K 5% 1/4W	
	R 52	QRE141J-472Y	C RESISTOR	4.7K 5% 1/4W			R6301	QRE141J-103Y	C RESISTOR	10K 5% 1/4W	
	R 54	QRE141J-222Y	C RESISTOR	2.2K 5% 1/4W			R6302	QRE141J-153Y	C RESISTOR	15K 5% 1/4W	
	R 55	QRE141J-222Y	C RESISTOR	2.2K 5% 1/4W			R6303	QRE141J-153Y	C RESISTOR	15K 5% 1/4W	
	R 56	QRE141J-332Y	C RESISTOR	3.3K 5% 1/4W			R6325	QRE141J-153Y	C RESISTOR	15K 5% 1/4W	
	R 57	QRE141J-102Y	C RESISTOR	1.0K 5% 1/4W			R8101	QRE141J-272Y	C RESISTOR	2.7K 5% 1/4W	
	R 59	QRE141J-102Y	C RESISTOR	1.0K 5% 1/4W			R8102	QRE141J-562Y	C RESISTOR	5.6K 5% 1/4W	
	R 60	QRE141J-102Y	C RESISTOR	1.0K 5% 1/4W			R8103	QRE141J-182Y	C RESISTOR	1.8K 5% 1/4W	
	R 61	QRE141J-102Y	C RESISTOR	1.0K 5% 1/4W			R8104	QRE141J-184Y	C RESISTOR	180K 5% 1/4W	
	R 64	QRE141J-102Y	C RESISTOR	1.0K 5% 1/4W			R8105	QRE141J-821Y	C RESISTOR	820 5% 1/4W	
	R 66	QRE141J-103Y	C RESISTOR	10K 5% 1/4W			R8107	QRE141J-153Y	C RESISTOR	15K 5% 1/4W	
	R 71	QRE141J-472Y	C RESISTOR	4.7K 5% 1/4W			R8108	QRE141J-152Y	C RESISTOR	1.5K 5% 1/4W	
	R 72	QRE141J-473Y	C RESISTOR	47K 5% 1/4W			R8109	QRE141J-474Y	C RESISTOR	470K 5% 1/4W	
	R1901	QRE141J-103Y	C RESISTOR	AC/DC			R8111	QRE141J-104Y	C RESISTOR	100K 5% 1/4W	
	R3191	QRE141J-391Y	C RESISTOR	390 5% 1/4W			R8113	QRE141J-472Y	C RESISTOR	4.7K 5% 1/4W	
	R3192	QRE141J-391Y	C RESISTOR	390 5% 1/4W			R8114	QRE141J-821Y	C RESISTOR	820 5% 1/4W	
	R3193	QRE141J-104Y	C RESISTOR	100K 5% 1/4W			R8115	QRE141J-104Y	C RESISTOR	100K 5% 1/4W	
	R3194	QRE141J-103Y	C RESISTOR	10K 5% 1/4W			R8116	QRE141J-154Y	C RESISTOR	150K 5% 1/4W	
	R3195	QRE141J-1R2Y	C RESISTOR	1.2 5% 1/4W			R8117	QRE141J-103Y	C RESISTOR	10K 5% 1/4W	
	R3196	QRE141J-1R2Y	C RESISTOR	1.2 5% 1/4W			R8201	QRE141J-272Y	C RESISTOR	2.7K 5% 1/4W	
	R3197	QRE141J-1R2Y	C RESISTOR	1.2 5% 1/4W			R8202	QRE141J-562Y	C RESISTOR	5.6K 5% 1/4W	
	R3201	QRE141J-152Y	C RESISTOR	1.5K 5% 1/4W			R8203	QRE141J-182Y	C RESISTOR	1.8K 5% 1/4W	
	R3202	QRE141J-152Y	C RESISTOR	1.5K 5% 1/4W			R8204	QRE141J-184Y	C RESISTOR	180K 5% 1/4W	
	R3203	QRE141J-103Y	C RESISTOR	10K 5% 1/4W			R8205	QRE141J-821Y	C RESISTOR	820 5% 1/4W	
	R3204	QRE141J-222Y	C RESISTOR	2.2K 5% 1/4W			R8207	QRE141J-153Y	C RESISTOR	15K 5% 1/4W	
	R3301	QRE141J-102Y	C RESISTOR	1.0K 5% 1/4W			R8208	QRE141J-152Y	C RESISTOR	1.5K 5% 1/4W	
	R3302	QRE141J-682Y	C RESISTOR	6.8K 5% 1/4W			R8209	QRE141J-474Y	C RESISTOR	470K 5% 1/4W	
	R3303	QRE141J-392Y	C RESISTOR	3.9K 5% 1/4W			R8211	QRE141J-104Y	C RESISTOR	100K 5% 1/4W	
	R3304	QRE141J-682Y	C RESISTOR	6.8K 5% 1/4W			R8213	QRE141J-472Y	C RESISTOR	4.7K 5% 1/4W	
	R3305	QRE141J-392Y	C RESISTOR	3.9K 5% 1/4W			R8214	QRE141J-821Y	C RESISTOR	820 5% 1/4W	
	R3791	QRE141J-103Y	C RESISTOR	10K 5% 1/4W			R8215	QRE141J-104Y	C RESISTOR	100K 5% 1/4W	
	R3792	QRE141J-104Y	C RESISTOR	100K 5% 1/4W			R8216	QRE141J-154Y	C RESISTOR	150K 5% 1/4W	
	R3793	QRE141J-103Y	C RESISTOR	10K 5% 1/4W			R8217	QRE141J-103Y	C RESISTOR	10K 5% 1/4W	
	R3794	QRE141J-683Y	C RESISTOR	68K 5% 1/4W			R8301	QRE141J-152Y	C RESISTOR	1.5K 5% 1/4W	
	R3901	QRZ9006-4R7X	F RESISTOR	4.7 1/0W			R8302	QRE141J-474Y	C RESISTOR	470K 5% 1/4W	
	R5101	QRE141J-153Y	C RESISTOR	15K 5% 1/4W			R8303	QRE141J-223Y	C RESISTOR	22K 5% 1/4W	
	R5102	QRE141J-123Y	C RESISTOR	12K 5% 1/4W			R8304	QRE141J-223Y	C RESISTOR	22K 5% 1/4W	
	R5104	QRE141J-224Y	C RESISTOR	220K 5% 1/4W			R8305	QRE141J-153Y	C RESISTOR	15K 5% 1/4W	
	R5201	QRE141J-153Y	C RESISTOR	15K 5% 1/4W			R8306	QRE141J-473Y	C RESISTOR	47K 5% 1/4W	
	R5202	QRE141J-123Y	C RESISTOR	12K 5% 1/4W			R8321	QRE141J-101Y	C RESISTOR	100 5% 1/4W	
	R5204	QRE141J-224Y	C RESISTOR	220K 5% 1/4W			R8327	QRE141J-223Y	C RESISTOR	22K 5% 1/4W	
	R5301	QRE141J-104Y	C RESISTOR	100K 5% 1/4W			R8351	QRE141J-473Y	C RESISTOR	47K 5% 1/4W	
	R5302	QRE141J-333Y	C RESISTOR	33K 5% 1/4W			R8352	QRE141J-104Y	C RESISTOR	100K 5% 1/4W	
	R5303	QRE141J-104Y	C RESISTOR	100K 5% 1/4W			R8354	QRE141J-101Y	C RESISTOR	100 5% 1/4W	
	R5305	QRE141J-101Y	C RESISTOR	100 5% 1/4W			R8355	QRE141J-474Y	C RESISTOR	470K 5% 1/4W	
	R5306	QRE141J-475Y	C RESISTOR	4.7M 5% 1/4W			R8356	QRE141J-124Y	C RESISTOR	120K 5% 1/4W	
	R5307	QRE141J-475Y	C RESISTOR	4.7M 5% 1/4W			R8357	QRE141J-101Y	C RESISTOR	100 5% 1/4W	
	R5308	QRE141J-154Y	C RESISTOR	150K 5% 1/4W			R8358	QRE141J-475Y	C RESISTOR	4.7M 5% 1/4W	
	R6101	QRE141J-2R2Y	C RESISTOR	2.2 5% 1/4W			R8359	QRE141J-102Y	C RESISTOR	1.0K 5% 1/4W	
	R6102	QRE141J-2R2Y	C RESISTOR	2.2 5% 1/4W			R8360	QRE141J-822Y	C RESISTOR	8.2K 5% 1/4W	
	R6103	QRE141J-121Y	C RESISTOR	120 5% 1/4W			R8361	QRE141J-473Y	C RESISTOR	47K 5% 1/4W	
	R6104	QRE141J-471Y	C RESISTOR	470 5% 1/4W			R8362	QRE141J-822Y	C RESISTOR	8.2K 5% 1/4W	
	R6105	QRE141J-393Y	C RESISTOR	39K 5% 1/4W			R8363	QRE141J-101Y	C RESISTOR	100 5% 1/4W	
	R6106	QRE141J-393Y	C RESISTOR	39K 5% 1/4W			R8364	QRE141J-473Y	C RESISTOR	47K 5% 1/4W	
	R6107	QRE141J-562Y	C RESISTOR	5.6K 5% 1/4W			R8365	QRE141J-101Y	C RESISTOR	100 5% 1/4W	
	R6108	QRE141J-102Y	C RESISTOR	1.0K 5% 1/4W			R8366	QRE141J-224Y	C RESISTOR	220K 5% 1/4W	
	R6201	QRE141J-2R2Y	C RESISTOR	2.2 5% 1/4W			R8367	QRE141J-151Y	C RESISTOR	150 5% 1/4W	
	R6202	QRE141J-2R2Y	C RESISTOR	2.2 5% 1/4W			R8368	QRE141J-473Y	C RESISTOR	47K 5% 1/4W	
	R6203	QRE141J-121Y	C RESISTOR	120 5% 1/4W			R8369	QRE141J-473Y	C RESISTOR	47K 5% 1/4W	
	R6204	QRE141J-471Y	C RESISTOR	470 5% 1/4W			R8370	QRE141J-275Y	C RESISTOR	2.7M 5% 1/4W	
	R6205	QRE141J-393Y	C RESISTOR	39K 5% 1/4W			R8372	QRE141J-103Y	C RESISTOR	10K 5% 1/4W	
	R6206	QRE141J-393Y	C RESISTOR	39K 5% 1/4W			R8373	QRE141J-103Y	C RESISTOR	10K 5% 1/4W	
	R6207	QRE141J-562Y	C RESISTOR	5.6K 5% 1/4W			△ S1901	QSW0555-001	VOLTAGE SELCTOR		

# RV-B550BU

## ■ Electrical parts list(Main board)

Block No. 02

△	Item	Parts number	Parts name	Remarks	Area
	T 2	QQR0719-001	I.F.TRANSFORME		
	TC 2	QAT3725-200Z	T CAPACITOR	MW RF	
	TC 3	QAT3725-100Z	T CAPACITOR		
	TP 1	QNZ0104-001	POST PIN	TO ROD ANT	
	TP 2	QNZ0104-001	POST PIN	GND	
	W 1	QUB223-19HPHP	SIN TWIST WIRE	BATT WIRE(UM-3)	
	W 3	QUB231-15HPHP	SIN TWIST WIRE		
	W 4	QUB233-06HPHP	SIN TWIST WIRE		
	X 1	QAX0402-001	CRYSTAL		
	Z1901	QNG0020-001Z	FUSE CLIP		
	Z1902	QNG0020-001Z	FUSE CLIP	FOR F1902	
	Z1904	QNG0020-001Z	FUSE CLIP	FOR F1904	
	Z1911	QNG0020-001Z	FUSE CLIP		
	Z1922	QNG0020-001Z	FUSE CLIP	FOR F1902	
	Z1944	QNG0020-001Z	FUSE CLIP	FOR F1904	

## ■ Electrical parts list(Switch board)

Block No. 03

△	Item	Parts number	Parts name	Remarks	Area
	CN 1	QGB2011L1-10	10P PLUG ASSY		
	D 1	1SR139-400-T2	SI DIODE		
	IC 1	SG-105F3-BB,C	PHOTO SENSER		
	P 1	QNZ0104-001	POST PIN		
	SW 1	QSW0832-001	CASSETTE SWITCH	R.REC	
	SW 2	QSW0832-001	CASSETTE SWITCH	TAPE	
	SW 4	QSW0832-001	CASSETTE SWITCH	70U	
	SW 5	QSW0832-001	CASSETTE SWITCH	F.REC	
	SW 6	QSW0859-001	SWITCH		

## ■ Electrical parts list(Head AMP.board)

Block No. 04

△	Item	Parts number	Parts name	Remarks	Area	△	Item	Parts number	Parts name	Remarks	Area
	C 101	NCS21HJ-821X	C CAPACITOR	820PF 5% 50V			IC 33	BU4094BCF-X	IC		
	C 102	NCS21HJ-221X	C CAPACITOR	220PF 5% 50V			L 301	QQR0620-001	OSC COIL(BIAS)		
	C 103	QEKJ0JM-227Z	E CAPACITOR	220MF 20% 6.3V			L 303	QLL01BK-100Z	INDUCTOR		
	C 104	NCB21HK-333X	C CAPACITOR	.033MF 10% 50V			Q 101	DTC114TKA-X	TRANSISTOR		
	C 105	NCB21HK-222X	C CAPACITOR	2200PF 10% 50V			Q 102	DTC114TKA-X	TRANSISTOR	REC EQ CONT.	
	C 106	QEKJ1CM-106Z	E CAPACITOR	10MF 20% 16V			Q 201	DTC114TKA-X	TRANSISTOR		
	C 107	NCS21HJ-561X	C CAPACITOR	560PF 5% 50V			Q 202	DTC114TKA-X	TRANSISTOR	REC EQ CONT.	
	C 108	QEKJ1EM-475Z	E CAPACITOR	4.7MF 20% 25V			Q 301	DTA144EKA-X	TRANSISTOR	REC EQ CONT.	
	C 109	QEKJ1EM-475Z	E CAPACITOR	4.7MF 20% 25V			Q 302	2SC2001/K/-T	TR I/M		
	C 110	NCB21HK-682X	C.CAPA. C.M	6800PF 10% 50V			Q 303	2SC2001/K/-T	TR I/M		
	C 111	NCB21HK-122X	C CAPACITOR	1200PF 10% 50V			Q 304	2SC2001/LK/-T	TRANSISTOR		
	C 112	NCB21EK-683X	C CAPACITOR	.068MF 10% 25V			Q 305	2SC2001/LK/-T	TRANSISTOR		
	C 113	NCB21HK-222X	C CAPACITOR	2200PF 10% 50V			Q 306	2SC2412K/RS/-X	CHIP TR.C.M		
	C 121	NCS21HJ-331X	C CAPACITOR	330PF 5% 50V			Q 307	2SC2412K/RS/-X	CHIP TR.C.M		
	C 201	NCS21HJ-821X	C CAPACITOR	820PF 5% 50V			Q 308	2SC2412K/RS/-X	CHIP TR.C.M		
	C 202	NCS21HJ-221X	C CAPACITOR	220PF 5% 50V			Q 309	2SC2412K/RS/-X	CHIP TR.C.M		
	C 203	QEKJ0JM-227Z	E CAPACITOR	220MF 20% 6.3V			Q 321	DTC144EKA-X	TRANSISTOR		
	C 204	NCB21HK-333X	C CAPACITOR	.033MF 10% 50V			Q 323	2SC2412K/RS/-X	CHIP TR.C.M		
	C 205	NCB21HK-222X	C CAPACITOR	2200PF 10% 50V			Q 371	2SA952/LK/-T	TRANSISTOR	MOTER+B	
	C 206	QEKJ1CM-106Z	E CAPACITOR	10MF 20% 16V			Q 372	DTC124EKA-X	TRANSISTOR		
	C 207	NCS21HJ-561X	C CAPACITOR	560PF 5% 50V			Q 375	2SB562/C/-T	TRANSISTOR	SOLENOID DRIVE	
	C 208	QEKJ1EM-475Z	E CAPACITOR	4.7MF 20% 25V			Q 376	2SC2412K/RS/-X	CHIP TR.C.M		
	C 209	QEKJ1EM-475Z	E CAPACITOR	4.7MF 20% 25V			R 101	NRSA02J-220X	MG RESISTOR	22 5% 1/10W	
	C 210	NCB21HK-682X	C.CAPA. C.M	6800PF 10% 50V			R 102	NRSA02J-182X	MG RESISTOR	1.8K 5% 1/10W	
	C 211	NCB21HK-122X	C CAPACITOR	1200PF 10% 50V			R 103	NRSA02J-242NY	MG RESISTOR	2.4K 5% 1/10W	
	C 212	NCB21EK-683X	C CAPACITOR	.068MF 10% 25V			R 104	NRSA02J-122X	MG RESISTOR	1.2K 5% 1/10W	
	C 213	NCB21HK-222X	C CAPACITOR	2200PF 10% 50V			R 105	NRSA02J-104X	MG RESISTOR	100K 5% 1/10W	
	C 221	NCS21HJ-331X	C CAPACITOR	330PF 5% 50V			R 106	NRSA02J-332X	MG RESISTOR	3.3K 5% 1/10W	
	C 301	QEKJ1AM-107Z	E CAPACITOR	100MF 20% 10V			R 107	NRSA02J-123X	RES. C.M	12K 5% 1/10W	
	C 302	NCB21HK-393X	C CAPACITOR	.039MF 10% 50V			R 108	NRSA02J-562X	MG RESISTOR	5.6K 5% 1/10W	
	C 303	QEKJ0JM-227Z	E CAPACITOR	220MF 20% 6.3V			R 109	NRSA02J-122X	MG RESISTOR	1.2K 5% 1/10W	
	C 304	QEKJ1CM-226Z	E CAPACITOR	22MF 20% 16V			R 110	NRSA02J-472X	RES. C.M	4.7K 5% 1/10W	
	C 305	QEKJ1CM-226Z	E CAPACITOR	22MF 20% 16V			R 111	NRSA02J-333X	MG RESISTOR	33K 5% 1/10W	
	C 306	QEKJ1CM-476Z	E CAPACITOR	47MF 20% 16V			R 112	NRSA02J-222X	MG RESISTOR	2.2K 5% 1/10W	
	C 307	NCB21HK-103X	C CAPACITOR	.010MF 10% 50V			R 113	NRSA02J-472X	RES. C.M	4.7K 5% 1/10W	
	C 308	NCB21HK-562X	C CAPACITOR	5600PF 10% 50V			R 114	NRSA02J-272X	MG RESISTOR	2.7K 5% 1/10W	
	C 309	NCB21HK-562X	C CAPACITOR	5600PF 10% 50V			R 116	NRSA02J-102X	RES. C.M	1.0K 5% 1/10W	
	C 310	NCB21HK-223X	C CAPACITOR	.022MF 10% 50V			R 121	NRSA02J-102X	RES. C.M	1.0K 5% 1/10W	
	C 311	NCB21HK-682X	C.CAPA. C.M	6800PF 10% 50V			R 201	NRSA02J-220X	MG RESISTOR	22 5% 1/10W	
	C 313	QEKJ1AM-107Z	E CAPACITOR	100MF 20% 10V			R 202	NRSA02J-182X	MG RESISTOR	1.8K 5% 1/10W	
	C 314	QCZ0205-155Z	ML C CAP I/M	1.5MF			R 203	NRSA02J-242NY	MG RESISTOR	2.4K 5% 1/10W	
	C 315	QCZ0205-155Z	ML C CAP I/M	1.5MF			R 204	NRSA02J-122X	MG RESISTOR	1.2K 5% 1/10W	
	C 316	QFG32AJ-103Z	PP CAPACITOR	.010MF 5% 100V			R 205	NRSA02J-104X	MG RESISTOR	100K 5% 1/10W	
	C 318	NCB21HK-103X	C CAPACITOR	.010MF 10% 50V			R 206	NRSA02J-332X	MG RESISTOR	3.3K 5% 1/10W	
	C 319	QFG32AJ-821Z	TF CAPACITOR	820PF 5% 100V			R 207	NRSA02J-123X	RES. C.M	12K 5% 1/10W	
	C 321	NCB21HK-103X	C CAPACITOR	.010MF 10% 50V			R 208	NRSA02J-562X	MG RESISTOR	5.6K 5% 1/10W	
	C 322	QFG32AJ-152Z	M CAPACITOR	1500PF 5% 100V			R 209	NRSA02J-122X	MG RESISTOR	1.2K 5% 1/10W	
	C 331	QEKJ1CM-476Z	E CAPACITOR	47MF 20% 16V			R 210	NRSA02J-472X	RES. C.M	4.7K 5% 1/10W	
	C 351	QEK41CM-106	E CAPACITOR	10MF 20% 16V			R 211	NRSA02J-333X	MG RESISTOR	33K 5% 1/10W	
	C 371	QEKJ1EM-475Z	E CAPACITOR	4.7MF 20% 25V			R 212	NRSA02J-222X	MG RESISTOR	2.2K 5% 1/10W	
	C 374	QEKJ1AM-107Z	E CAPACITOR	MOTOR +B			R 213	NRSA02J-472X	RES. C.M	4.7K 5% 1/10W	
	C 375	QEKJ1AM-107Z	E CAPACITOR	100MF 20% 10V			R 214	NRSA02J-272X	MG RESISTOR	2.7K 5% 1/10W	
	C 376	NCB21HK-103X	C CAPACITOR	.010MF 10% 50V			R 216	NRSA02J-102X	RES. C.M	1.0K 5% 1/10W	
	CN 31	QGF1205F1-06	CONNECTOR	PRI/HEAD			R 221	NRSA02J-102X	RES. C.M	1.0K 5% 1/10W	
	CN 32	QGB2011M1-10	PWB CONECTOR	PRI/MECHA			R 301	NRS181J-221X	MG RESISTOR	220 5% 1/8W	
	CN 33	QGF1205F1-09	CONNECTOR	PRI/MICON			R 303	NRSA02J-393X	MG RESISTOR	39K 5% 1/10W	
	CN 34	QGF1205F1-10	CONNECTOR	PRI/AMP			R 304	NRS181J-101X	MG RESISTOR	100 5% 1/8W	
	D 301	MA152WA-X	DIODE				R 305	NRSA02J-222X	MG RESISTOR	2.2K 5% 1/10W	
	D 309	MA704A-X	S.K.DIODE				R 306	NRSA02J-222X	MG RESISTOR	2.2K 5% 1/10W	
	D 375	MA3051M-X	ZENER DIODE				R 310	NRS181J-560X	MG RESISTOR	56 5% 1/8W	
	FW 31	QUM024-06A2Z3	EF FLAT				R 311	NRS181J-560X	MG RESISTOR	56 5% 1/8W	
	IC 31	BA3126N	IC	HEAD SW			R 313	NRSA02J-3R3NY	RES. C.M	3.3 5% 1/10W	
	IC 32	AN7317	IC	PB&REC			R 314	NRSA02J-223X	RES. C.M	22K 5% 1/10W	

# RV-B550BU

## ■ Electrical parts list(Head AMP. board)

Block No. 04

△	Item	Parts number	Parts name	Remarks	Area
	R 315	NRSA02J-100X	MG RESISTOR	10 5% 1/10W	
	R 316	NRSA02J-223X	RES. C.M	22K 5% 1/10W	
	R 317	NRSA02J-100X	MG RESISTOR	10 5% 1/10W	
	R 319	NRSA02J-152X	MG RESISTOR	1.5K 5% 1/10W	
	R 322	NRSA02J-152X	MG RESISTOR	1.5K 5% 1/10W	
	R 327	NRSA02J-474X	MG RESISTOR	470K 5% 1/10W	
	R 332	NRSA02J-123X	RES. C.M	12K 5% 1/10W	
	R 333	NRSA02J-123X	RES. C.M	12K 5% 1/10W	
	R 335	NRSA02J-152X	MG RESISTOR	1.5K 5% 1/10W	
	R 336	NRSA02J-472X	RES. C.M	4.7K 5% 1/10W	
	R 337	NRSA02J-332X	MG RESISTOR	3.3K 5% 1/10W	
	R 338	NRSA02J-392X	MG RESISTOR	3.9K 5% 1/10W	
	R 339	NRSA02J-222X	MG RESISTOR	2.2K 5% 1/10W	
	R 340	NRS181J-391X	MG RESISTOR	390 5% 1/8W	
	R 341	NRSA02J-123X	RES. C.M	12K 5% 1/10W	
	R 342	NRSA02J-203X	MG RESISTOR	20K 5% 1/10W	
	R 343	NRSA02J-183X	MG RESISTOR	18K 5% 1/10W	
	R 351	NRSA02J-683X	MG RESISTOR	68K 5% 1/10W	
	R 352	NRSA02J-912X	RES. C.M	9.1K 5% 1/10W	
	R 371	NRSA02J-123X	RES. C.M	12K 5% 1/10W	
	R 372	NRSA02J-102X	RES. C.M	1.0K 5% 1/10W	
	R 375	NRSA02J-151X	MG RESISTOR	150 5% 1/10W	
	R 376	NRSA02J-472X	RES. C.M	4.7K 5% 1/10W	
	VR 31	QVP0008-503Z	SEMI V RESISTOR	BIAS ADJ	
	VR 32	QVP0008-503Z	SEMI V RESISTOR	BIAS ADJ	
	VR 37	QVP0008-103Z	SEMI V RESISTOR	TAPE SPEED ADJ	

**-MEMO-**

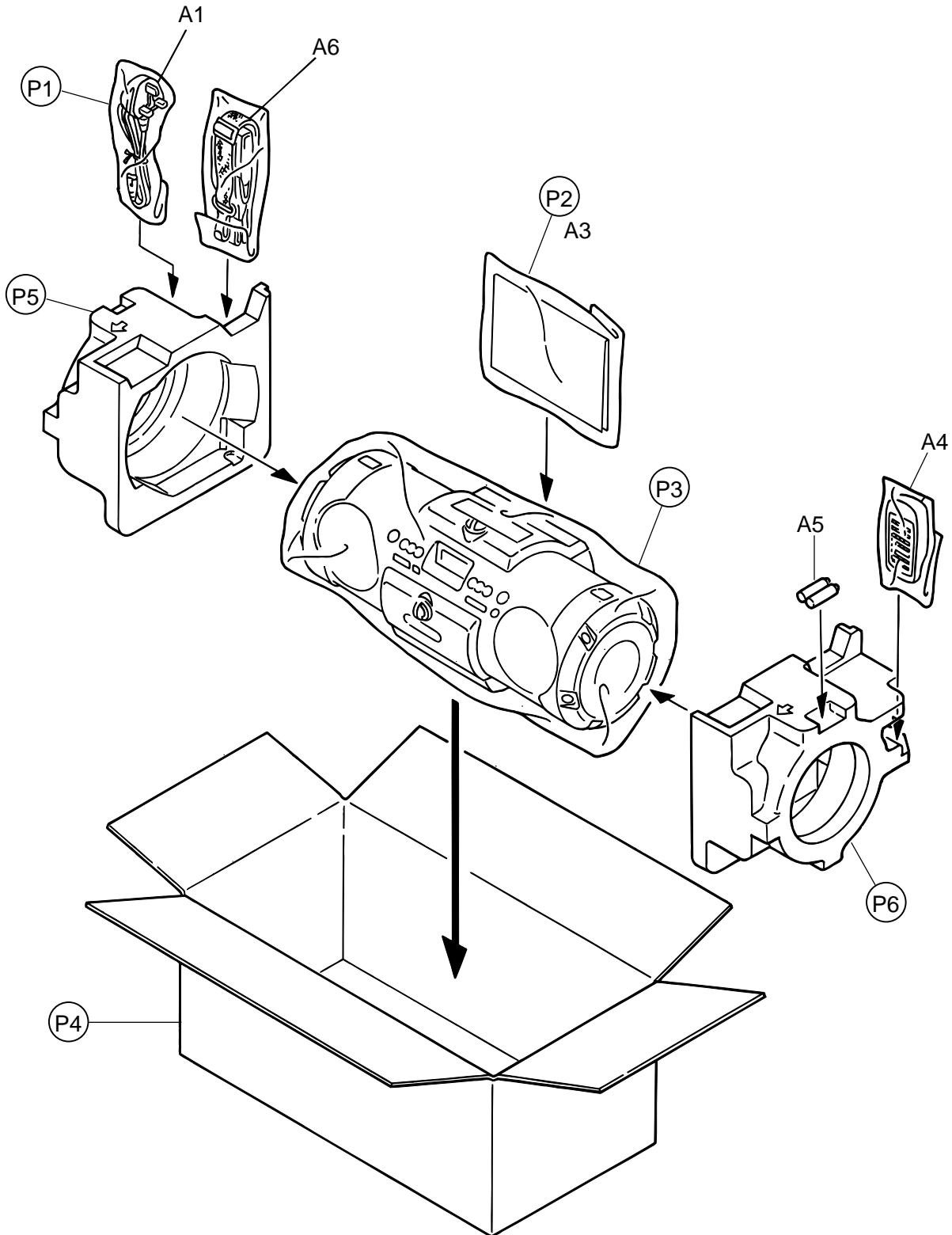
# Packing materials and accessories parts list

Block No. 

M	4	M	M
---	---	---	---

Block No. 

M	5	M	M
---	---	---	---



## ■ Parts list(Packing)

Block No. M4MM

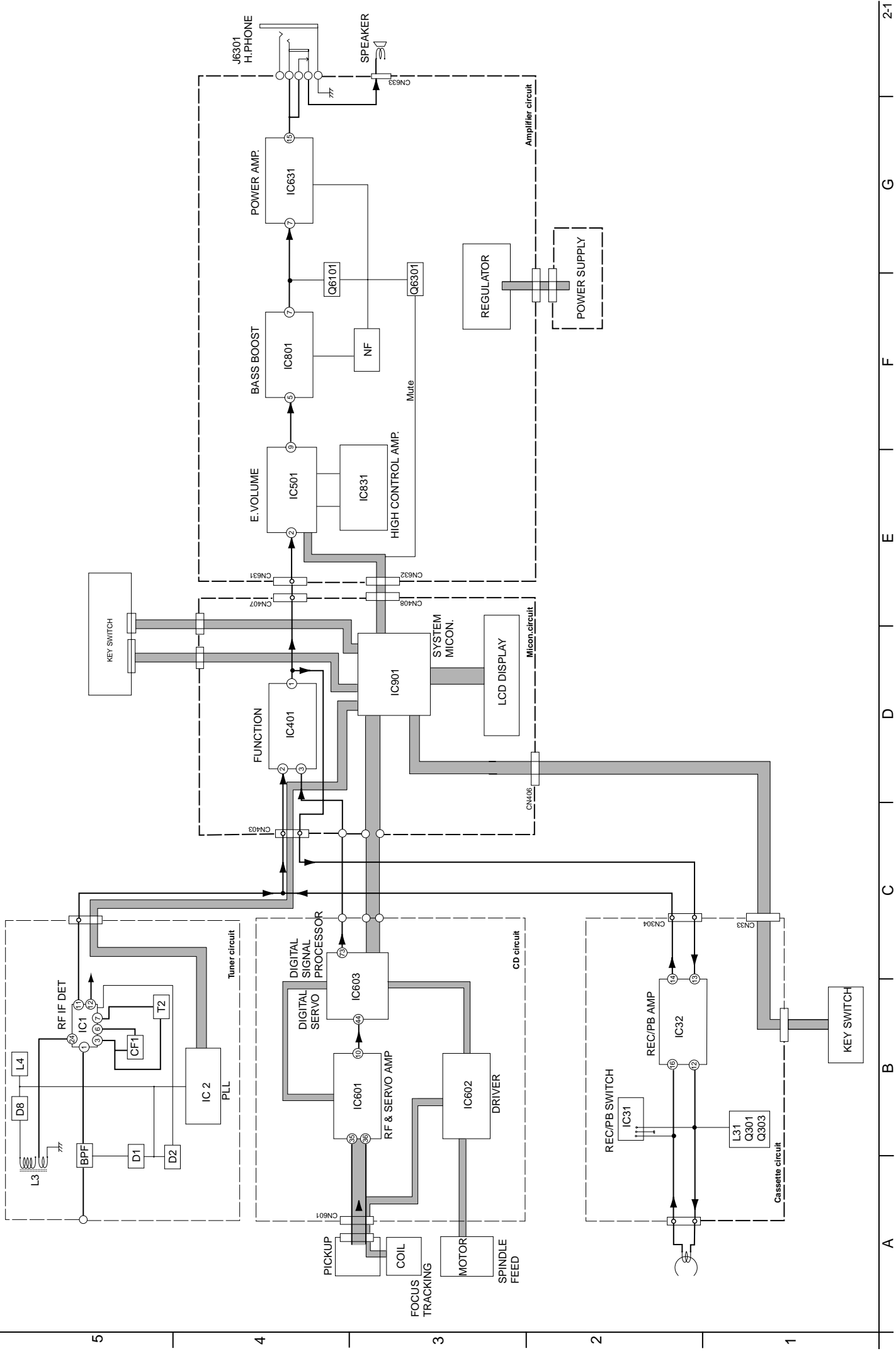
△	Item	Parts number	Parts name	Q'ty	Description	Area
	P 1	QPA01202505	POLY BAG	1	FOR POWER CORD	
	P 2	QPA02503503P	POLY BAG	1	FOR INST	
	P 3	QPC09006015P	POLY BAG	1	FOR SET	
	P 4	LV32002-002A	CARTON	1		
	P 5	LV10169-002A	BOTTOM(L)	1		
	P 6	LV10169-003A	BOTTOM(R)	1		

## ■ Parts list(Accsseories)

Block No. M5MM

△	Item	Parts number	Parts name	Q'ty	Description	Area
△	A 1	QMPS050-183-JC	POWER CORD	1		
	A 3	LVT0492-008B	INST BOOK	1	ENG SPA CHI	
	A 4	RM-RXVB55E	REMO-CON UNIT	1	RM-RXVB55	
	A 5	-----	BATTERY	2	REMO-CON	
	A 6	LV32051-002A	SHULDER BELT	1	BLUE JVC	

# Block diagram

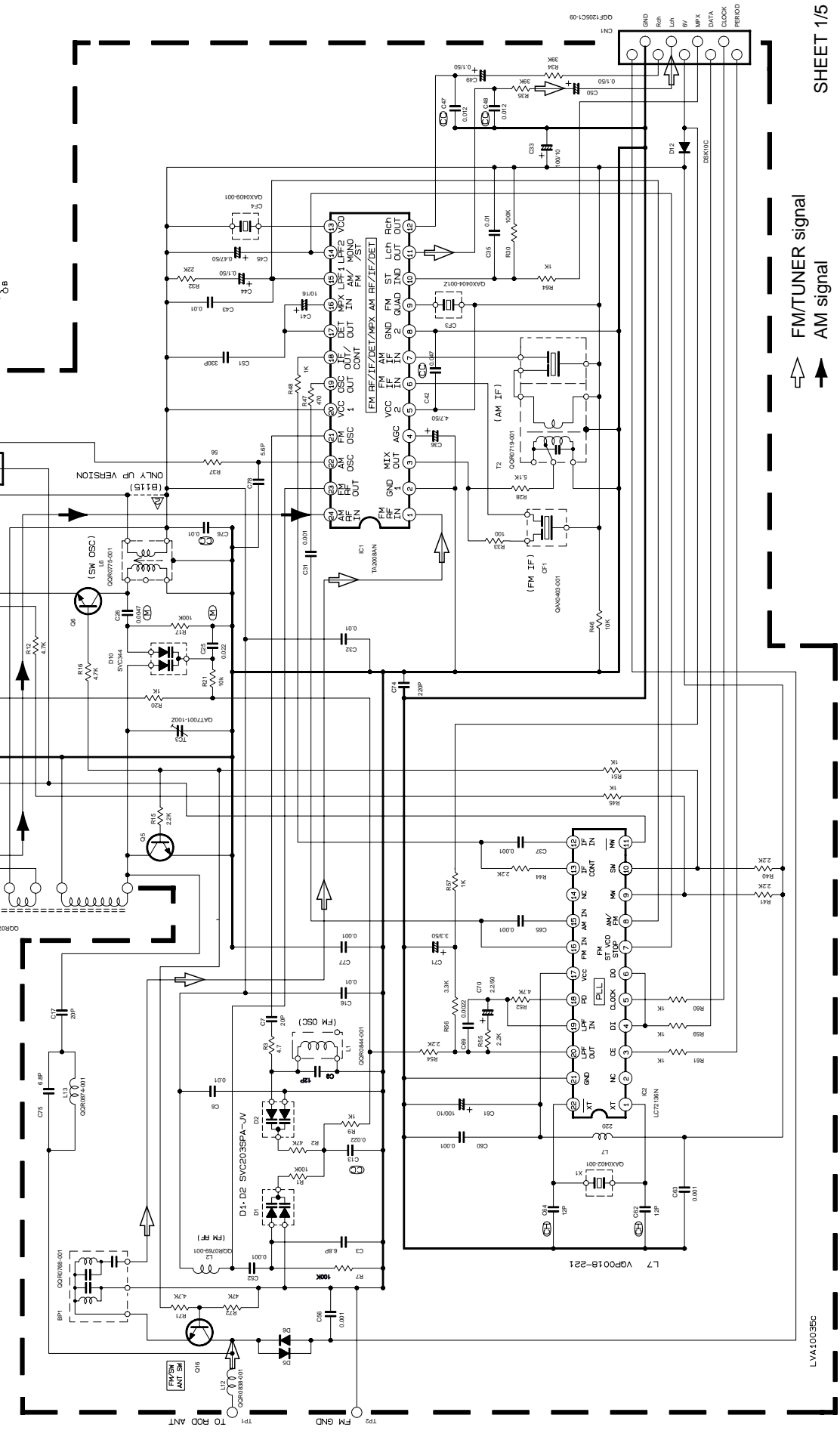




# Standard schematic diagrams

## Tuner section

PRN NO.	1	2	3	4	5	6	7	8	9	10	11	12	13	14	15	16	17	18	19	20	21	22	23	24
FM NO SIGNAL	0	0	0	0	0	0	0	0	0	0	0	0	0	0	0	0	0	0	0	0	0	0	0	0
FM STEREO	0	0	0	0	0	0	0	0	0	0	0	0	0	0	0	0	0	0	0	0	0	0	0	0
AM NO SIGNAL	0	0	0	0	0	0	0	0	0	0	0	0	0	0	0	0	0	0	0	0	0	0	0	0
FM NO SIGNAL	0	0	0	0	0	0	0	0	0	0	0	0	0	0	0	0	0	0	0	0	0	0	0	0
TH. NO.	03	04	05	06	07	08	09	10	11	12	13	14	15	16	17	18	19	20	21	22	23	24	25	
PN NO.	E	C	B	E	C	B	E	C	B	E	C	B	E	C	B	E	C	B	E	C	B	E	C	B
AM 53MHz. NO SIGNAL	0	0	0	0	0	0	0	0	0	0	0	0	0	0	0	0	0	0	0	0	0	0	0	0
SW 5.7MHz. NO SIGNAL	0	0	0	0	0	0	0	0	0	0	0	0	0	0	0	0	0	0	0	0	0	0	0	0



- NOTES**
- VOLTAGES ARE DC-MEASURED WITH A DIGITAL VOLT METER
  - ALL RESISTORS ARE 1/8W 5% CARBON RESISTOR.
  - ALL CAPACITANCE VALUES ARE IN PFD(F).
  - ALL CAPACITORS ARE SHOWN UNLESS OTHERWISE NOTED.
  - ALL DIODES ARE 1N4148 (SI).
  - ALL INDUCTANCE VALUES ARE IN μH (IMPH).
  - SI DIODES ARE ALL ISSUED THAT CAN BE CHANGED TO SIMILAR.
  - PARTS NO. OF TRANSISTORS ARE AS FOLLOWS: 04 2SA117B/A/E/ 05 2SA117B/A/E/ 06 2SA117B/A/E/ 07 2SA117B/A/E/ 08 2SA117B/A/E/ 09 2SA117B/A/E/ 10 2SA117B/A/E/ 11 2SA117B/A/E/ 12 2SA117B/A/E/ 13 2SA117B/A/E/ 14 2SA117B/A/E/ 15 2SA117B/A/E/ 16 2SA117B/A/E/ 17 2SA117B/A/E/ 18 2SA117B/A/E/ 19 2SA117B/A/E/ 20 2SA117B/A/E/ 21 2SA117B/A/E/ 22 2SA117B/A/E/ 23 2SA117B/A/E/ 24 2SA117B/A/E/ 25 2SA117B/A/E/

FM/TUNER signal  
AM signal





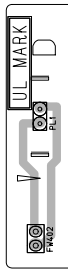




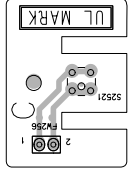


SYSTEM CONTROL BOARD Block No. 0 1

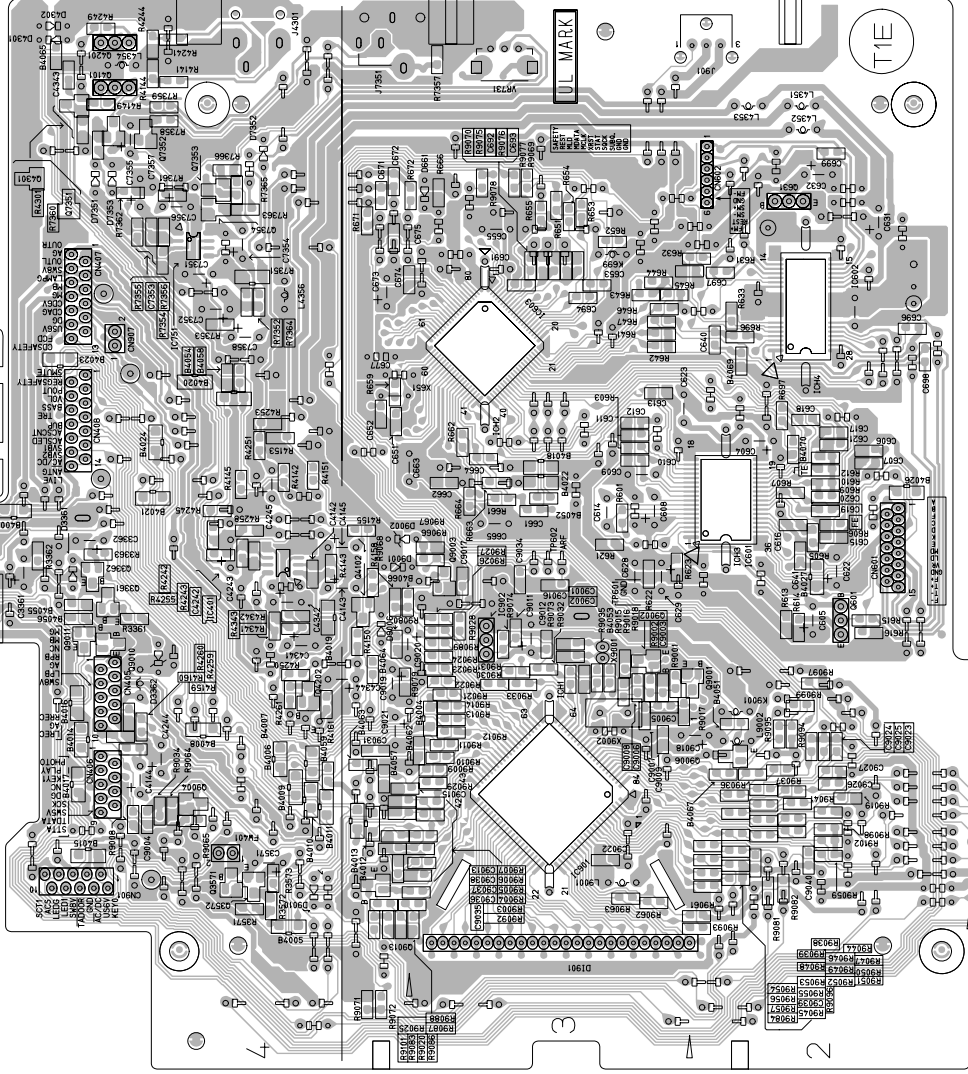
Lamp board



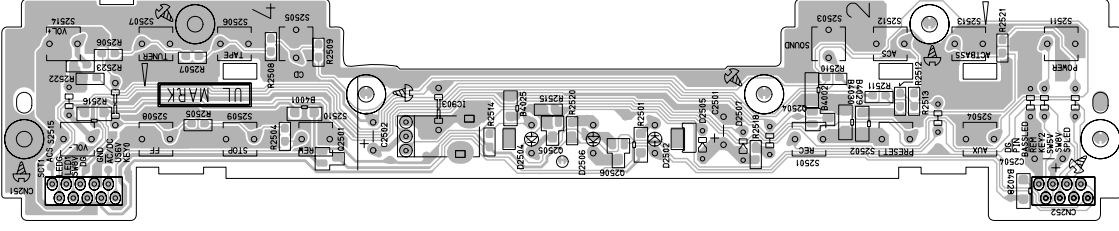
CD Door switch board



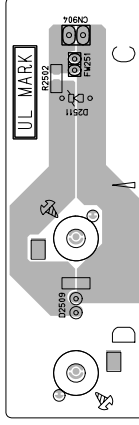
System control board



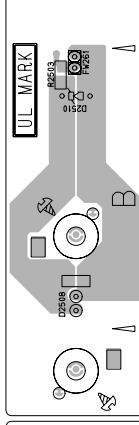
Key switch board



LED board (Left side)



LED board (Right side)



5

4

3

2

1

A

B

C

2-8

D

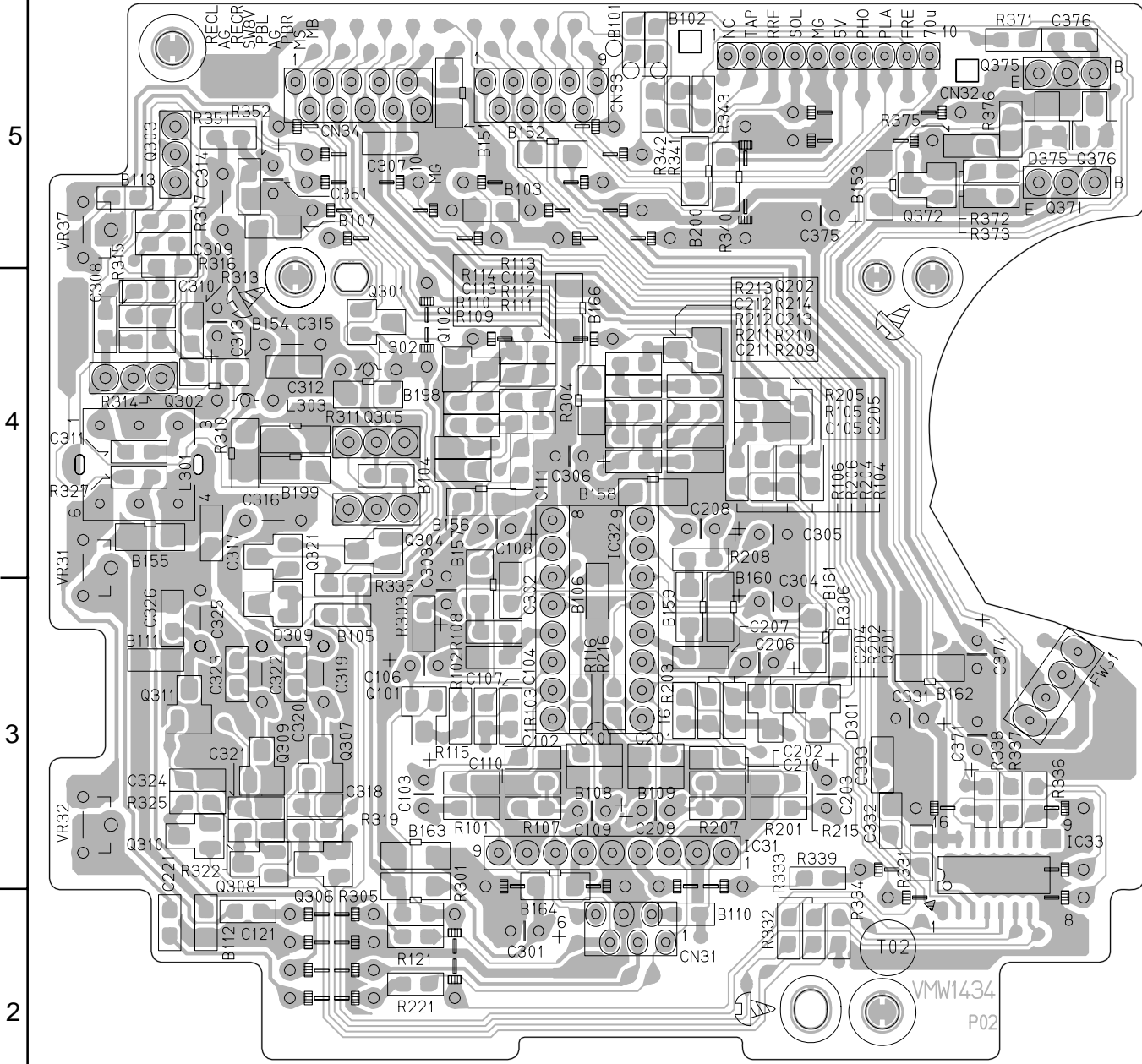
E

F

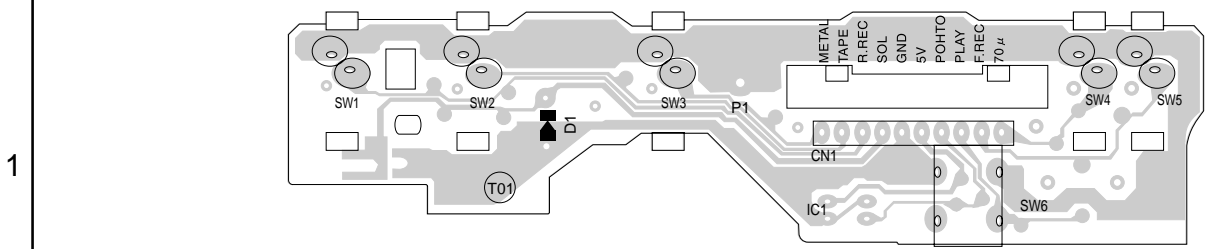
G

H

■ Head amplifier & mechanism board



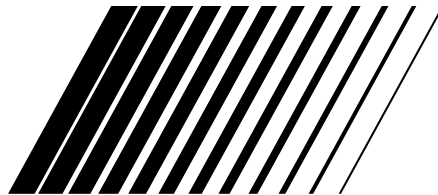
■ Cassette switch board





**-MEMO-**

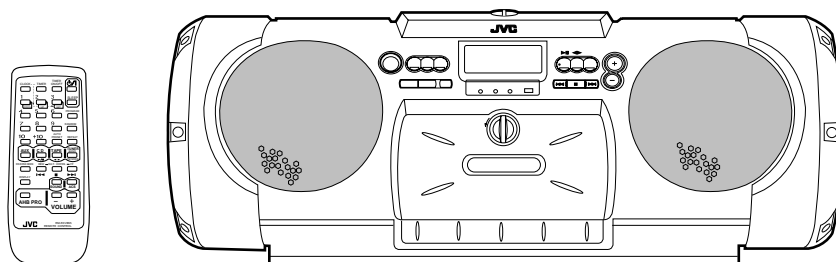
# JVC



CD PORTABLE SYSTEM

---

# RV-B550 BU/RD

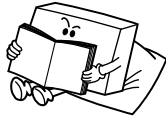


COMPACT  
**disc**  
DIGITAL AUDIO



## INSTRUCTIONS

Thank you for purchasing this JVC product. Please read these instructions carefully before starting operation to be sure to obtain optimum performance and a longer service life from the unit.



CONTENTS

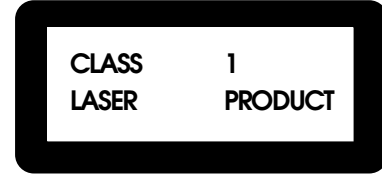
Features ..... 4  
 Safety precautions ..... 4  
 Handling precautions ..... 5  
 Shoulder strap attachment/detachment ..... 5  
 Connections ..... 6  
 Power supply ..... 6  
 Names of parts and their functions ..... 8  
 Remote control unit ..... 10  
 Switching the power on/off ..... 11  
 Volume, sound mode and other controls ..... 12  
 Handling CDs ..... 13  
 Playing CDs ..... 14  
 Handling cassette tapes ..... 16  
 Cassette playback ..... 17  
 Using with another audio unit ..... 17  
 Radio reception ..... 18  
 Recording ..... 20  
 Clock adjustment ..... 22  
 Timer operations ..... 23  
 Maintenance ..... 26  
 Troubleshooting ..... 27  
 Specifications ..... 27

Warnings, Cautions and Others

IMPORTANT FOR LASER PRODUCTS

REPRODUCTION OF LABELS

1 CLASSIFICATION LABEL, PLACED ON EXTERIOR SURFACE



2 WARNING LABEL, PLACED INSIDE THE UNIT

<b>DANGER:</b> Invisible laser radiation when open and interlock failed or defeated. AVOID DIRECT EXPOSURE TO BEAM. (e)	<b>ADVARSEL:</b> Usynlig laserstråling ved åbning, når sikkerhedsafbrydere er ude af funktion. Undgåudsættelse for stråling. (d)	<b>WARNING:</b> Osynlig laserstråling när denna del är öppnad och spärren är urkopplad. Betrakta ej strålen. (s)	<b>VARO:</b> Avattaessa ja suo- jalukitus ohitettaessa olet alttiina näkymättömälle lasersäteilylle. Älä katso säteeseen. (f)
---	--	--	---

1. CLASS 1 LASER PRODUCT

2. **DANGER:** Invisible laser radiation when open and interlock failed or defeated. Avoid direct exposure to beam.

3. **CAUTION:** Do not open the top cover. There are no user serviceable parts inside the unit; leave all servicing to qualified service personnel.

**CAUTION — switch!**

Disconnect the mains plug to shut the power off completely. The switch in any position does not disconnect the mains line. The power can be remote controlled.

**CAUTION**

To reduce the risk of electrical shocks, fire, etc.:

- 1 Do not remove screws, covers or cabinet.
- 2 Do not expose this appliance to rain or moisture.

### **IMPORTANT for the U.K.**

**DO NOT** cut off the mains plug from this equipment. If the plug fitted is not suitable for the power points in your home or the cable is too short to reach a power point, then obtain an appropriate safety approved extension lead or consult your dealer.

**BE SURE** to replace the fuse only with an identical approved type, as originally fitted.

If nonetheless the mains plug is cut off ensure to remove the fuse and dispose of the plug immediately, to avoid a possible shock hazard by inadvertent connection to the mains supply.

If this product is not supplied fitted with a mains plug then follow the instructions given below:

As these colours may not correspond with the coloured markings identifying the terminals in your plug proceed as follows:

The wire which is coloured blue must be connected to the terminal which is marked with the letter N or coloured black.

The wire which is coloured brown must be connected to the terminal which is marked with the letter L or coloured red.

**IF IN DOUBT – CONSULT A COMPETENT ELECTRICIAN.**

### **IMPORTANT:**

**DO NOT** make any connection to the terminal which is marked with the letter E or by the safety earth symbol or coloured green or green-and-yellow.

The wires in the mains lead on this product are coloured in accordance with the following code:

- Blue: Neutral
- Brown: Live

## **SAFETY INSTRUCTIONS**

### **“SOME DO’S AND DON’TS ON THE SAFE USE OF EQUIPMENT”**

**This equipment has been designed and manufactured to meet international safety standards but, like any electrical equipment, care must be taken if you are to obtain the best results and safety is to be assured.**

\*\*\*\*\*

**DO** read the operating instructions before you attempt to use the equipment.

**DO** ensure that all electrical connections (including the mains plug, extension leads and interconnections between pieces of equipment) are properly made and in accordance with the manufacturer’s instructions. Switch off and withdraw the mains plug when making or changing connections.

**DO** consult your dealer if you are ever in doubt about the installation, operation or safety of your equipment.

\*\*\*\*\*

**DO** be careful with glass panels or doors on equipment.

**DON’T** continue to operate the equipment if you are in any doubt about it working normally, or if it is damaged in any way — switch off, withdraw the mains plug and consult your dealer.

**DON’T** remove any fixed cover as this may expose dangerous voltages.

**DON’T** leave equipment switched on when it is unattended unless it is specifically stated that it is designed for unattended operation or has a standby mode. Switch off using the switch on the equipment and make sure that your family knows how to do this. Special arrangements may need to be made for infirm or handicapped people.

**DON’T** use equipment such as personal stereos or radios so that you are distracted from the requirements of road safety. It is illegal to watch television whilst driving.

**DON’T** listen to headphones at high volume, as such use can permanently damage your hearing.

**DON’T** obstruct the ventilation of the equipment, for example with curtains or soft furnishings. Overheating will cause damage and shorten the life of the equipment.

**DON’T** use makeshift stands and NEVER fix legs with wood screws — to ensure complete safety always fit the manufacturer’s approved stand or legs with the fixings provided according to the instructions.

**DON’T** allow electrical equipment to be exposed to rain or moisture.

### **ABOVE ALL**

— NEVER let anyone especially children push anything into holes, slots or any other opening in the case

— this could result in a fatal electrical shock;

— NEVER guess or take chances with electrical equipment of any kind

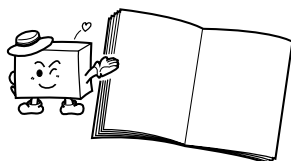
— it is better to be safe than sorry!

## FEATURES

- Active Hyper-Bass (AHB) Pro circuit for low-frequency sound reproduction
- Active Clear Sound (ACS) circuit for enhanced sound reproduction
- Speaker illumination
- Sound mode control
- One-touch operation (COMPU PLAY)
- 34-key remote control unit operates all CD, cassette deck and tuner functions
- Skip Play/Search Play/Repeat Play/Random Play
- Programmed play of up to 20 tracks
- Full-logic cassette mechanism
- Auto reverse
- Auto tape select mechanism
- Metal (type IV) and CrO<sub>2</sub> (type II) tape can be played back for superior tone quality

- CrO<sub>2</sub> (type II) tape recording capability
- 2-band digital synthesizer tuner with 45-station (30 FM and 15 AM (MW/LW)) preset capability
- Seek/manual tuning
- Auto preset tuning
- Timer/Clock function
- Timer on/off with preset volume function
- Sleep timer can be set for up to 120 minutes
- Shoulder strap
- DC IN 12 V jack for car battery

## SAFETY PRECAUTIONS



### Prevention of Electric Shocks, Fire Hazards and Damage

1. Even when the **⏻/I** button is set to STANDBY, a very small current will flow. To save power and for safety when not using the unit for an extended period of time, disconnect the power cord from the household AC outlet.
2. Do not handle the power cord with wet hands.
3. When unplugging from the wall outlet, always grasp and pull the plug, not the power cord.
4. Consult your nearest dealer when damage, disconnection, or contact failure affects the cord.
5. Do not bend the cord severely, or pull or twist it.
6. Do not modify the power cord in any manner.
7. To avoid accidents, do not remove screws to disassemble the unit and do not touch anything inside the unit.
8. Unplug the power cord when there is a possibility of lightning.
9. If water gets inside the unit, unplug the power cord from the outlet and consult your dealer.
10. Do not block the unit's ventilation holes that allow heat to escape. Do not install the unit in a badly ventilated place.

### ⏻/I button

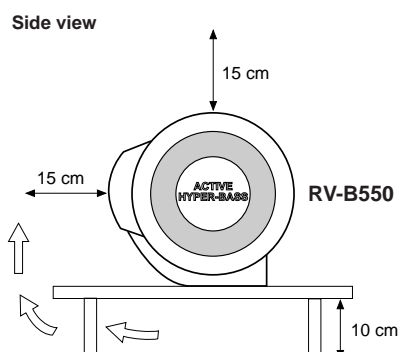
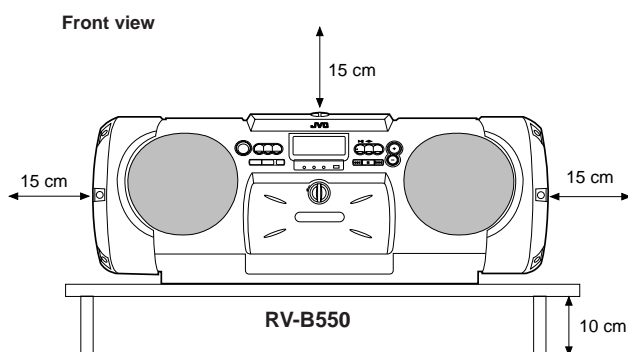
When the power cord is connected to a household AC wall outlet, the power indicator lights in red indicating the STANDBY mode (only when AC power is used). When the **⏻/I** button is pressed, the power indicator goes out and the display window lights (when using DC power, it lights for only 5 seconds).

When this unit is plugged into an AC wall outlet, it consumes a small current to operate the remote control and timer, or to back up the memory of the microprocessor, even when the **⏻/I** button is set to STANDBY.

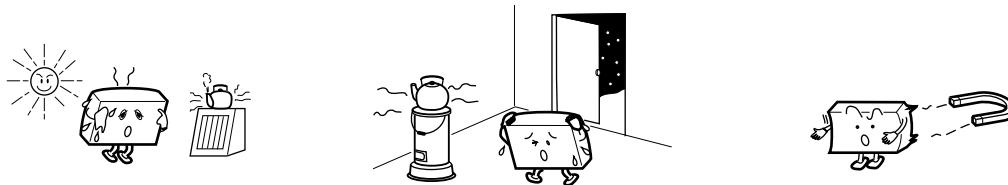
### Caution: Proper Ventilation

To avoid risk of electric shock and fire, and to prevent damage, locate the apparatus as follows:

1. Front:  
No obstructions and open spacing.
2. Sides/Top/Back:  
No obstructions should be placed in the areas shown by the dimensions below.
3. Bottom:  
Place on a level surface. Maintain an adequate air path for ventilation by placing on a table with a height of 10 cm or more.



## HANDLING PRECAUTIONS



Do not use this unit in direct sunlight where it would be exposed to high temperatures above 40°C (104°F).

### ● When abnormal operation occurs

\* Unplug the AC power cord from the AC wall outlet and remove all the batteries. Then reload the batteries after a few minutes, reconnect the AC power cord and switch the power ON.

### 1. Avoid installing in the following places

- Where it could be subject to vibrations.
- Where it is excessively humid, such as in a bathroom.
- Where it could be magnetized by a magnet or speaker.

### 2. Pay attention to dust

Be sure to close the CD door so that dust does not collect on the lens.

### 3. Condensation

In the following cases, condensation may occur in the unit, in which case the unit may not operate correctly.

- In a room where a heater has just been switched on.
- In a place where there is smoke or high humidity.
- When the unit is moved directly from a cold to a warm room.

In these cases, set the **⏻/I** button to STANDBY and wait 1 or 2 hours before use.

### 4. Volume setting

CDs produce very little noise compared with analog sources. If the volume level is adjusted for these sources, the speakers may be damaged by the sudden increase of output level. Therefore, lower the volume before operation and adjust it as required during play.

### 5. Safety mechanism

This unit incorporates a safety interlock mechanism which switches the laser beam on and off, so that when the CD door is open, the laser beam stops automatically.

### 6. Do not place cassette tapes, etc. near the speakers

Since there are magnets in the speakers, do not place tapes or magnetic cards on them as recorded data could be erased.

### 7. Keep this unit away from your TV

When this unit is used near a TV, the TV picture could be distorted. If this happens, move this unit away from the TV. If this does not correct the situation, avoid using this unit when the TV is turned on.

### 8. Cleaning the cabinet

If the cabinet gets dirty, wipe it with a soft, dry cloth. Never use benzine or thinner as these could damage the surface finish.

### 9. When listening with headphones

- Do not listen at high volumes as this could damage your hearing.
- For safety, do not drive while listening to this unit.

### 10. Pay attention to the following

- Do not place the unit on an inclination.
- Do not apply shock to the unit.
- For safety, retract the antenna so that it doesn't get hooked or broken during transport.

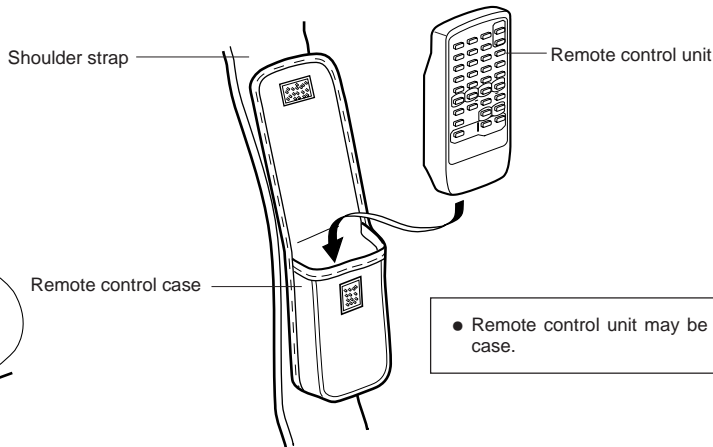
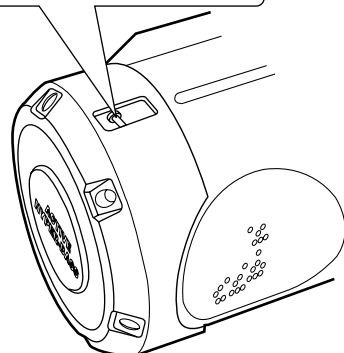
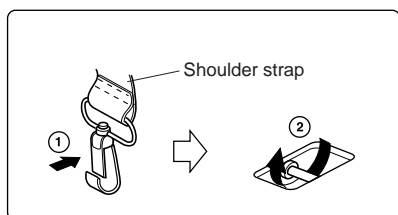
## SHOULDER STRAP ATTACHMENT/DETACHMENT

### ● ATTACHMENT

As shown in the illustration below, press in the metal fitting at ① and hook over ②.

### ● DETACHMENT

Press in the metal fitting at ① and unhook.



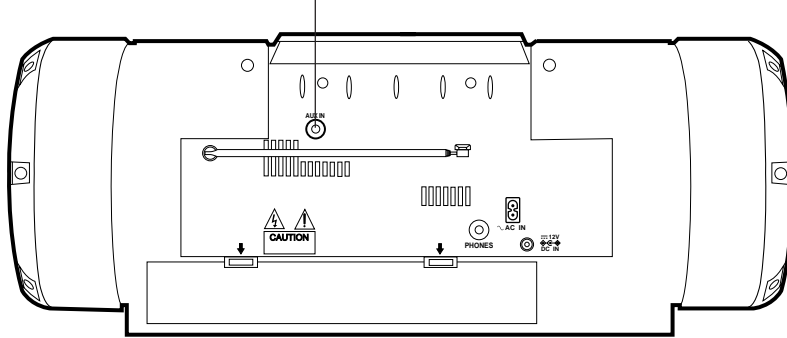
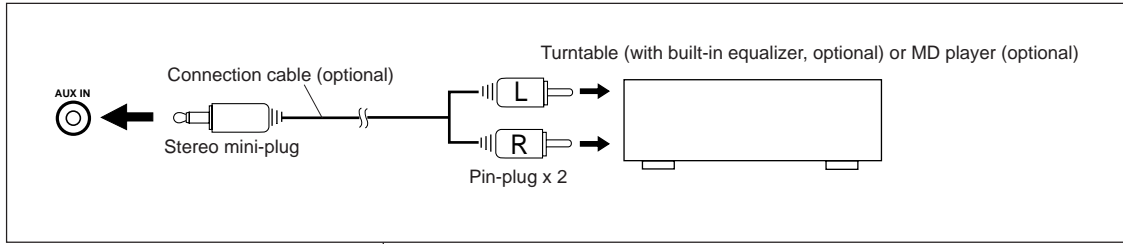
- Remote control unit may be stored in the case.

## CONNECTIONS

- Do not switch the power on until all connections are completed.

### Connection of external audio units

- Connection with a turntable or MD player, etc.



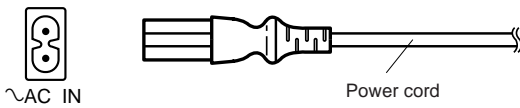
### Note:

- Do not install the unit near a TV, otherwise the TV picture color will become distorted. If this occurs, move the TV away from the unit, then turn off the TV and turn it on again after 15 to 30 minutes. The TV's automatic degaussing circuit will correct the picture.

## POWER SUPPLY

### A. Operation on household AC

- Connect the AC power cord after all other connections have been made.



### CAUTIONS:

- ONLY USE WITH JVC POWER CORD PROVIDED WITH THIS UNIT TO AVOID MALFUNCTION OR DAMAGE TO THE UNIT.
- BE SURE TO UNPLUG THE POWER CORD FROM THE OUTLET WHEN GOING OUT OR WHEN THE UNIT IS NOT IN USE FOR AN EXTENDED PERIOD OF TIME.

### B. Batteries for memory back-up system

It is recommended that batteries are loaded to prevent the preset station memory and timer, etc. from being erased when there is a power failure, or when the AC power cord is disconnected.

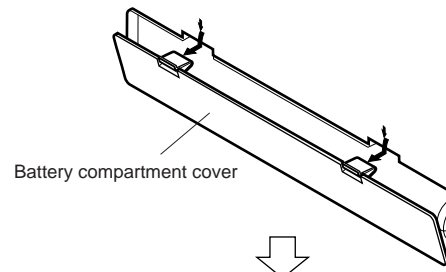
#### Loading batteries

Load three "R6/AA (15F)" size batteries (optional) into the battery compartment.

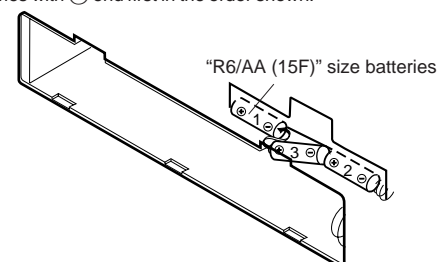
### Notes:

- The three "R6/AA (15F)" size batteries supply the power to the memory back-up system which prevents the contents of the memory being lost when there is a power failure, or the power cord is disconnected. Battery power is not consumed when the power cord is connected to the household AC wall outlet. (When the memory backup function is activated, the time is not displayed to reduce power consumption.)
- When the power cord is not connected or the "R20/D (13F)" size batteries are not loaded, the batteries should be replaced with new ones approximately every 12 months. (Connect the AC power cord when replacing batteries in order to back-up the memory.)

- Open the battery cover by pulling it toward you while pressing the sections marked with arrows.



- Insert batteries with ⊖ end first in the order shown.

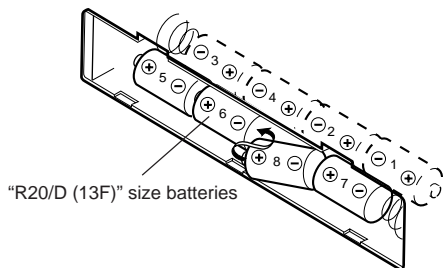


- When removing the batteries, remove battery number 3 first.

## C. Operation on batteries

### ● Loading batteries

1. Open the battery cover by pulling it toward you while pressing the sections marked by the arrows.
2. Insert 8 "R20/D (13F)" size batteries (optional) as shown in the diagram.  
\* Be careful to insert the batteries with the ⊕ and ⊖ terminals positioned correctly.
3. Replace the cover.



### Battery replacement

When the batteries are nearly exhausted, the following symptoms may appear. In this case, replace the batteries with the fresh ones. (Do not use fresh ones and old ones together.)

#### For the main unit

Mistracking occurs during CD playback or sound is distorted intermittently during TAPE playback.

#### For the memory back-up

When the AC power cord is unplugged, the stored memory (timer/clock setting/preset tuning) is erased.

It is recommended that the AC power cord be used when recording important material or listening to a CD.

#### ● For better battery usage

Continuous operation of the unit causes the battery power to be consumed quicker than noncontinuous operation.

Operation of the unit in a cold place causes the battery power to be consumed more quickly than in a warm place.

#### ● For power supply

The use of household AC is recommended when continuous operation of the unit is required over a longer period of time.

### CAUTIONS:

- **WHEN NOT USING THE UNIT FOR A LONG TIME (MORE THAN TWO WEEKS) OR WHEN ALWAYS USING HOUSEHOLD AC, REMOVE THE BATTERIES TO AVOID A MALFUNCTION OR DAMAGE TO THE UNIT.**
- **WHEN THE JVC POWER CORD PROVIDED WITH THIS UNIT IS CONNECTED, THE POWER IS AUTOMATICALLY SWITCHED FROM THE BATTERIES TO THE HOUSEHOLD AC EVEN WHEN THE BATTERIES ARE LOADED. HOWEVER, REMOVE THE BATTERIES WHEN USING THE POWER CORD.**

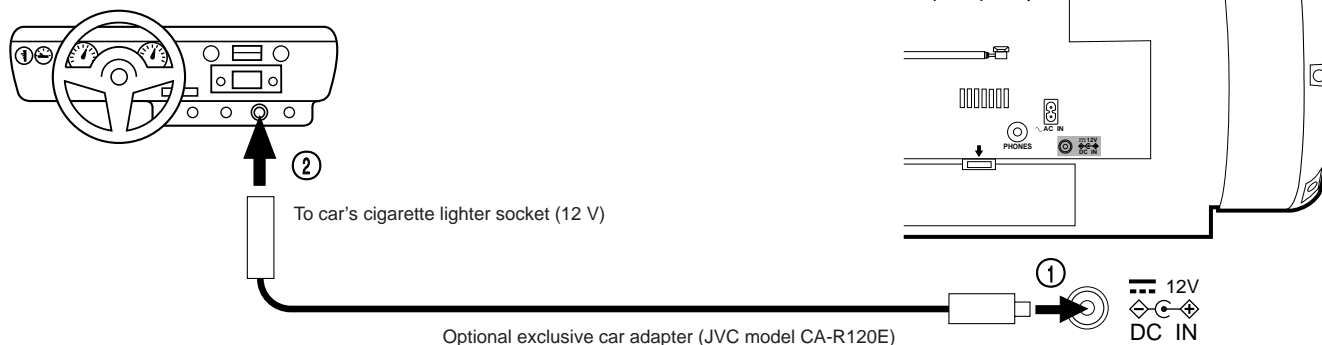
### CAUTIONS WHEN USING BATTERIES

When batteries are used incorrectly, it may result in the leakage of chemicals from the batteries or they may explode. The following care should be taken:

- Check that the positive ⊕ and negative ⊖ terminals of the batteries are positioned correctly and load them as shown in the diagram.
- Do not mix new and old batteries together, or mix different types of batteries.
- Do not try to recharge non-rechargeable batteries.
- Remove the batteries when the unit is not to be used for an extended period of time.

If chemicals from the batteries come in contact with your skin, wash them off immediately with water. If chemicals leak onto the unit, clean the unit completely.

## D. Operation on car battery (DC 12 V)



- First connect the car adapter to the DC IN 12 V jack, not the cigarette lighter socket, because shorting of a plug on the car may cause the fuse to blow out. In addition, be careful not to make a short-circuit between the plugs.

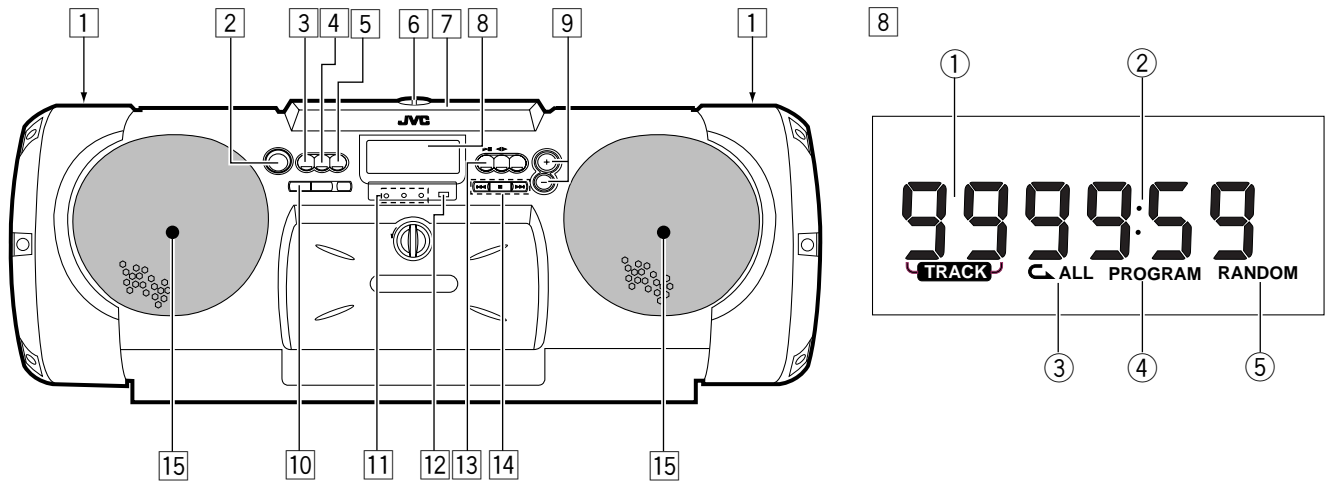
### CAUTIONS WHEN USING THIS UNIT IN A CAR

- When using a car battery, be sure to use the specified car adapter (JVC model CA-R120E) to prevent mishaps or damage resulting from different polarity design.
- For safety, stop the car before performing operations.
- Be sure to start the engine when you use the car adapter, otherwise the car battery will be exhausted.
- During transport, stabilize the unit in a box, etc.
- This unit is not waterproof or dustproof. To prevent malfunctions, do not leave the unit in a car for long periods.
- Unplug the power cord from the AC IN jack when using the unit with a car adapter.



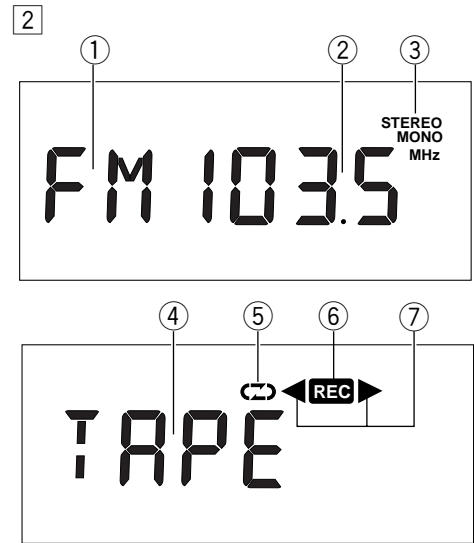
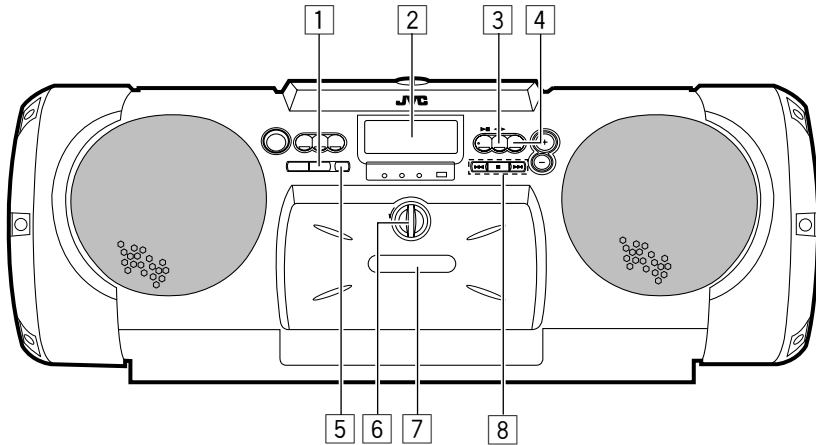
## NAMES OF PARTS AND THEIR FUNCTIONS

### CD player/General section



- |  |   |
|--|---|
| <p>1 Shoulder strap hook</p> <p>2  button</p> <p>3 AHB (Active Hyper Bass) PRO button</p> <p>4 SPEAKER ILLUMINATION/ACS (Active Clear Sound) button</p> <p>5 SOUND button</p> <p>6 OPEN knob<br/>Turn the OPEN knob to the left to open the CD door.<br/>To close the CD door, press it down until it clicks shut.</p> <p>7 CD door</p> <p>8 Display window</p> <p>① Function/Track number display</p> <p>② Play time display</p> <p>③ Repeat play indicator ( ALL)</p> <p>④ Program mode indicator (PROGRAM)</p> <p>⑤ Random play indicator (RANDOM)</p> <p>● See page 22 for clock adjustment display.</p> | <p>9 Volume control buttons (+/-)</p> <p>10 AUX button</p> <p>11 STANDBY indicator<br/>AHB PRO indicator<br/>ACS indicator</p> <p>12 Remote sensor section<br/>Remote control signals are received here.</p> <p>13 CD  button<br/>Press to select the CD mode.<br/>Press to play/pause.<br/>Press to turn the power on.</p> <p>14 MULTI CONTROL buttons<br/>(When the mode is set to CD)</p> <p>: Press to locate the beginning of a track during skip play.<br/>Press to fast-forward/rewind during search play.</p> <p>: Press to stop.<br/>Press to cancel program play.</p> <p>15 Speaker illumination<br/>A light in each speaker flashes when SPEAKER ILLUMINATION is on.</p> |
|--|---|

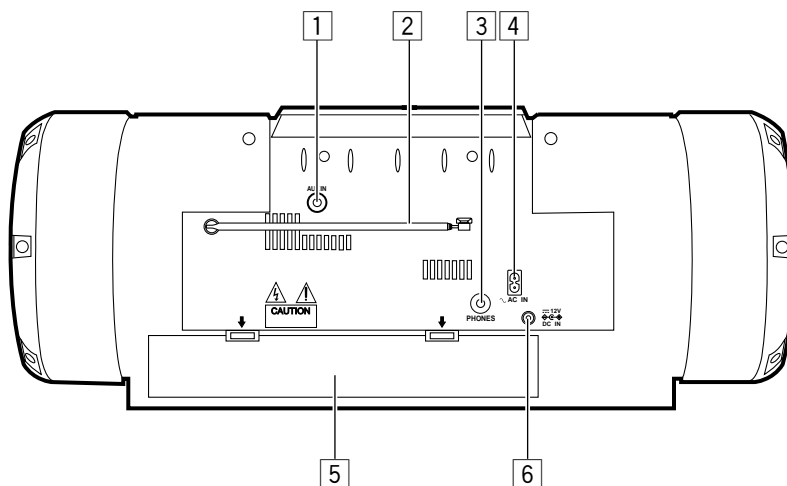
## Tuner/Deck section



- 1 PRESET TUNING/BEAT CUT button
- 2 Display window
  - ① Band display
  - ② Radio frequency display
  - ③ Mode display during FM broadcast (STEREO/MONO)
  - ④ Tape (TAPE) display
  - ⑤ Reverse mode indicator (Z/Z/↺)
  - ⑥ Recording indicator (REC)
  - ⑦ Tape direction indicators (◀▶)
- 3 TAPE ◀▶ button
  - Press to select the tape mode.
  - Press to select the tape direction.
  - Press to turn the power on.
- 4 TUNER BAND button
  - Press to select the tuner mode.
  - Press to select the band.
  - Press to turn the power on.

- 5 ONE TOUCH REC button
- 6 OPEN knob
  - Turn the OPEN knob to the left to open the cassette holder.
  - To close the cassette holder, press it until it clicks shut.
- 7 Cassette holder
- 8 MULTI CONTROL buttons
  - (When the mode is set to TAPE)
    - ◀◀ REW : Press to rewind the tape.
    - STOP : Press to stop the tape.
    - ▶▶ FF : Press to fast-forward the tape.
  - (When the mode is set to TUNER)
    - ◀◀/▶▶ : Auto tuning/Manual tuning

## Rear panel



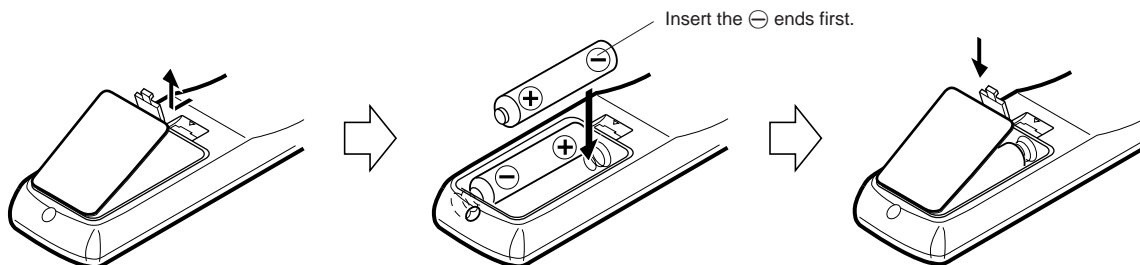
- 1 AUX IN (AUX input) jack
- 2 Telescopic antenna
- 3 Headphone jack (PHONES)
- 4 AC IN (AC input) jack
- 5 Battery compartment cover
- 6 DC IN 12 V jack (⊕ ⊖)

## REMOTE CONTROL UNIT

### Preparation before use

#### ● Installing batteries in the remote control unit

1. Remove the battery cover from the back of the remote control unit.
2. Insert two "R6/AA (15F)" size batteries.
  - Insert the batteries with the ⊕ and ⊖ terminals matching the indication inside the battery compartment.
3. Replace the cover.



#### ● Battery replacement

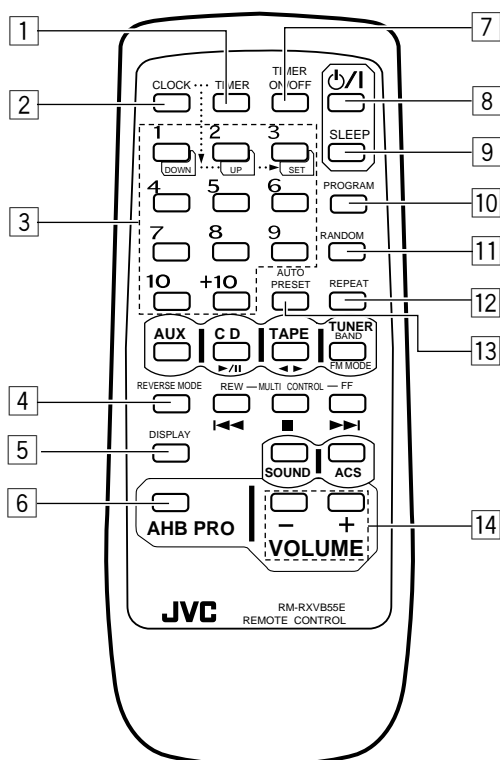
When the remote control operation becomes unstable or the distance from which remote control is possible decreases, replace the batteries.

### Using the remote control unit

- Point at the remote sensor and operate within about 7 m (approx. 23 ft).
- The remote control range is less when the unit is used at an angle.
- Do not expose the remote sensor to strong direct sunlight or artificial lighting.
- Make sure that there are no obstacles between the remote sensor and the unit.
- If the radio reception is noisy, move the remote control unit away from the main unit.

The following operations can be performed using the remote control unit.

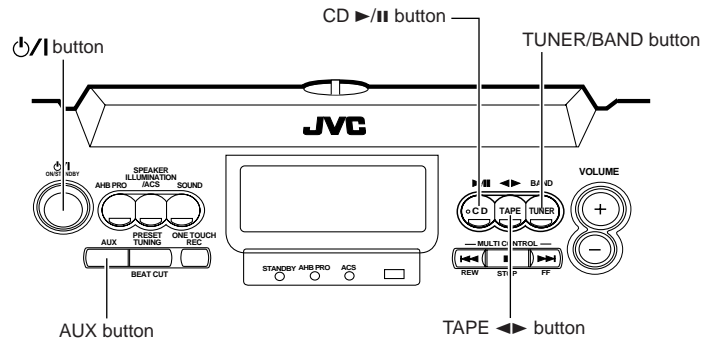
- Check the operation button functions carefully and operate them correctly.



- 1 TIMER button  
Press to change the mode to TIMER.
- 2 CLOCK button  
Press to adjust the clock.
- 3 Number buttons (1-10, +10)  
(When the mode is set to CD)  
Press to play specific tracks or to program tracks.  
(When the mode is set to TUNER)  
Press to select preset stations.  
● Buttons 1-3 are also used for clock adjustment and timer operation (see page 22).
- 4 REVERSE MODE button
- 5 DISPLAY button
- 6 AHB PRO button
- 7 TIMER ON/OFF button  
Press to cancel or reset the TIMER.
- 8 button  
When the main unit power is supplied from batteries, pressing this button will not turn on the main unit power. (In this case, press the button on the main unit.)
- 9 SLEEP button
- 10 PROGRAM button  
Press to select the program play mode.
- 11 RANDOM button
- 12 REPEAT button
- 13 AUTO PRESET button
- 14 VOLUME buttons (+/-)

- Buttons not mentioned here have the same functions as those on the main unit.

## SWITCHING THE POWER ON/OFF



### Switching the power on/off

#### ● Switching on:



The STANDBY indicator goes out.

- The display window lights. (when using DC power, it lights for only 5 seconds)

#### ● Switching off:



The STANDBY indicator lights.

- The display window light goes off and only the clock time is displayed.

### One touch operation (COMPU PLAY) (only when AC power is used)

Even when the power is set to STANDBY, pressing the button shown below switches on the power and selects the source.

	Function mode	Operations
	CD	When this button is pressed with a CD loaded, CD playback begins.
	TAPE	When this button is pressed with a tape loaded, tape playback begins.
	TUNER	When this button is pressed, the tuner is engaged.
	AUX	A sound source connected to the AUX IN terminal can be engaged.

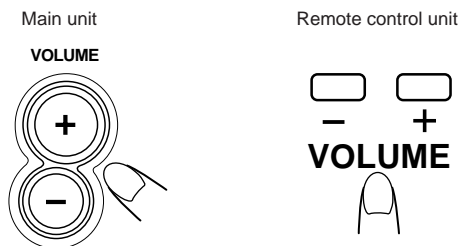
#### Notes:

- COMPU PLAY doesn't function when the unit is used with batteries or a car adapter. Press the ON/STANDBY button to turn on. To avoid battery exhaustion, the display window normally doesn't light. However, when the ON/STANDBY button is pressed to turn on or an operation button is pressed, the display window lights for 5 seconds.
- When switching off the power, be sure to press the ON/STANDBY button.
- The COMPU PLAY function on the remote control has the same function as that on the main unit.

## VOLUME, SOUND MODE AND OTHER CONTROLS

### VOLUME buttons

+ : Use to increase the volume.  
 - : Use to decrease the volume.  
 (Control range from VOL 0 to VOL 50.)



### AHB (Active Hyper Bass\*) PRO button

**BASS 1:** The AHB PRO indicator lights up, and a mild bass boost is added to the sound.  
**BASS 2:** The AHB PRO indicator lights up, and a stronger bass boost is added to the sound.  
**OFF :** The AHB PRO indicator goes out. Set to this position when Active Hyper Bass Pro sound is not required.

#### \* Active Hyper Bass (AHB) Pro

The Active Hyper Bass Pro circuit reinforces the bass sound to maintain rich, full bass at low volumes (playback only).



AHB PRO indicator lights in red when AHB PRO is set to BASS 1/BASS 2.

### SPEAKER ILLUMINATION/ACS (Active Clear Sound\*) button

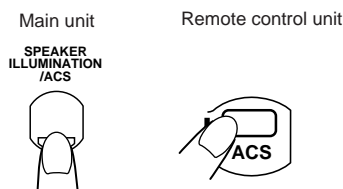
Press this button to turn enhanced sound reproduction ON/OFF. When on, a light in each speaker flashes.

#### \* Active Clear Sound (ACS)

The Active Clear Sound (ACS) circuit emphasizes high-frequency sound without lowering the signal-noise ratio, while adjusting its output according to the input signal level. This results in a better balance between the high-frequency sound and the low-frequency heavy bass sound.

#### Note:

This function has no effect with monaural sound sources.

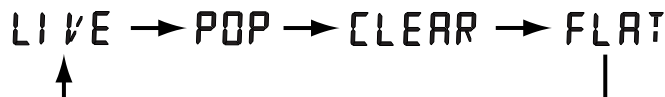
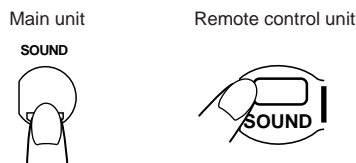


Lights in green when the ACS is ON.

### Sound mode button

Sound modes can be selected to enhance the type of music being played.

- Press the SOUND button to select the sound mode.
- Each time the SOUND button is pressed the sound mode changes as follows:



- The factory-preset is "FLAT". Each time the SOUND button is pressed, the display changes as shown.

### Sound mode selection

#### LIVE:

Set to this position for heavy metal or rock music.

#### POP:

Set to this position for light music including popular and vocal music.

#### CLEAR:

Set to this position for crisp and clear sounding music with transparent highs.

#### FLAT (No sound effect (flat characteristics)):

Set to this position when listening to classical music.

#### Note:

The selected modes only affect the sound output from the speakers or headphones. They do not affect the sound when recording.

## HANDLING CDs

Since dirty, damaged and warped CDs may damage the unit, take care regarding the following:

### 1. Usable CDs

Use CDs with the Compact Disc mark shown below.

### 2. Notes on handling CDs

- Do not touch the reflective recorded surface.
- Do not stick or write anything on the label side.
- Do not bend CDs.

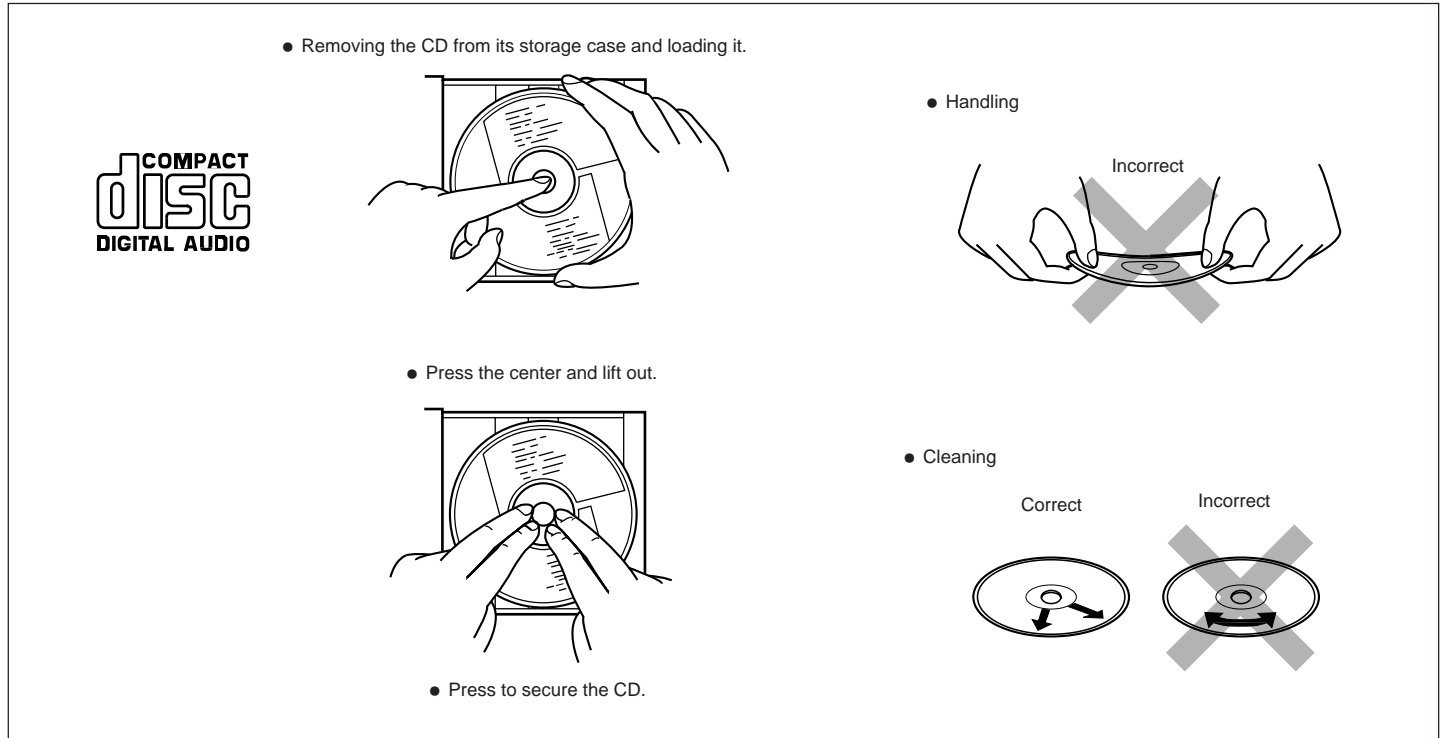
### 3. Storage

- After removing a CD from the unit, be sure to put it back in its case.
- Do not expose CDs to direct sunlight, high temperatures (such as from a heater), high humidity, or dust.

### 4. Cleaning CDs

- Before loading a CD, wipe off any dust, dirt or fingerprints with a soft cloth. CDs should be cleaned by wiping radially from the center to the edge.

- Never use thinner, benzene, record cleaner or antistatic spray.



#### Note:

CDs shaped like a heart, flower, etc. (specially-shaped CDs) cannot be used with this unit. If this type of CD is loaded, it may cause a malfunction to occur.

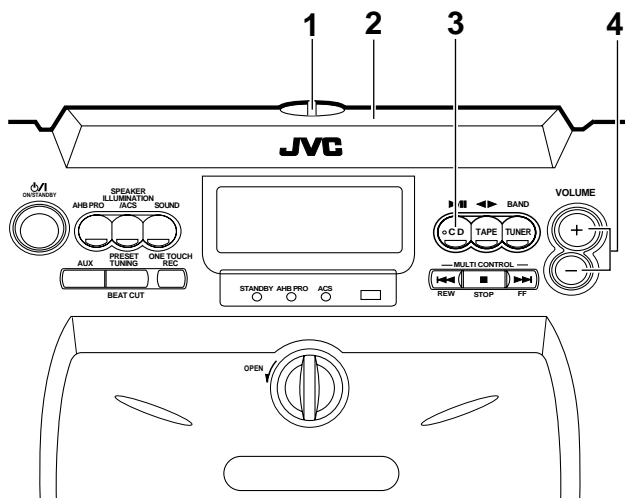


### Playing an entire CD

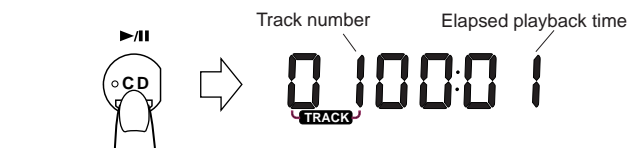
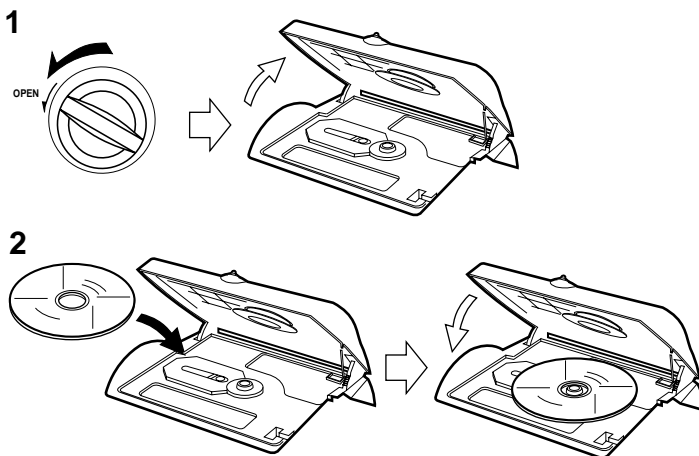
The following example of playing an entire CD assumes a CD with 12 tracks and a total playing time of 48 minutes 57 seconds.

#### Operate in the order shown

- When AC power is used  
(When battery power is used, switch on the button first, then perform operation):



- Turn the OPEN knob to the left to open the CD door.
- Load a CD with the label side facing up and close the CD door. Press the CD door down.
- Press to start play.



- Adjust the volume.

• 8-cm (3") CDs can be used in this unit without an adapter.

#### To stop in the middle of a CD

During play, press the STOP button to stop play.



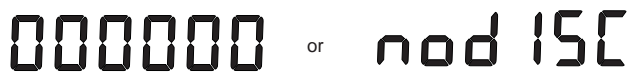
- The total number of tracks and total playback time are displayed.

#### To stop a CD temporarily

Press the CD button to stop play temporarily (the play time display blinks).  
When pressed again, play resumes from the point where it was paused.

#### Note:

- The following indication may appear when a CD is dirty or scratched, or when the CD is loaded upside down.  
In such a case, check the CD and insert again after cleaning the CD or turning it over.



- Do not use the unit at excessively high or low temperatures. The recommended temperature range is from 5°C (41°F) to 35°C (95°F).

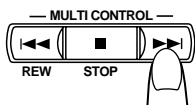
- After playback, unload the CD and close the CD door.
- If mistracking occurs during play, lower the volume.
- Take the disc out of the unit before transporting it.
- Do not place anything other than a CD in the CD player, as this may cause damage to the unit.
- Do not apply shock to the unit or use the unit in an unstable position, otherwise mistracking may occur.

### Skip play

- During play, it is possible to skip forward to the beginning of the next track or back to the beginning of the track being played or the previous track; when the beginning of the required track has been located, play starts automatically.

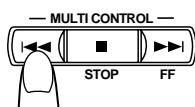
#### To listen to the next track...

Press the button once to skip to the beginning of the next track.



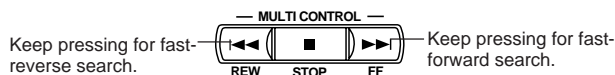
#### To listen to the previous track...

Press the button to skip to the beginning of the track being played. Press twice quickly to skip to the beginning of the previous track.



### Search play (to locate the required position on the CD)

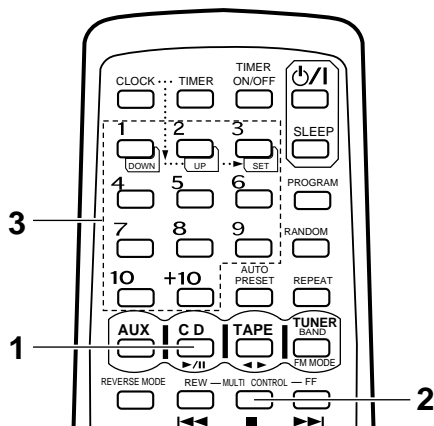
- The required position can be located using fast-forward or reverse search while playing a CD.



- Hold down the button; search play starts slowly and then gradually increases in speed.
- Since low-volume sound (at about one quarter of the normal level) can be heard in the search mode, monitor the sound and release the button when the required position is located.

### Direct access play (using the remote control unit)

- Pressing any of the track number buttons will start play from the beginning of the designated track. (This function cannot be used during programmed play.)



- Press the CD ►/|| button to set to the CD mode.
  - Press the ■ button.
  - Designate the required track using the track number buttons.
    - To designate track numbers 1 to 10, press the track number button corresponding to the track number.
    - To designate track number 11 or higher, press the +10 button\* the required number of times, then a track number button.
 

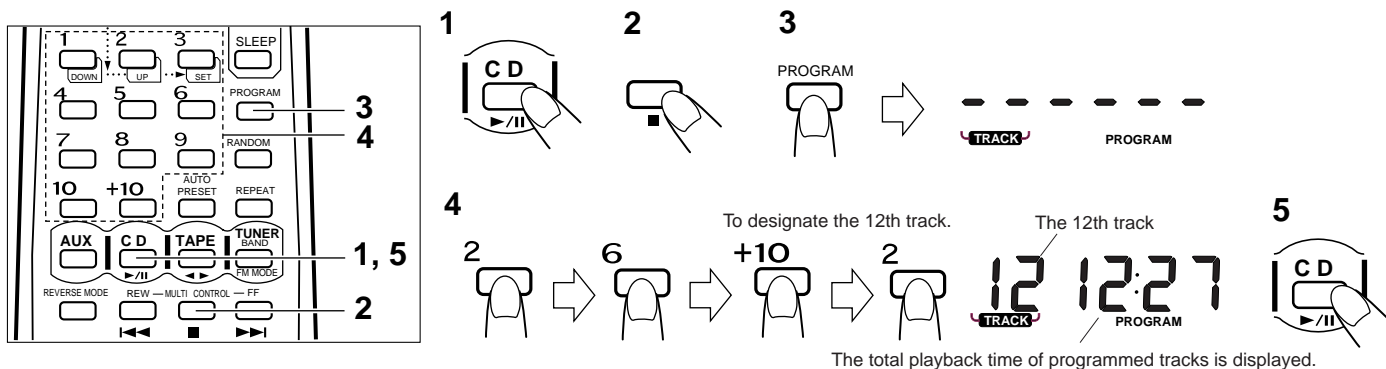
Example:  
 (To designate the 20th track)  
 Press the +10 button once, then press track number button 10.  
 (To designate the 25th track)  
 Press the +10 button twice, then press track number button 5.
- \* +10 button:  
 Each time this button is pressed, the number increases by 10. First press this button to set the 10's digit, then press the track number button to set the 1's digit.

- To skip to another track during play**  
 When the required track number button is pressed, the display shows the designated track number and play starts from the beginning of the designated track.

### Programmed play (using the remote control unit)

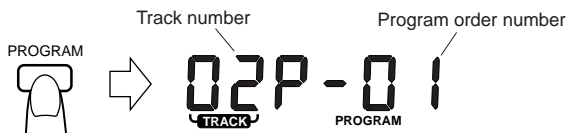
- Up to 20 tracks can be programmed to be played in any required order. The total playing time of programmed tracks is displayed (up to 99 minutes, 59 seconds).

(Example: When programming the 2nd track to be played first, and the 6th track next, then the 12th track, etc.)



- Press the CD ►/|| button to set to the CD mode.
- Press the ■ button.
- Press the PROGRAM button to set to the programming mode.
- Press to designate the required track number. Designate the remaining tracks by pressing the track number buttons.
- Press the CD ►/|| button when programming is completed. Programmed play starts.

**To confirm the details of a program...**  
 Press the PROGRAM button; the tracks making up the program will be displayed in programmed order.



**To clear the programmed tracks...**  
 Press the ■ button before playing a CD. During programmed play, press this button twice. When the CD door is opened, programmed tracks are cleared automatically.

- Notes:**
- If the total playing time of the programmed tracks exceeds 99 minutes 59 seconds, the total playing time indication will go out.
  - No more than 21 tracks can be programmed for playback.
  - When programming tracks to be recorded, the previous step 5 is not needed. Press the ONE TOUCH REC button instead of the CD ►/|| button.
  - If the wrong track number is accidentally pressed, press the ■ button to cancel it and perform the same operation from step 3.
  - If the power is set to STANDBY, the program is erased.



### Repeat play (using the remote control unit)

Press the REPEAT button before or during play. A single track or all the tracks can be repeated.

Whether a single track or all tracks are to be repeated can be specified. Each time the REPEAT button is pressed, the mode will change from single track (⏮), to all tracks (⏮ ALL), to clear mode, in this order.



- **Single track repeat (⏮)**  
The current or specified track will be played repeatedly.
- **All tracks repeat (⏮ ALL)**  
All tracks or the programmed tracks of a CD will be played repeatedly.

### Random play (using the remote control unit)

Press the RANDOM button. "RANDOM" appears in the display window. After all tracks are played back once in random order, playback stops and random play is released.



**Note:**  
Move the unit as far away possible from a TV or other radio set. Otherwise, the CD playback sound will be degraded or the TV picture may be distorted.

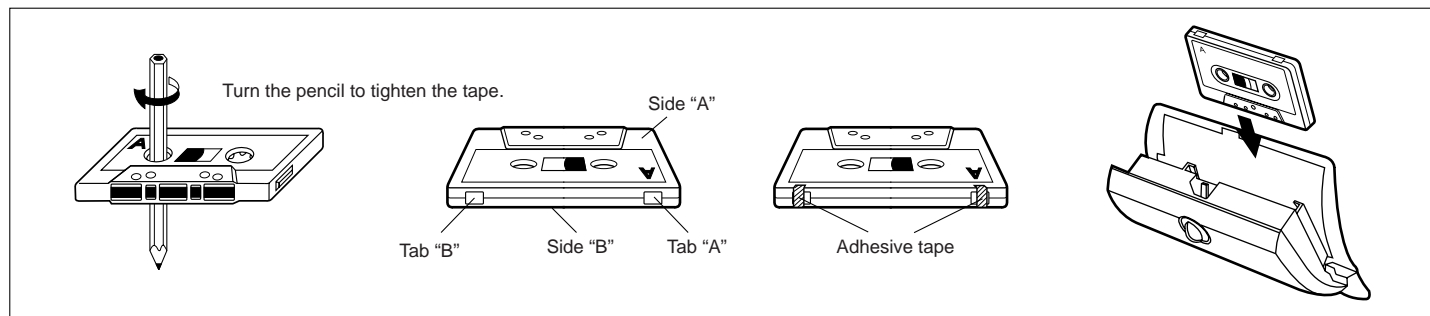
## HANDLING CASSETTE TAPES

### Cassette tapes

1. Loose tape may cause trouble. Using a pencil or similar object, gently tighten the tape as shown.
2. To prevent recordings from being erased accidentally, remove the tab(s) with a screwdriver, etc. Reseal the slots with adhesive tape to erase and re-record after the tabs have been removed.
3. C-120 cassettes are not recommended because they are prone to malfunction.

### Cassette loading

1. Turn the OPEN knob to the left to open the cassette holder.
2. Insert a cassette tape as shown on the next page.
3. Close the cassette holder.

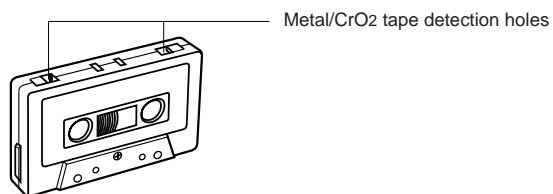


**Note:**  
If the power is switched off while a tape is running, it may be impossible to remove the cassette. If this happens, switch the power on again before attempting to remove the cassette.

### Auto tape select mechanism

This unit has an Auto Tape Select mechanism which distinguishes between different types of tape using detection holes in the cassette. After the type of tape has been detected, bias and equalization suitable for the tape are set.

- Cassettes with detection holes:  
Metal tape (EQ: 70 μs) ..... Type IV  
CrO<sub>2</sub> (chrome) tape (EQ: 70 μs) ..... Type II
- Cassettes without detection holes:  
Normal tape (EQ: 120 μs) ..... Type I

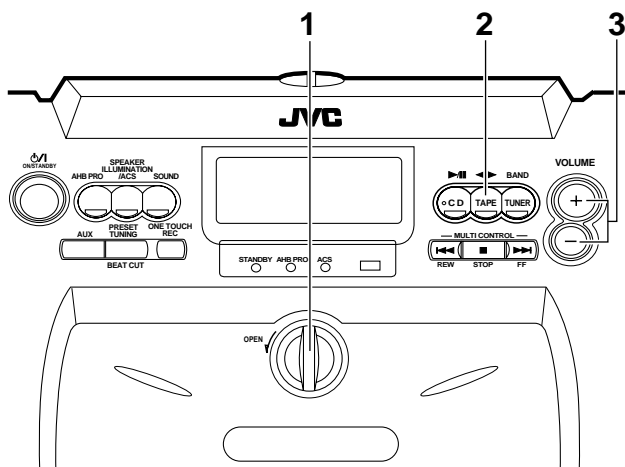


## CASSETTE PLAYBACK



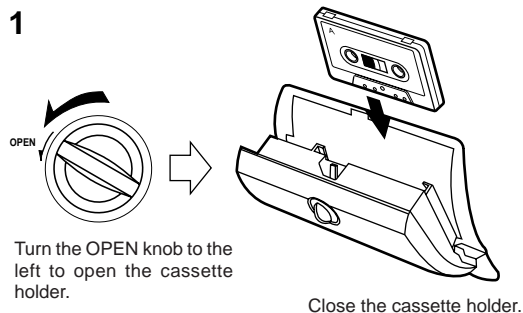
### Operate in the order shown

- When AC power is used  
(When battery power is used, switch on the button first, then perform operation):



- Load a cassette tape with side A facing out.
- Press to start playback. (The power is switched on and the TAPE mode is engaged to start tape playback.)
- Adjust the volume.

- After loading a cassette tape, simply press the TAPE button. The power is switched on and the tape starts playback. (To select the playback direction, press the TAPE button. The change in direction can be checked with the tape direction indicator ( or ).
- When the tape plays back with the reverse mode set to (single side play) or (both sides play) mode, the tape stops automatically at the end of the tape after playing one or both sides. When the reverse mode is set to the (continuous play) mode, the tape continuously plays one side after the other until you stop operation.



### Notes:

- Place the unit on a level surface, otherwise the cassette holder may not open when you turn the OPEN knob.
- Do not turn the OPEN knob until the tape mechanism has stopped moving.
- When no tape is loaded in the deck, its tape playback direction cannot be switched over.

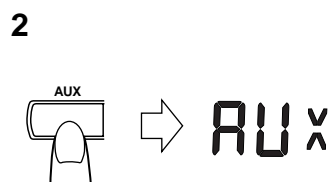
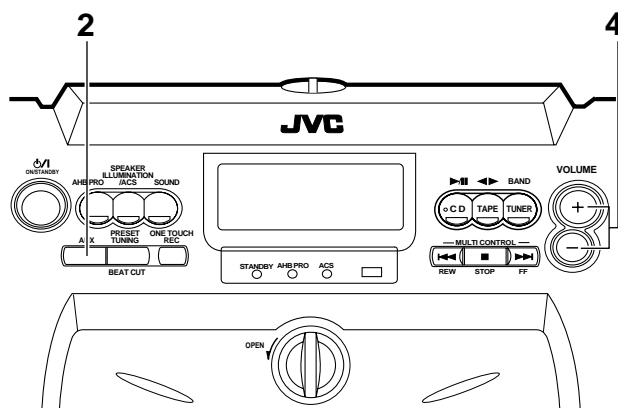
### How to fast-wind tapes

- Press the TAPE button (to set to TAPE mode).
- Press the (REW) or (FF) button.

## USING WITH ANOTHER AUDIO UNIT

### Operate in the order shown

- When AC power is used  
(When battery power is used, switch on the button first, then perform operation):

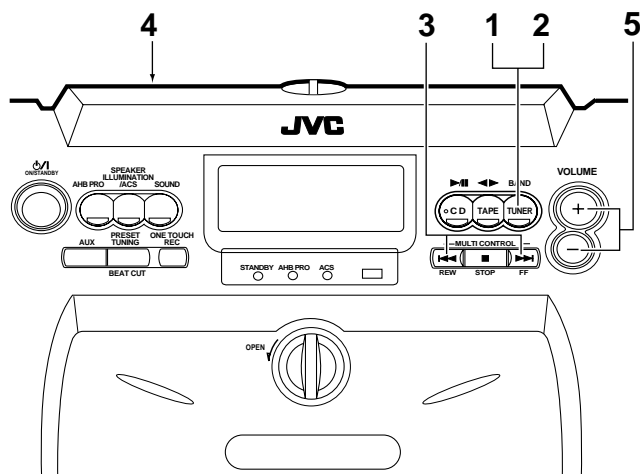


- Connect the audio unit, turntable, MD player, etc. to the AUX IN jack (see page 6).
- Press the AUX button. (The power is switched on and the AUX mode is engaged.)
- Start playback on the connected audio unit.  
(For more details, refer to the instruction manual of the connected audio unit.)
- Adjust the volume.  
(The volume level is displayed in the display window.)



## Operate in the order shown

- When AC power is used  
(When battery power is used, switch on the button first, then perform operation):



- Press the TUNER BAND button.
  - The power is switched on.
- Select the band by pressing the TUNER BAND button.
  - Pressing this button switches between FM stereo, FM mono and AM.
- Tune to the required station.
  - Seek tuning (auto tuning) and manual tuning are available (see "Seek tuning (auto tuning)" and "Manual tuning" on this page for details).
- Adjust the antenna (see page 19).
- Adjust the volume.

## To listen to an FM stereo broadcast

### FM stereo

Set to this position by pressing the TUNER BAND button when listening to or recording an FM broadcast. If an FM stereo broadcast is received, the "STEREO" indicator is lit in the display window, and the FM broadcast can be heard in stereo.

### FM mono

Set to this position by pressing the TUNER BAND button if FM stereo reception is noisy. The "MONO" indicator is lit and the sound becomes monaural, but the reception will be improved.

When another station is tuned in this mode, the "MONO" indicator goes off and the unit returns to FM stereo automatically.

### Note:

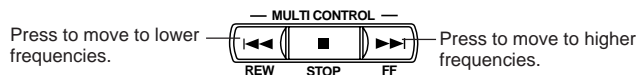
AM broadcasts are monaural.

## Seek tuning (auto tuning)

Press the or button for one second or more. The unit enters the seek tuning mode to tune in the nearest station automatically, so the broadcast can be heard. In AM operation, the frequency moves continuously from the MW to the LW band and vice versa.

## Manual tuning

Each time the or button is pressed, the unit steps through the current frequency band. Tuning is done in steps of 50 kHz for FM and 9 kHz for AM (MW/LW). In AM operation, the tuned frequency moves continuously from the MW (522-1,629 kHz) to the LW (144-288 kHz) band and vice versa.



### Notes:

- When seek tuning to the required station is not possible because the broadcast signal is too weak, press the or button momentarily to perform manual tuning.
- When the power is set to STANDBY, or another mode (TAPE or CD) is selected, the last tuned frequency is stored in memory. When the power is switched on again and TUNER BAND button is pressed, the same station will be tuned to.

## Auto preset tuning

This function scans the current band, detecting frequencies used to broadcast signals, and stores the first 30 FM frequencies and 15 AM (MW/LW) frequencies in memory automatically.

### (Using the main unit)

Press the PRESET TUNING button for more than 2 seconds.

### (Using the remote control unit)

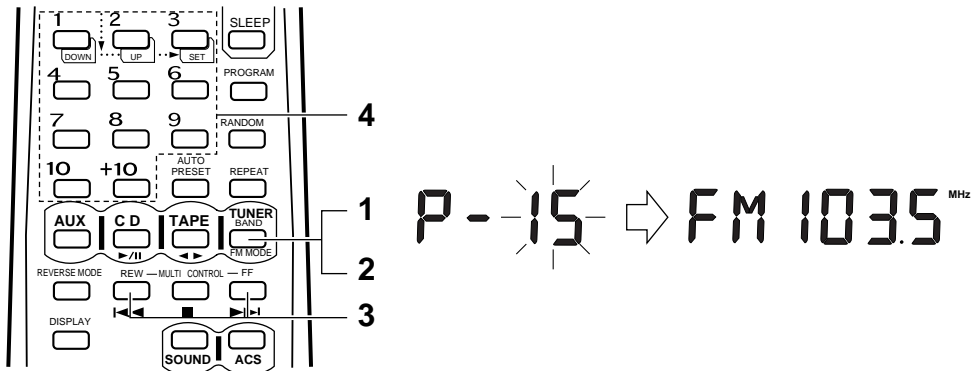
Press the AUTO PRESET button.

The frequencies of stations' broadcasting signals are stored in memory automatically in the order of increasing frequency. (30 stations in FM band and 15 stations in AM (MW/LW) band.)

## Presetting the desired stations (using the remote control unit)

30 stations in the FM band and 15 stations in the AM (MW/LW) band can be preset as follows:

- Example: (Presetting an FM station broadcasting at 103.5 MHz to preset button "15")



- 1 Press the TUNER BAND/FM MODE button.
- 2 Select the FM band using the TUNER BAND/FM MODE button.
- 3 Tune to the required station.
- 4 Press preset button "+10", then "5" for more than 2 sec. (When "15" blinks in the preset station display, the station has been stored.)

- Repeat the previous procedure for each of the other stations, using a different preset button each time.
- Repeat the previous procedure for the other band.

### To change preset stations

Perform step 4 after tuning to the required station.

### Notes:

- The previously stored station is erased when a new station is stored, because the new station's frequency replaces the previous frequency in memory.
- When listening to an AM (MW/LW) broadcast, noise may be heard if the remote control unit is used.

To prevent the preset stations from being erased because of a power failure, etc., install memory back-up batteries in the unit (see page 6).

## Preset station tuning

### (Receiving the preset stations)

- The stations must be preset before this operation can be performed.

### (Using the main unit)

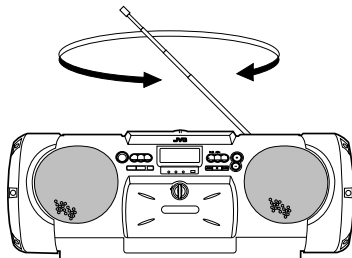
- 1 Press the TUNER BAND button.
- 2 Select the band using the TUNER BAND button.
- 3 Each time the PRESET TUNING button is pressed, the next preset station is selected.

### (Using the remote control unit)

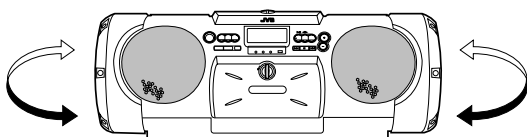
- 1 Press the TUNER BAND/FM MODE button.
  - 2 Select the band using the TUNER BAND/FM MODE button.
  - 3 Press the required preset station buttons (No. 1 – No. 10 and +10).
- The preset station number and frequency corresponding to the button pressed are shown.

## Using the antennas

FM



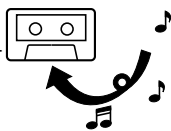
AM (MW/LW)



- FM:** Adjust the telescopic antenna's length, angle and direction until optimum reception is received.
- AM (MW/LW):** Install the unit where suitable reception is possible (beside a window, etc.) or change the direction of the unit.

### Note:

The built-in ferrite core antenna can pick up interference from television receivers in the neighborhood and thereby disturb AM (MW/LW) reception.



- During recording, the ALC (Automatic Level Control) circuit automatically optimizes the recording level, so manual recording level adjustment is unnecessary.
- Check that the safety tab on the cassette tape is not broken off.

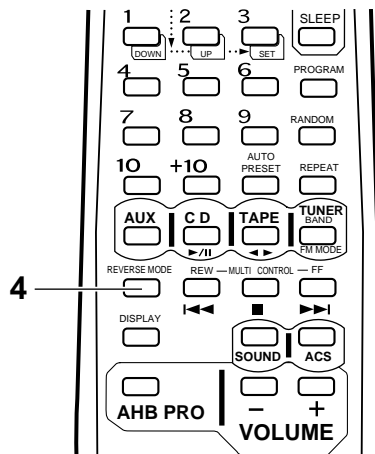
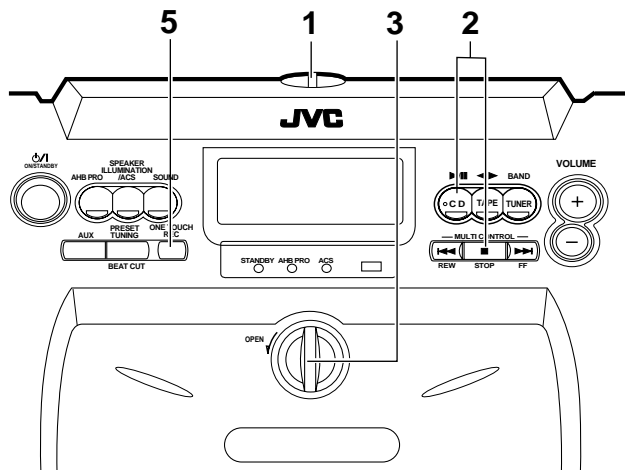
**Note:**

This unit has recording characteristics suitable for normal and CrO<sub>2</sub> tapes. Normal and CrO<sub>2</sub> tapes have different characteristics from metal tapes.

**Synchronized recording with the CD player**

- In this system, the CD player starts play when the cassette deck enters the recording mode.

**Operate in the order shown**



- 1 Load a CD and close the CD door.
- 2 Press the CD ►/|| button to engage the CD mode, then press the ■ STOP button to enter the stop mode.
- 3 Load a cassette with side A facing out. (Wind past the tape leader before starting recording.)
  - Make sure the tape direction is set to ► (forward direction).
- 4 Select the required reverse mode (◄ or ►) using the remote control unit.
  - When programmed play is required, program the required tracks using the remote control. (See page 15.)
  - Select tracks with a total playing time which does not exceed the tape length (refer to the liner notes).
- 5 Press the ONE TOUCH REC button; synchronized recording will start.
  - Recording starts in the forward direction and CD play starts automatically.
  - The forward direction indicator (►) blinks and the REC indicator lights up in the display window.

- Non-recorded sections of approx. 4 seconds are automatically left between tunes.
- When the CD player stops, the tape deck stops automatically.
- To stop recording in the middle, press the ■ STOP button. The cassette deck also stops after 4 seconds.

**Notes:**

- During CD synchro recording, the CD ►/|| and (◄, ►) buttons do not function.
- If a recording is completed in the reverse direction (◄), it is possible to continue recording without changing the direction to forward (►), until the tape ends.
- If continuous play (◄) is selected, a recording in the reverse direction (◄) automatically stops at the end of the tape. The ► indicator appears in the display window during recording.

**• CD complete recording function (Synchro recording mode only)**

If the tape is reversed while a CD is being played, recording will be done on the reverse side of the tape as follows:

- \* When less than 10 seconds of the last tune on the forward side of the tape have been recorded, recording on the other side of the tape will start from the beginning of the previous track.
- \* When more than 10 seconds of the last tune on the forward side of the tape have been recorded, recording on the other side of the tape will start from the beginning of the current track.

**Useful functions for recording**

**When the tape direction is set to ◄ (reverse direction) after a cassette tape is inserted...**

- 1 Press the TAPE ◄► button twice to change the tape direction to ► (forward direction).
- 2 Press the ■ STOP button.
- 3 Change the mode to CD by pressing the CD ►/|| button. (If a non-recorded tape with side A facing out is recorded in the reverse direction (◄), the recording is stopped immediately.)

**When non-recorded sections between tunes are not required...**

- 1 Press the CD ►/|| button twice. The CD player enters the pause mode.
- 2 Press the ONE TOUCH REC button to start recording.

**Note:**

- Depending on the CD used, non-recorded sections of different lengths may be left between tunes.

**To record one track...**

Play the track to be recorded. Then, press the ONE TOUCH REC button to locate the beginning of the track and enter the one track recording mode. After the recording is finished, the CD player and cassette deck both stop.

**To record only on side B or in the middle of a tape...**

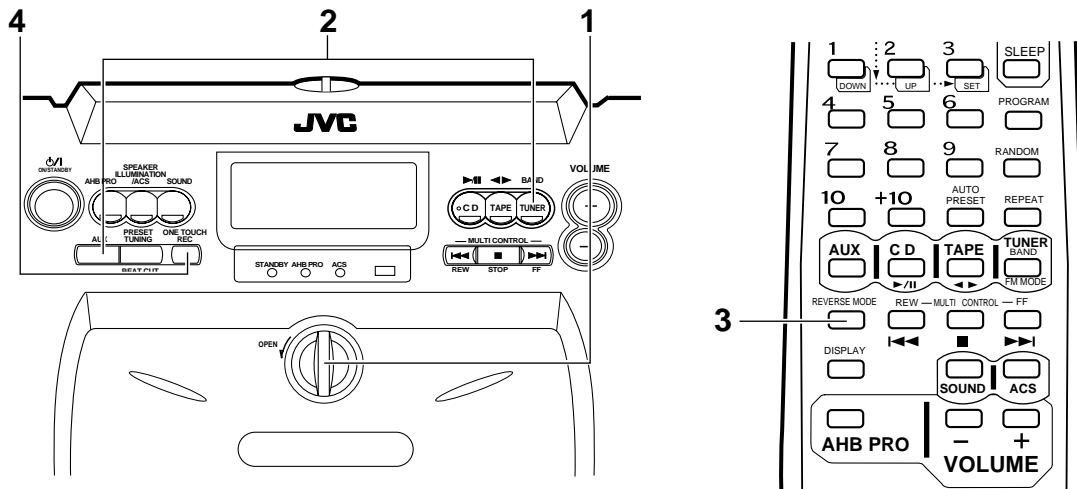
- 1 Load the cassette with the required side facing out.
- 2 Set the reverse mode to ◄ with the remote control unit.
- 3 Press the ONE TOUCH REC button on the main unit. Synchronized recording starts and the cassette deck stops automatically when CD playback is completed.

**How to rewind a tape**

- 1 Press the TAPE ◄► button (to set to TAPE mode).
- 2 Press the ■ STOP button.
- 3 Press the ◄◄ (REW) button.

## Recording from the radio or an external source connected to the AUX IN terminals

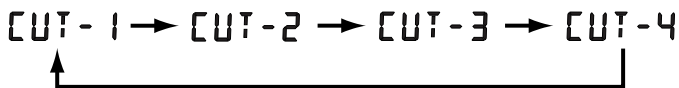
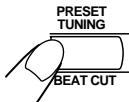
Operate in the order shown



- 1 Load a cassette with side A facing out.  
(Wind past the tape leader before starting recording.)
  - Make sure the tape direction is set to ► (forward direction).
- 2 Select the source to be recorded.  
TUNER: Press the TUNER BAND/FM MODE button.  
Tune to the required station.  
AUX: Press the AUX button.
- 3 Select the desired reverse mode.
- 4 Press the ONE TOUCH REC button.
  - The recording starts from the beginning of side A.

### BEAT CUT button

When recording an AM broadcast, beats may be produced which are not heard when listening to the broadcast. In such case, set this button after setting the deck to the record mode so that the beats are eliminated. Normally set this button to "CUT-1".



### Erasing

A recorded tape can be erased by recording new material over the previous material.

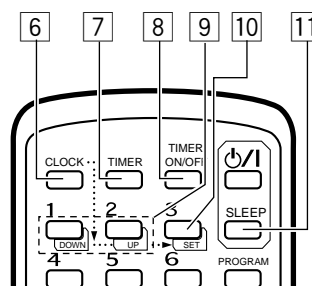
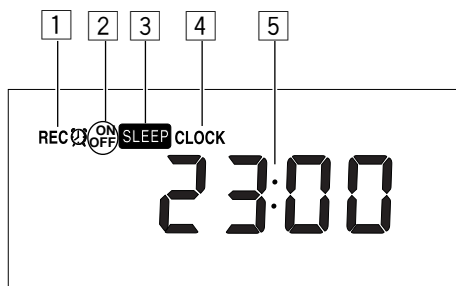
#### To erase a tape without making a new recording.....

1. Press the TAPE ◀▶ button to set to the TAPE mode.
2. Insert the cassette to be erased facing out.
3. Press the ONE TOUCH REC button.

It should be noted that it may be unlawful to re-record pre-recorded tapes, records, or discs without the consent of the owner of copyright in the sound or video recording, broadcast or cable program and in any literary, dramatic, musical, or artistic work embodied therein.

## CLOCK ADJUSTMENT (USING THE REMOTE CONTROL UNIT)

Names of parts in the clock/timer section, and their functions:

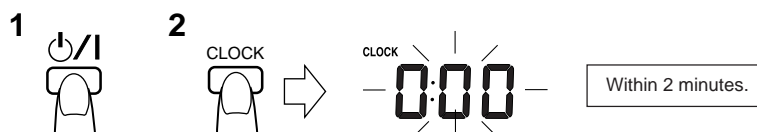


- 1 Timer mode indicator
- 2 Timer indicator (ON/OFF)
- 3 SLEEP indicator
- 4 CLOCK indicator
- 5 Time display

- 6 CLOCK button
- 7 TIMER button
- 8 TIMER ON/OFF button
- 9 DOWN/UP buttons
- 10 SET button
- 11 SLEEP button

### Setting the current time (when this unit is used for the first time)

(Example: To set the clock to 13:15.)



- 1 Set the button to ON.
  - 2 Press the CLOCK button; "0:00" will blink in the display.
  - 3 Set to 13:15 by pressing the DOWN/UP buttons.  
(When the button is kept pressed, the minute/hour indication changes continuously.)
  - 4 Press the SET button; the time will light in the display.
- To set to the nearest second...  
Press the SET button when you hear the time signal from a TV or radio.

- **To confirm the time while listening to a CD or radio broadcast**  
Press the DISPLAY button briefly on the remote control unit. Press it again to return to the previous display.

#### Notes:

- Before performing timer recording or playback, it is necessary to set the current time.
- If memory back-up batteries are exhausted or not installed, and the power cord is plugged in again after being disconnected, or power is restored after a power failure, "CLOCK" will blink in the display. Set the current time again.

## TIMER OPERATIONS (USING THE REMOTE CONTROL UNIT)

### Setting the timer

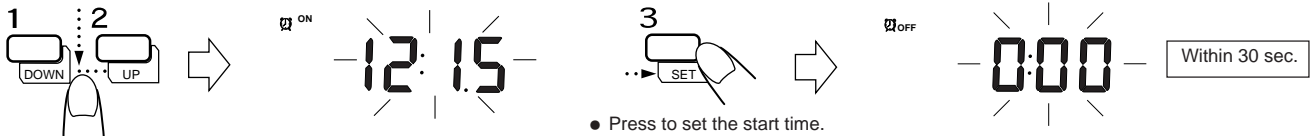
- The current time must be set before the timer can be used.

1 Set the button to ON.

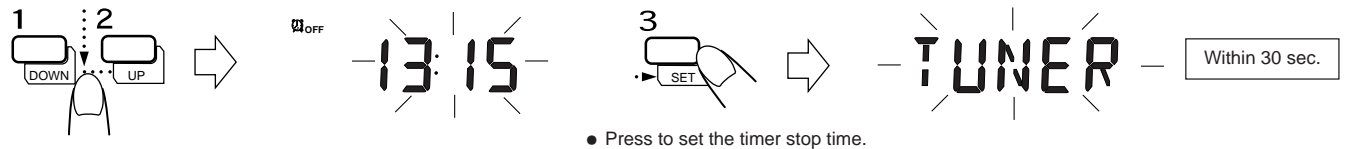
2 Press the TIMER button.



3 Set the start time.  
(Example: To set the timer to 12:15.)

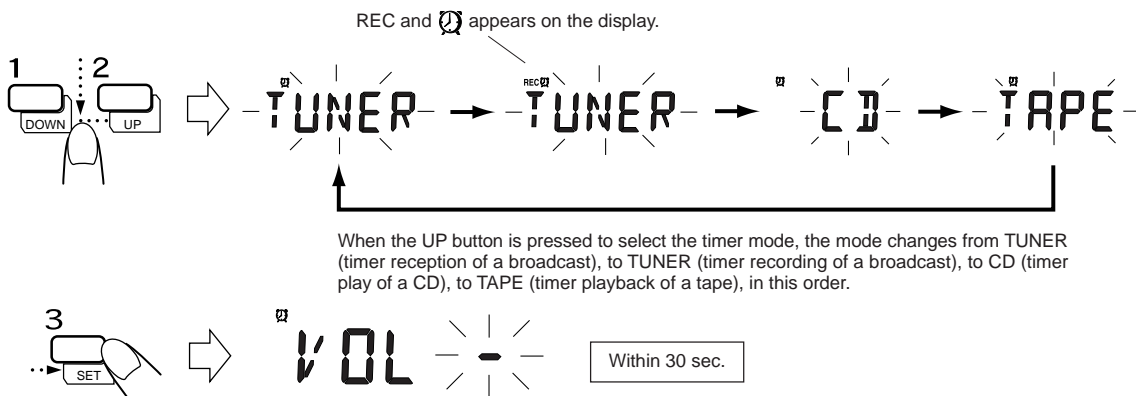


4 Set the stop time.  
(Example: To set the timer stop time to 13:15.)

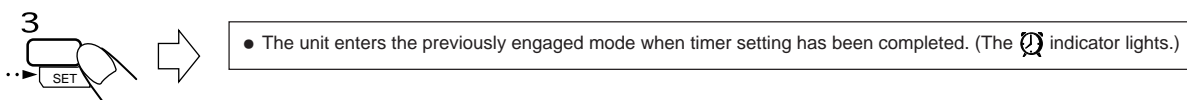
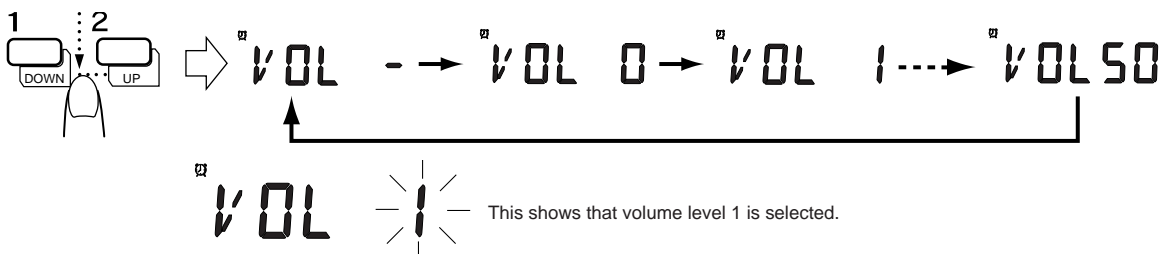


5 Select the TIMER mode.

- The selected timer mode is shown in the display.



6 Set the volume.



- When the volume setting is set to "VOL -" (volume level is not specified), the timer playback volume is at the level used before setting the timer.

#### • To confirm the timer setting

1. Press the SET button after pressing the TIMER button.  
Each time the SET button is pressed, the timer setting can be confirmed.
2. When the previously engaged mode is displayed, timer setting has been completed.

#### Note:

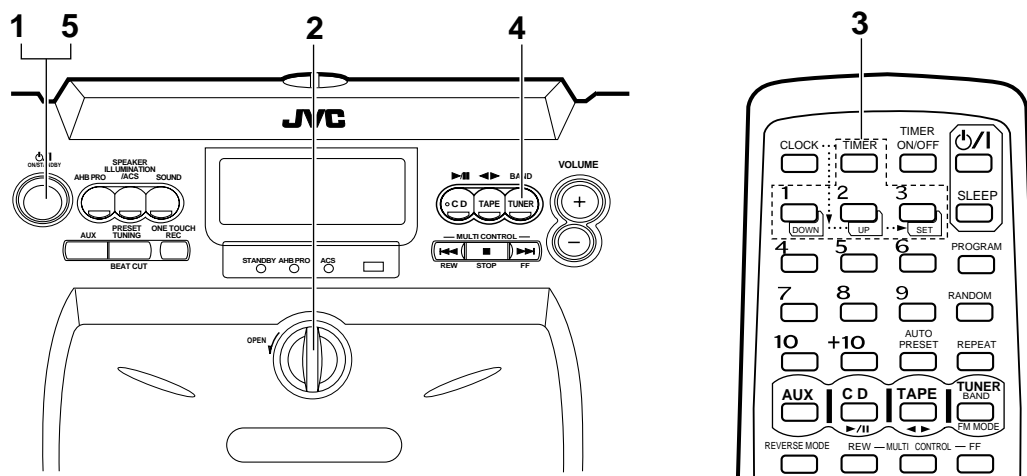
- When the timer is set incorrectly or the correct mode is not selected, perform "Setting the timer" from the beginning.



## Timer recording of broadcast

- The current time must be set before the timer can be used.
- Make sure that the safety tabs of the cassette have not been broken off.

## Operations



- 1 Set the button to ON.
  - 2 Load a cassette.
    - Insert the cassette with the side to be recorded facing out.
    - Select the required reverse mode ( or ).
    - Set the tape direction to (forward) by pressing the TAPE button.
  - 3 Set the timer. (Refer to "Setting the timer" on page 23.)
    - Set the timer about a minute before the broadcast to be recorded is scheduled to start.
  - 4 Tune to the station to be recorded. (Refer to page 18.)
  - 5 Set the button to standby.
    - Confirm that the timer mode indicator (REC ) is displayed in the display window.
- **Timer recording will start at timer start time and the power will be switched off at timer stop time.** (The timer mode is then released.)
  - **To repeat timer recording every day**  
Press the TIMER ON/OFF button to display the timer mode indicator (REC ) in the display window.

### ● To cancel timer operation

Press the TIMER ON/OFF button so that the timer mode indicator (REC ) goes out.  
If you do this, timer recording will not start at the timer start time.

### Notes:

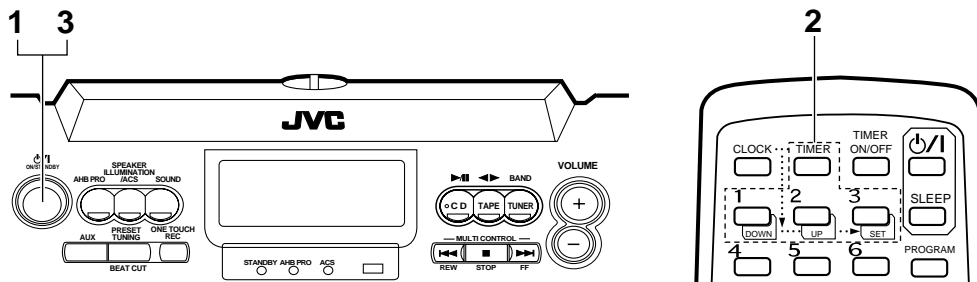
Once the timer has been set, the start and stop times, etc., are stored in memory. When timer recording or playback is required at different times, the timer must be set again.

- After setting the timer start and stop times, check that the tuner is tuned to the required frequency.
- If memory back-up batteries are exhausted or not installed, and the power cord is disconnected or there is a power failure, timer settings will be erased from memory. If this happens, set the current time and perform the timer setting again.

## Timer playback

- Timer playback of tapes, broadcasts and CDs is possible.

### Operations



- 1 Set the button to ON.
- 2 Set the timer. (Refer to "Setting the timer" on page 23.)

Source sound	Timer mode	Operations
CD play	CD	Load a disc.
Tape playback	TAPE	Load a cassette tape.
Broadcast	TUNER	Tune to the required station.

- 3 Set the button to STANDBY.

- Timer playback will start at the timer start time and the power will be switched off at the timer stop time. The unit remains in the same timer mode even after the power is switched off. The same timer mode will repeat at the same time on the following day.
- When the timer mode is activated, the "Q" indicator blinks.
- When the power is switched on, the sound is faded up from volume level 0 (zero) to the preset volume.

#### To cancel timer operation

- Press the TIMER ON/OFF button so that the timer mode indicator () goes out.

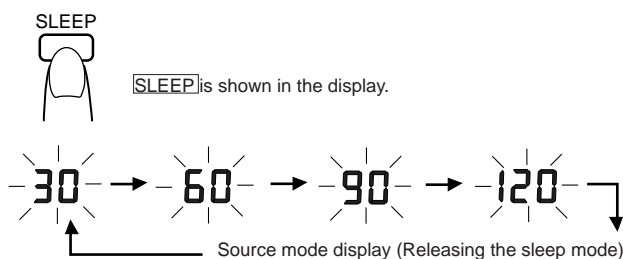
#### Notes:

- When the volume setting is set to "VOL -" (volume level is not specified), the timer playback volume is at the level used before setting the timer. (In this case, the fade-in mode does not function.)
- To stop during timer playback, press the button to switch the unit off.

## Sleep timer operations (using the remote control unit)

### A. Use this when you want to fall asleep while listening to a tape, broadcast or CD.

- 1 Set to the required source and tune in a broadcast or play back a CD or tape.
- 2 Press the SLEEP button to set the sleep time.

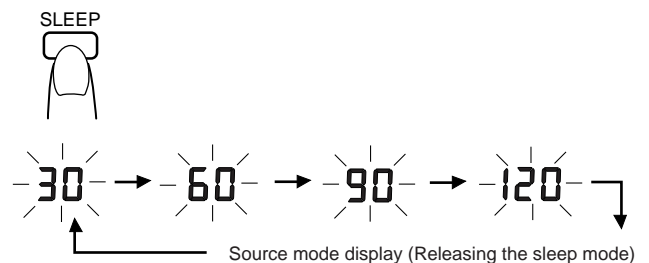


- Sleep time settings of 30, 60, 90 or 120 minutes can be set. When you release the SLEEP button, the source is displayed after 5 sec.

- The sleep timer operation will start and the power will be switched off after the specified time.
- **Checking the sleep time**  
When the SLEEP button is pressed, the remaining sleep time is displayed. If it is pressed again, a new sleep time can be set.
- **To cancel the sleep timer operation**  
Press the button to switch the power off or press the SLEEP button until the sleep time indicator disappears.

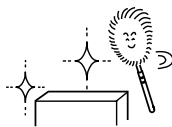
### B. To fall asleep while listening to a tape, broadcast or CD and to perform timer playback the following morning

- 1 Set the timer. (Refer to "Setting the timer" on page 23.)
- 2 Set to the required source (tape, broadcast or CD).
- 3 Press the SLEEP button to set the sleep time.



- Any source can be selected for sleep timer operation and timer playback. For example;
  - CD play for sleep timer operation and broadcast reception for timer playback.
  - Tuner play for sleep timer operation and CD play for timer playback.

However, when broadcast reception is selected for both sleep timer operation and timer playback, the station you heard at night will be tuned to the following morning.



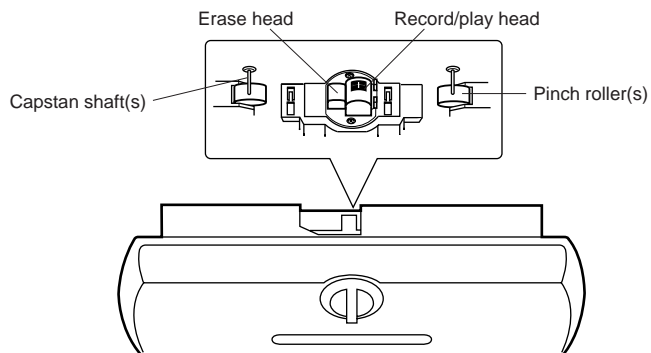
**Cleaning is important!**

When the tape is running, magnetic powder and dust naturally accumulate on the heads, capstan and pinch roller. When they become too dirty...

- Sound quality deteriorates.
  - The output sound level drops.
  - Previously recorded tape is not completely erased.
  - Recording is not performed satisfactorily.
- Therefore, you should clean the heads, etc. after every 10 hours of use for optimal recording conditions.

**Cleaning the heads, capstan and pinch roller**

Open the cassette holder.  
Clean the heads, pinch roller and capstan.  
For effective cleaning, use a cleaning kit available from an audio store.  
After cleaning, be sure that the cleaning fluid has dried completely before loading a cassette.



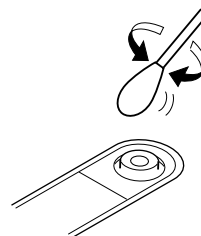
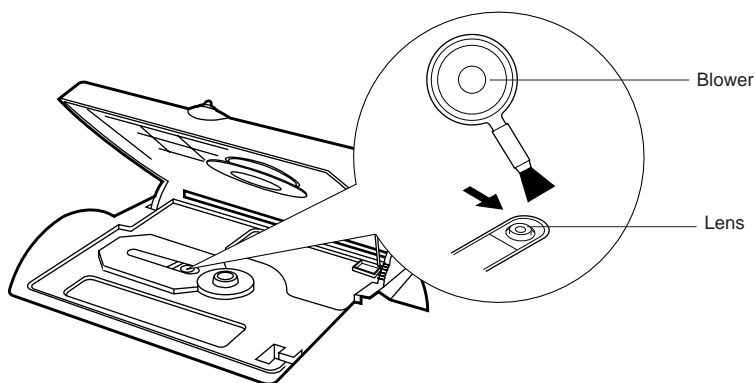
**Cautions:**

1. Keep magnets and metallic objects away from the head.  
If the head becomes magnetized, noise will increase and the sound will deteriorate. Demagnetize the head every 20-30 hours of use with a head eraser (available from an audio store). (When demagnetizing the head, the  $\text{P/I}$  button should be set to STANDBY.)
2. Do not use anything other than alcohol for cleaning.  
Thinner and benzine will damage the rubber pinch roller.

**Cleaning the lens**

If the lens in the CD pickup is dirty, dropout, etc., could degrade sound.  
Open the CD door and clean the lens as shown.

- Use a blower (available from a camera store) to blow dust off the lens.
- If there are fingerprints, etc. on the lens, gently wipe clean with a cotton swab.



## TROUBLESHOOTING



What appears to be trouble is not always serious. First make sure....

- **Power cannot be turned on.**
  - \* Is the power cord unplugged?
- **No sound from the speakers.**
  - \* Are headphones connected?
- **Clock time is blinking in the display.**
  - \* Was there a power failure?
  - \* Was the power cord unplugged while the memory back-up batteries were not installed?

(CD Player Section)

- **The CD player does not play.**
  - \* Is the CD upside down?
  - \* Is the CD dirty?
  - \* Is there condensation on the lens? (See "Cleaning the lens" on page 26.)
- **A certain portion of the CD does not play correctly.**
  - \* Is the CD scratched?
  - \* Is there condensation on the lens?
- **Operation stops.**
  - \* Switch to STANDBY and then to ON again.

(Cassette Deck Section)

- **Playback sound is at a very low level.**
  - \* Is the head dirty?
- **The ONE TOUCH REC button does not function.**
  - \* Have the safety tabs of the cassette been broken off?

(Tuner Section)

- **Reception is noisy.**
  - \* Try adjusting the antenna.
  - \* Is there a TV set or computer device near the unit?

(Timer Section)

- **Timer operation does not start.**
  - \* Is the current time set correctly?
  - \* Is the timer mode indicator (🕒) displayed?

(Remote Control)

- **Remote control is impossible.**
  - \* Are the batteries in the remote control exhausted?
  - \* Is the remote sensor section exposed to bright light (direct sunlight, etc.)?

Notes:

- **When the above remedies do not help**

Many operations of this unit are performed by the control of a microprocessor. If none of the buttons function, unplug the power cord and remove all the batteries, wait for a while, then load the batteries again and plug it back in. Reset the correct values for the clock and timer.
- Before making an important recording, be sure to make a test recording first to check that the deck, etc. is working correctly.

## SPECIFICATIONS

### CD player section

Type	: Compact disc player
Signal detection system	: Non-contact optical pickup
Number of channels	: 2 channels
Frequency response	: 20 Hz - 20,000 Hz
Signal-to-noise ratio	: 90 dB
Wow & flutter	: Less than measurable limit

### Radio section

Frequency range	: FM 87.5 - 108 MHz AM: (MW) 522 - 1,629 kHz (LW) 144-288 kHz
Antennas	: Telescopic antenna for FM Ferrite core antenna for AM (MW/LW)

### Tape deck section

Track system	: 4-track 2-channel stereo
Motor	: Electronic governor DC motor for capstan
Heads	: Hard permalloy head for recording/playback, 2 gap ferrite head for erasure (Combination head)
Frequency response	: 60 - 14,000 Hz (with CrO <sub>2</sub> tape)
Wow & flutter	: 0.15% (WRMS)
Fast wind time	: Approx. 150 sec (C-60 cassette)

### General

Speakers	Full range: 10 cm x 2 (4 Ω)
(Impedance)	: (Max.)
Power output	: 26 W (13 W +13 W) at 4 Ω (10% THD) 20 W (10 W + 10 W) at 4 Ω
Input terminals	: AUX IN (300 mV/47 kΩ)
Output terminals	: PHONES (Output level: 0 - 12 mW/ch, 32 Ω, Matching impedance: 16 Ω - 1 kΩ)
Power requirements	: AC 230 V, 50 Hz DC 12 V ("R20/D (13F)" batteries x 8) Ext. DC 12 V (car battery via optional CA-R120E car adapter)
Power consumption	: 27 W (with ⏻/I SW ON) 3.0 W (with ⏻/I SW STANDBY)
Dimensions	: 541 (W) x 215 (H) x 259 (D) mm, including knobs
Mass	: 6.3 kg (without batteries) 7.2 kg (with batteries)
Accessories provided	: AC power cord x 1 Remote control unit (RM-RXVB55E) x 1 R6/AA (15F) batteries x 2 Shoulder strap x 1

Design and specifications are subject to change without notice.

